

Installation/Care/Use Manual

USES HFC-134A REFRIGERANT

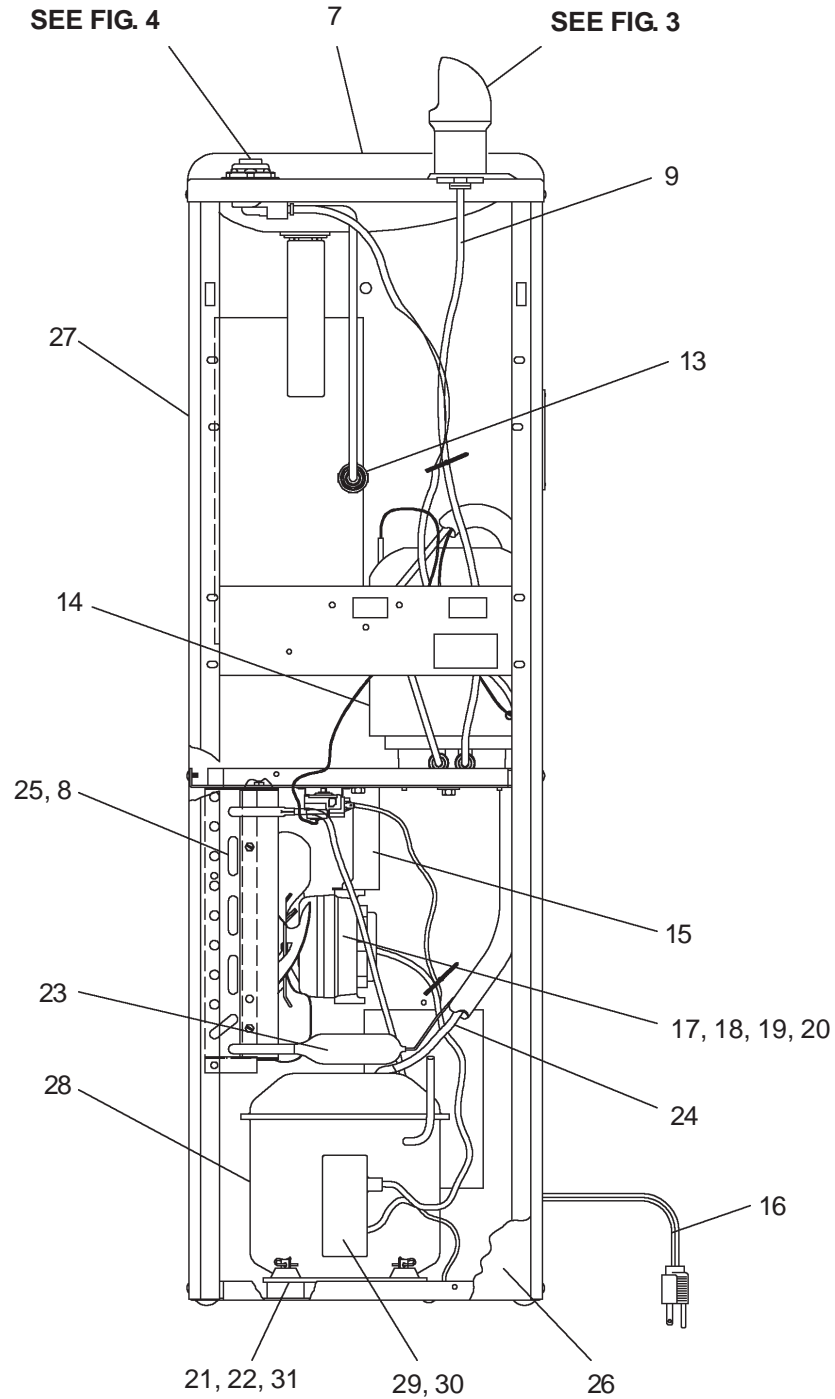


FIG. 1

Note: When installing replacement bubbler, tighten nut (Item 12) only to hold parts snug in position. **Do not over tighten.**

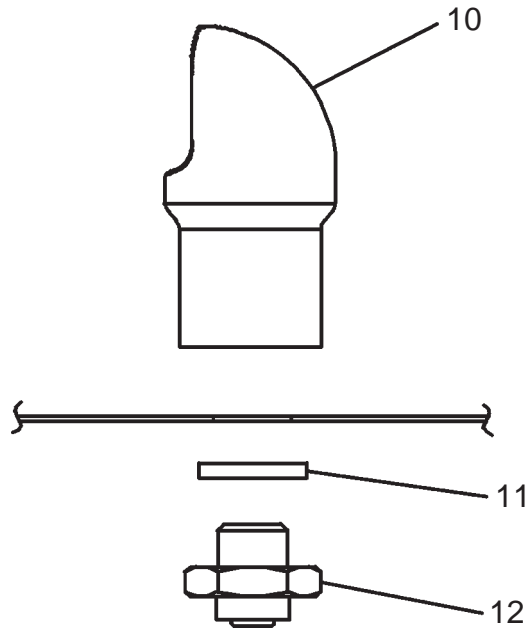


FIG. 3

Stream height is factory set at 35 PSI. If supply pressure varies greatly from this, remove Items 1 & 2 and adjust screw on Item 4. Clockwise adjustment will raise stream and counter-clockwise adjustment will lower stream. For best adjustment, stream should hit basin approximately 6-1/2" (165mm) from bubbler.

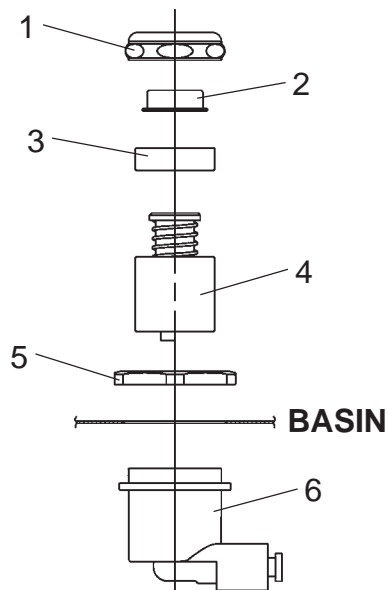
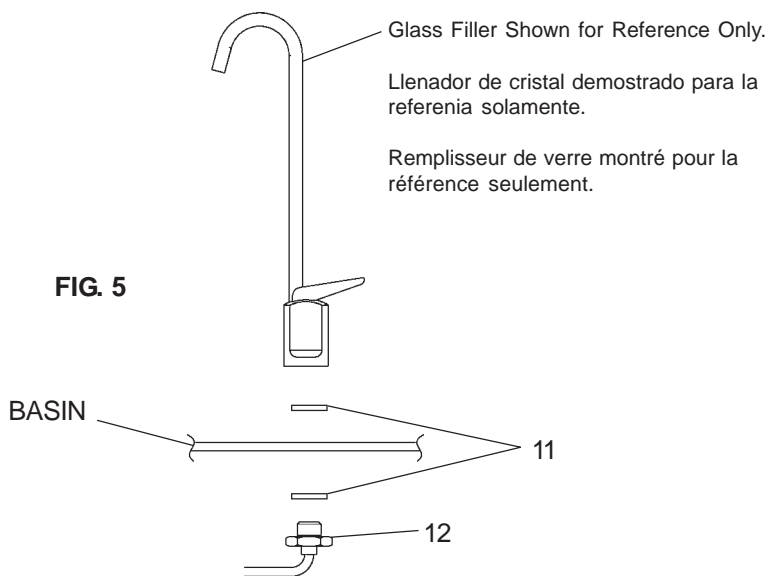


FIG. 4

PARTS LIST 115V		
ITEM NO.	PARTNO.	DESCRIPTION
1	40089C	Cover
2	40048C	Button
3	15005C	Regulator Retaining Nut
4	61313C	Regulator
5	40169C	Hex Nut
6	50986C	Regulator Holder
7	21781C	Basin & Drain Assy.
	21782C	Basin & Drain Assy. (GF)
8	50189C	Fan - Shroud
9	56092C	Poly Tubing (Cut To Length)
10	98118C	Bubbler Assembly
11	100322740560	Washer
12	15009C	Bubbler Nipple
13	55996C	Strainer
14	66506C	Evaporator Assy
15	31513C	Cold Control
16	31501C	Power Cord
17	31490C	Fan Motor
18	30664C	Fan Blade
19	70018C	Fan Blade Nut
20	20282C	Fan Motor Bracket
21	50144C	Grommet - Compressor Mtg.
22	19037000	Clip - Compressor Mtg.
23	66203C	Drier
24	66558C	Heat Exchanger
25	66305C	Condenser
26	20460C	Front Panel (Stainless Steel)
	21482C	Front Panel (Sandalwood)
27	21239C	Cabinet (Stainless Steel)
	21486C	Cabinet (Sandalwood)
*28	35774C	Compressor Serv. Pak FF10HBK
29	31797C	Cover - Relay
30	31029C	Overload/Relay Assy.
31	75670C	Stud - Compressor Mtg.

*REPLACE WITH SAME COMPRESSOR USED IN ORIGINAL ASSEMBLY.
 NOTE: All correspondence pertaining to ELKAY water coolers or orders for repair parts MUST include Model No. and Serial No. of cooler, name and part number of replacement part.



REPAIR SERVICE INFORMATION TOLL FREE NUMBER 1.800.260.6640
 FOR PARTS, CONTACT YOUR LOCAL DISTRIBUTOR OR CALL 1.800.323.0620

PRINTED IN U.S.A.

ELKAY MANUFACTURING COMPANY • 2222 CAMDEN COURT • OAK BROOK, IL 60523 • 630.574.8484