

Installation/Care/Use Manual

USES HFC-134A REFRIGERANT

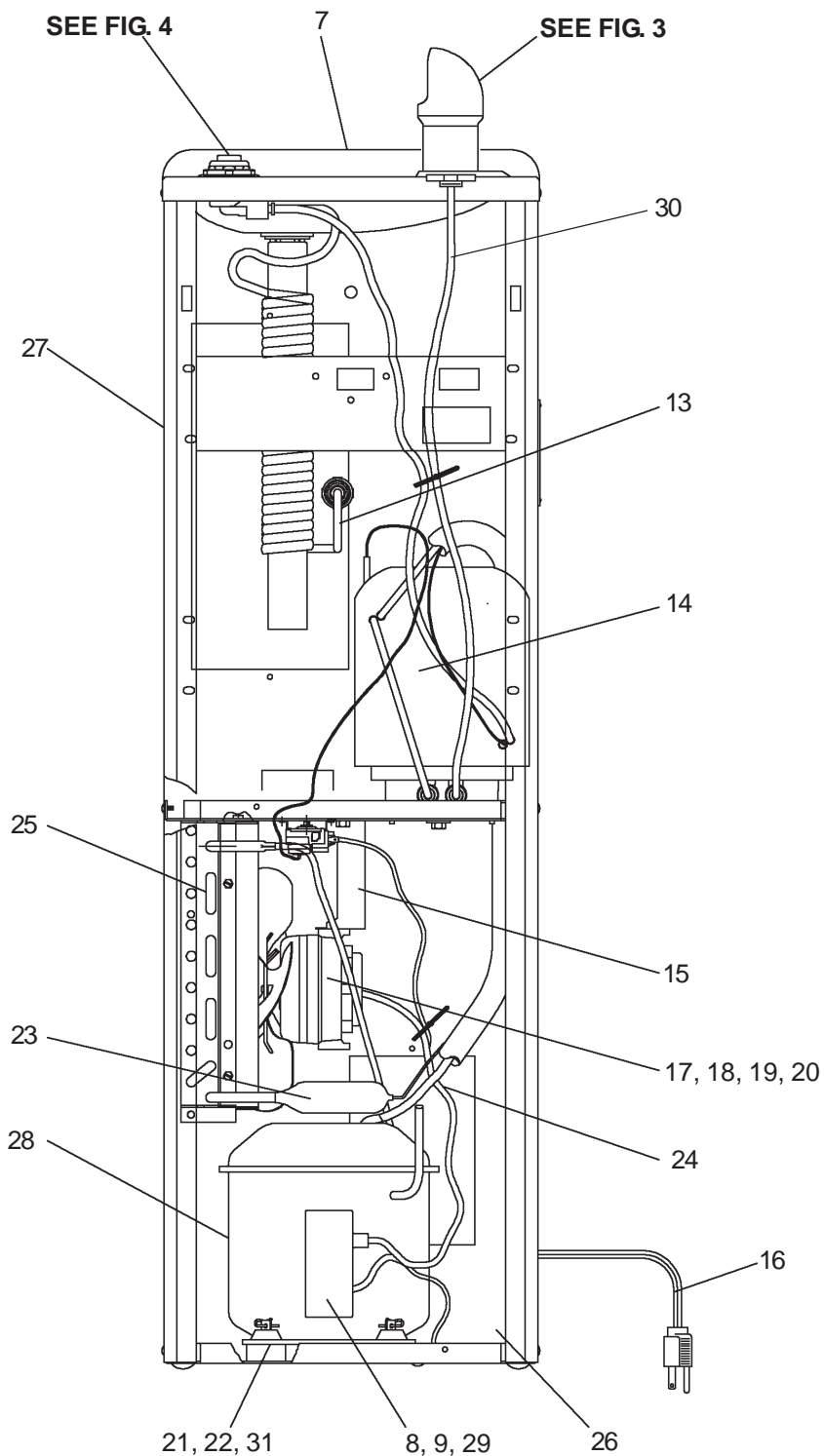


FIG. 1

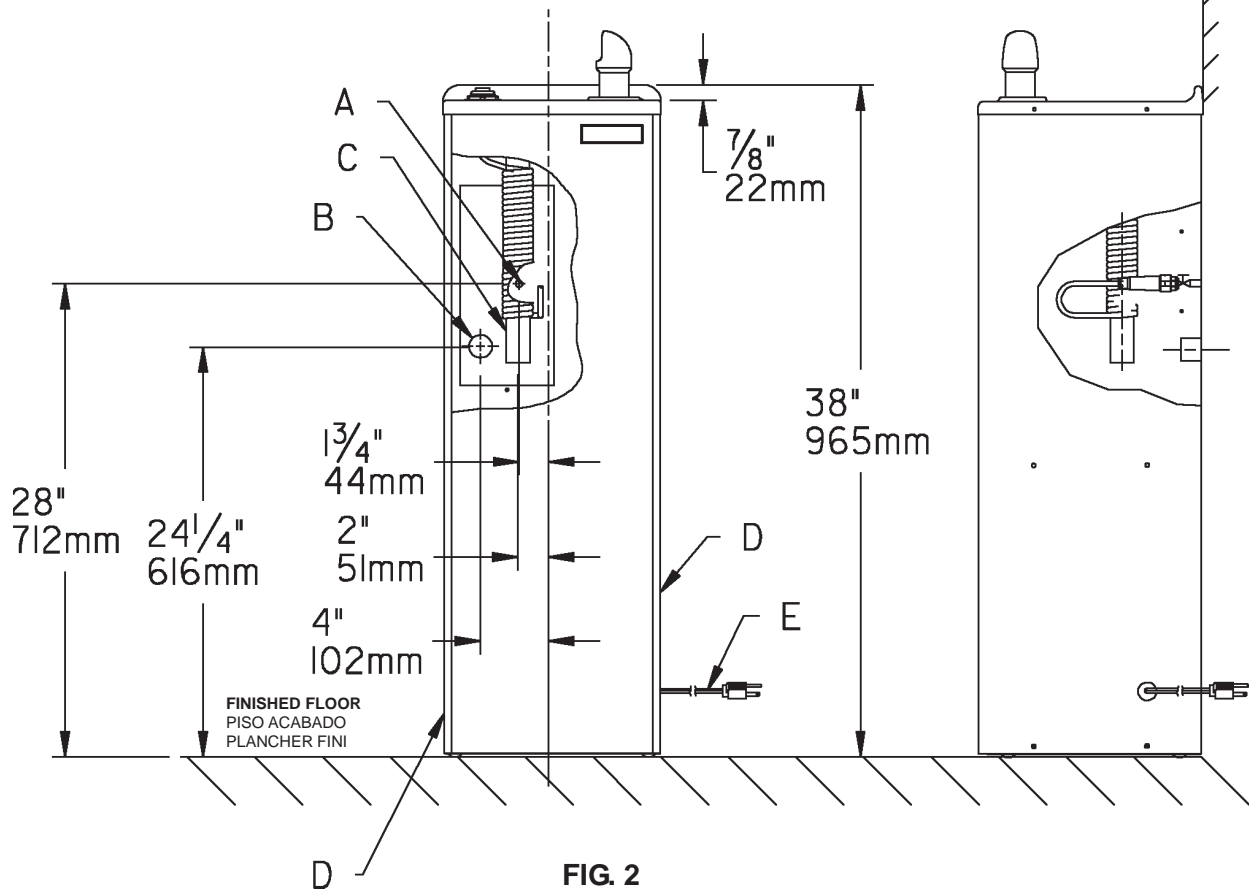
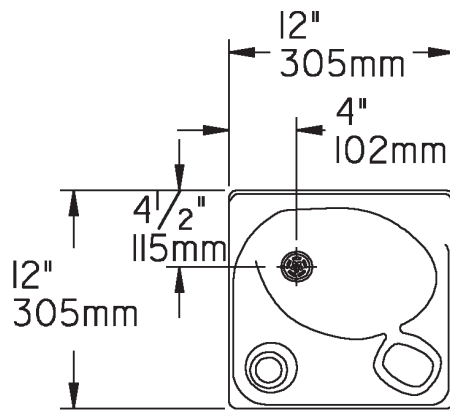


FIG. 2

LEGEND/LEYENDA/LÉGENDE

A = RECOMMENDED WATER SUPPLY LOCATION 3/8 O.D. UNPLATED COPPER TUBE CONNECT STUB 1-1/2" (38mm) OUT FROM WALL. SHUT OFF BY OTHERS

SE RECOMIENDA UBICAR EL TUBO DE CONEXIÓN AL TUBO DE COBRE SIN CHAPAR DE 3/8" DE DIAM. EXT. A 1-1/2" (38mm) FUERA DE LA LLAVA DE PASO EN LA PARED COLOCADA POR TERCEROS.

EMPLACEMENT RECOMMANDÉ D'ALIMENTATION EN EAU PAR TUBE EN CUIVRE NON PLAQUÉ DE 3/8 PO. (9,5mm) D.E. CONNECTANT UNE TUYAUTERIE DE 1-1/2 PO. (38mm) DEPUIS LE ROBINET D'ARRÊT FOURNI PAR D'AUTRES.

B = RECOMMENDED LOCATION FOR WASTE OUTLET 1-1/4" O.D. DRAIN

UBICACIÓN RECOMENDADA PARA EL DRENAJE DE SALIDA DE AGUA, DE 1-1/4" DE DIÁMETRO.

EMPLACEMENT RECOMMANDÉ POUR LE DRAIN DE D.E. 1-1/4" DE SORTIE D'EAU.

C = 1-1/4 TRAP NOT FURNISHED

PURGADOR DE 1-1/4 NO PROPORCIONADO

SIPHON 1-1/4 NON FOURNI

D = INSURE PROPER VENTILATION BY MAINTAINING 4" (102mm) (MIN.) CLEARANCE FROM CABINET LOUVERS TO WALL.

ASEGURE UNA VENTILACIÓN ADECUADA MANTENIENDO UN ESPACIO E 4" (102mm) (MÍN.) DE HOLSURA ENTRE LA REJILLA DE VENTILACIÓN DEL MUEBLE Y LA PARED

ASSUREZ-VOUS UNE BONNE VENTILATION EN GARDANT 4" (102mm) (MÍN.) ENTRE LES ÉVENTS DE L'ENCEINTE ET LE MUR.

E = POWER CORD 4 FEET (1219mm) LONG

CABLE ELÉCTRICO DE 4 PIE (1219mm), DE LARGO

CORDON D'ALIMENTATION 4' (1219mm)

Note: When installing replacement bubbler and pedestal, tighten nut (Item 12) only to hold parts snug in position. **Do not over tighten.**

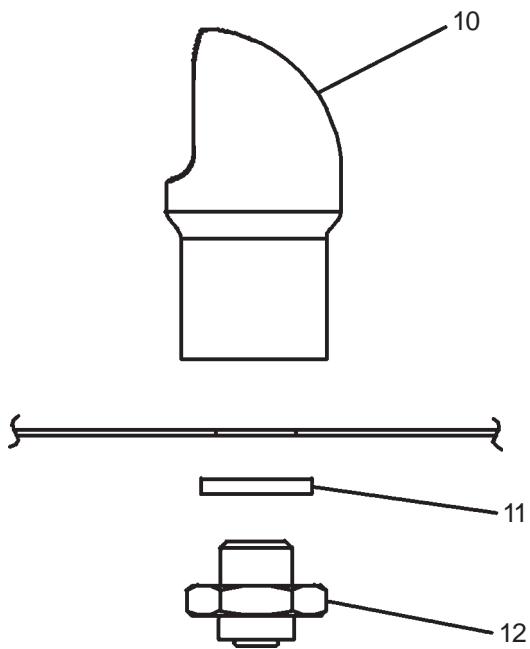


FIG. 3

Stream height is factory set at 35 PSI. If supply pressure varies greatly from this, remove Items 1 & 2 and adjust screw on Item 4. Clockwise adjustment will raise stream and counter-clockwise adjustment will lower stream. For best adjustment, stream should hit basin approximately 6-1/2" (165mm) from bubbler.

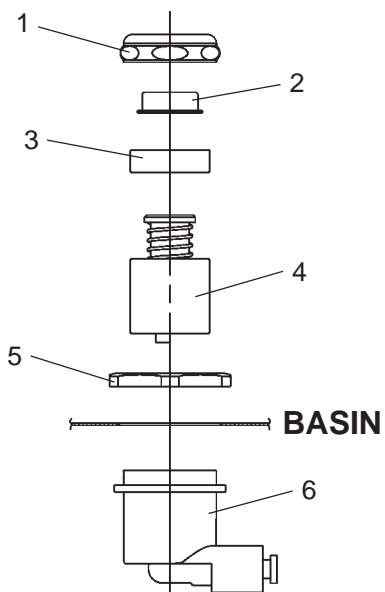


FIG. 4

FGDF7105,10*1D,2D

PARTS LIST 115V

ITEM NO.	PARTNO.	DESCRIPTION
1	40089C	Cover
2	40048C	Button
3	15005C	Regulator Retaining Nut
4	61313C	Regulator
5	40169C	Hex Nut
6	50986C	Regulator Holder
7	22543C	Basin & Precooler assy
8	36176C	Overload (5 GPH)
8	31025C	Overload/Relay Assy 1.350.358 (10 GPH)
	31039C	Overload/Relay Assy P600B/427NFBYY(10 GPH)
	36181C	Relay (5 GPH)
9	35935C	Capacitor - Run
10	98118C	Bubbler Assembly
11	100322740560	Washer
12	15009C	Bubbler Nipple
13	55996C	Strainer
14	66504C	Evaporator Assy (5 GPH)
	66505C	Evaporator Assy (10 GPH)
15	31513C	Cold Control
16	31501C	Power Cord
17	31490C	Fan Motor
18	30664C	Fan Blade
19	70018C	Fan Blade Nut
20	20282C	Fan Motor Bracket
21	50144C	Grommet - Compressor Mtg.
22	19037000	Clip - Compressor Mtg.
23	66200C	Drier (5 GPH)
	66202C	Drier (10 GPH)
24	66300C	Heat Exchanger (5 GPH)
24a	66302C	Heat Exchanger (10 GPH)
24b	66508C	Heat Exchanger (10 GPH)
25	66303C	Condenser (5 GPH)
	66305C	Condenser (10 GPH)
26	20460C	Front Panel (Stainless Steel)
	21482C	Front Panel (Sandalwood)
27	21239C	Cabinet (Stainless Steel)
	21486C	Cabinet (Sandalwood)
28*	35786C	Compressor Serv. Pak PW3HK7 (5 GPH)
28a*	35767C	Compressor Serv. Pak FF7.5HBK (10GPH)
28b*	35947C	Compressor Serv. Pak EM65 (10GPH)
29	31797C	Cover - Relay
29a	31797C	Cover - Relay
29b	35768C	Cover - Relay
30	56092C	Poly Tubing (Cut to Length)
31	75670C	Stud - Compressor Mtg.

PARTS LIST 230V-50/60Hz

ITEM NO.	PARTNO.	DESCRIPTION
8	31035C	Overload/Relay Assy (5 GPH)
	36195C	Overload (10 GPH)
	36050C	Relay (10 GPH)
16	31505C	Power Cord
17	31430C	Fan Motor
*28	35788C	Compressor Serv Pak (5 GPH)
	36085C	Compressor Serv Pak (10 GPH)
29	35768C	Relay Cover (10 GPH)

*REPLACE WITH SAME COMPRESSOR USED IN ORIGINAL ASSEMBLY.
 NOTE: All correspondence pertaining to ELKAY water coolers or orders for repair parts MUST include Model No. and Serial No. of cooler, name and part number of replacement part.