

Installation/Care/Use Manual

USES HFC-134A REFRIGERANT

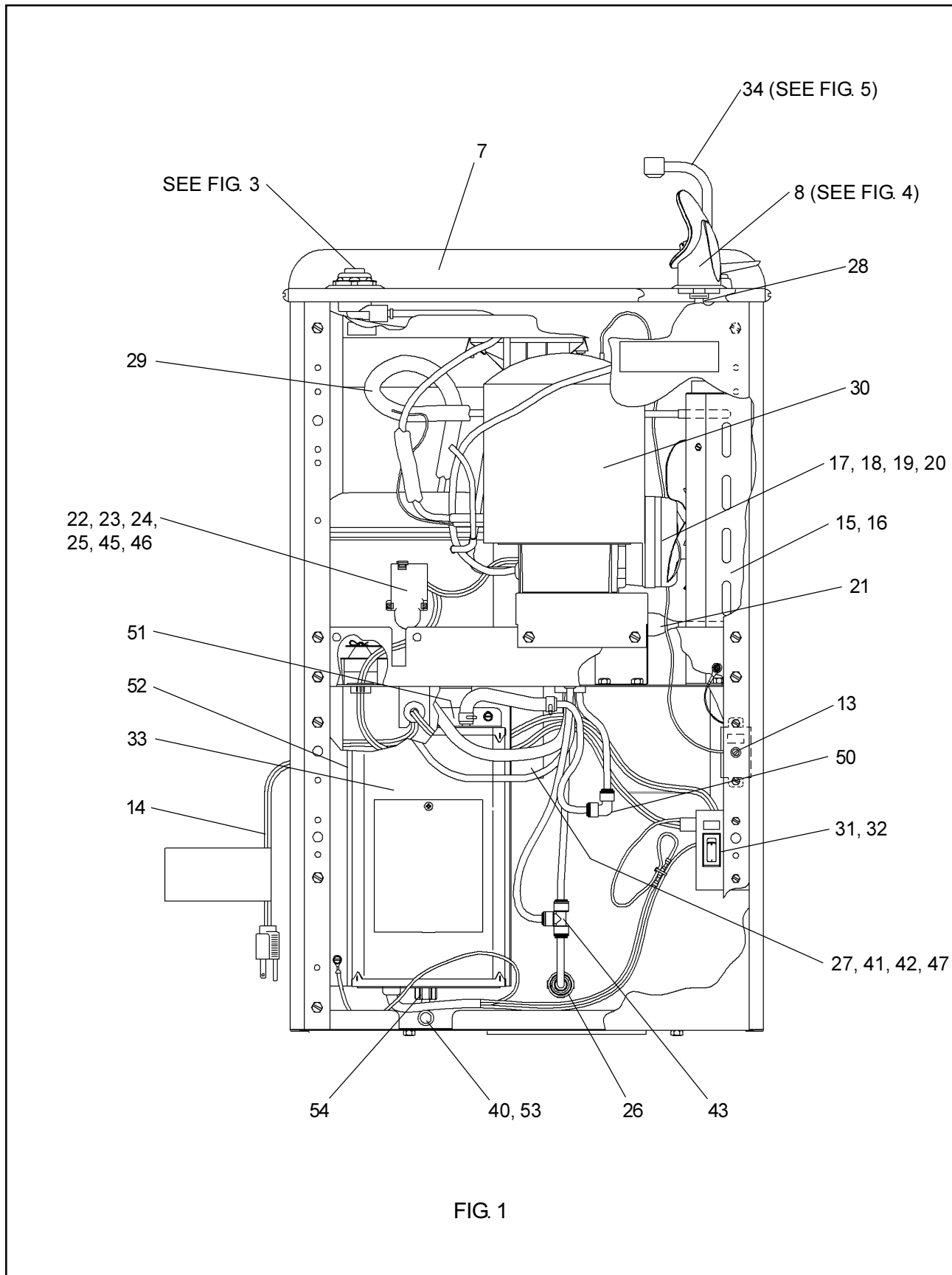
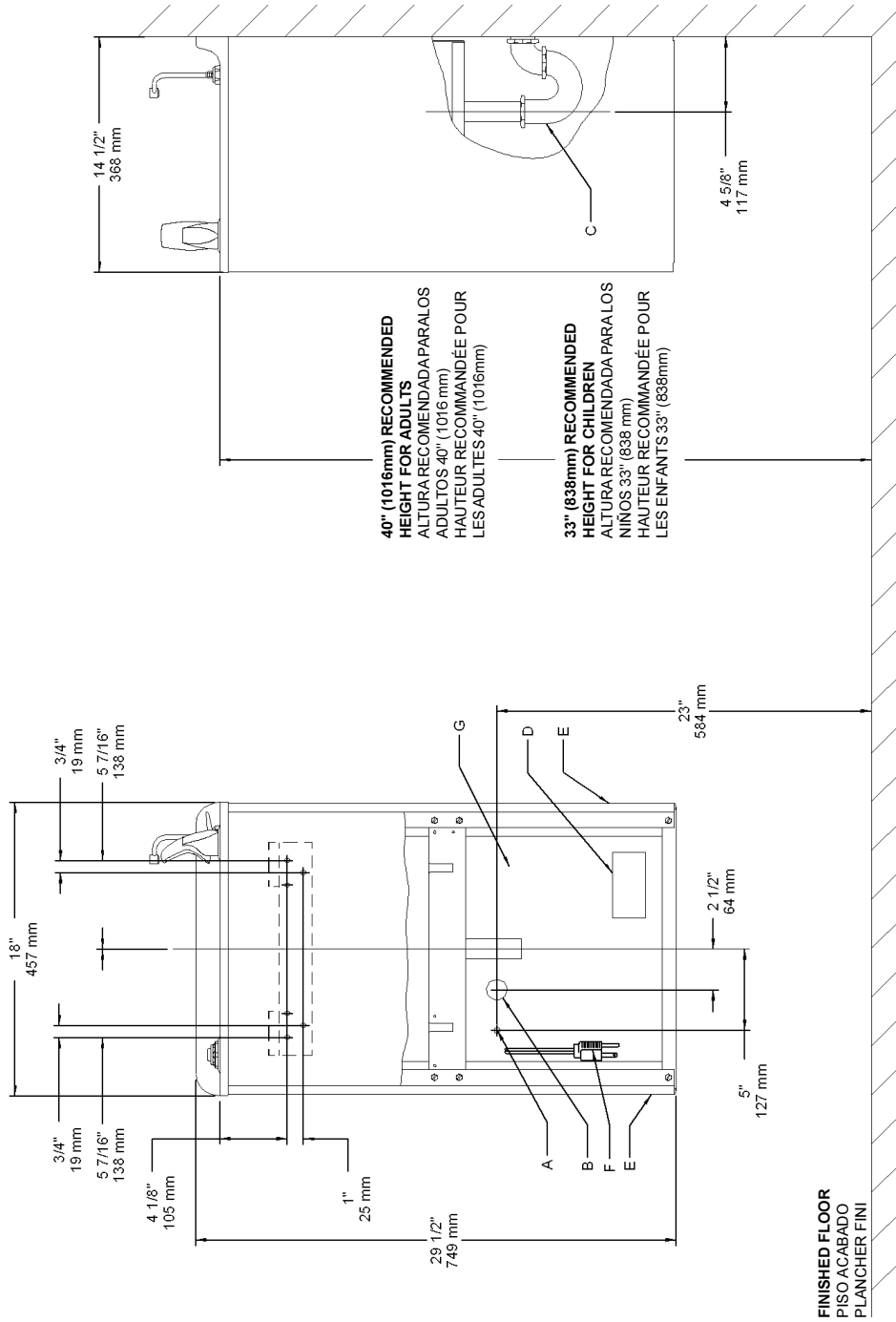


FIG. 1



FINISHED FLOOR
PISO ACABADO
PLANCHER FINI

FIG 2

LEGEND/LEYENDA/LÉGENDE

- A = RECOMMENDED WATER SUPPLY LOCATION 3/8 O.D. UNPLATED COPPER TUBE CONNECT STUB OUT 1-1/2 IN. (38mm) FROM WALL SHUT OFF BY OTHERS**
SE RECOMIENDA UBICAR EL TUBO CORTO DE CONEXIÓN AL TUBO DE COBRE SIN CHAPAR DE 3/8" DE DIÁM. EXT. A 1-1/2" (38 mm) FUERA DE LA LLAVE DE PASO EN LA PARED COLOCADA POR TERCEROS.
EMPLACEMENT RECOMMANDÉ D'ALIMENTATION EN EAU PAR TUBE EN CUIVRE NON PLAQUÉ DE 3/8 PO. (9.5 mm) D.E. CONNECTANT UNE TUYAUTERIE DE 1-1/2 PO. (38 mm) DEPUIS LE ROBINET D'ARRÊT FOURNI PAR D'AUTRES.
- B = RECOMMENDED LOCATION FOR WASTE OUTLET 1-1/4" O.D. DRAIN**
UBICACIÓN RECOMENDADA PARA EL DRENAJE DE SALIDA DE AGUA. DE 1 1/4" DE DIÁMETRO.
EMPLACEMENT RECOMMANDÉ POUR LE DRAIN DE D.E. 1-1/4" DE SORTIE D'EAU.
- C = 1-1/4 TRAP NOT FURNISHED**
PURGADOR DE 1 1/4 NO PROPORCIONADO
SIPHON 1-1/4 NON FOURNI
- D = ELECTRICAL OUTLET LOCATION**
UBICACIÓN DE LA TOMA DE ELECTRICIDAD
EMPLACEMENT DE LA PRISE DE COURANT
- E = INSURE PROPER VENTILATION BY MAINTAINING 4" (102mm) (MIN.) CLEARANCE FROM CABINET LOUVERS TO WALL.**
ASEGURE UNA VENTILACIÓN ADECUADA MANTENIENDO UN ESPACIO E 4" (102mm) (MIN.) DE HOLLGURA ENTRE LA REJILLA DE VENTILACIÓN DEL MUEBLE Y LA PARED
ASSUREZ-VOUS UNE BONNE VENTILATION EN GARDANT 4" (102mm) (MIN.) ENTRE LES ÉVÉNENTS DE L'ENCEINTE ET LE MUR.
- F = POWER CORD 4 FEET (1219mm) LONG**
CABLE ELÉCTRICO DE 4 PIE (1219mm) DE LARGO
CORDON D'ALIMENTATION 4' (1219mm)
- G = PLUMBING ROUGH-IN CAN BE LOCATED ANYWHERE WITHIN THIS AREA.**
SE PUEDE COLOCAR EL DESBASTE DE LA TUBERÍA EN CUALQUIER LUGAR DENTRO DE ESTA AREA
ON PEUT PLACER LA TUYAUTERIE DANS CETTE RÉGION.

Stream height is factory set at 35 PSI. If supply pressure varies greatly from this, remove Items 1 & 2 and adjust screw on Item 4. Clockwise adjustment will raise stream and counter-clockwise adjustment will lower stream. For best adjustment, stream should hit basin approximately 6-1/2" (165mm) from bubbler.

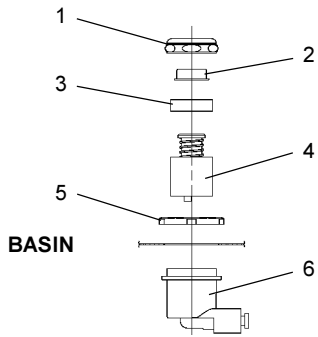
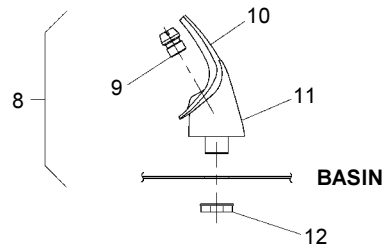


FIG. 3



NOTE:
WHEN INSTALLING REPLACEMENT BUBBLER AND PEDESTAL, TIGHTEN NUT (ITEM 12) ONLY TO HOLD PARTS SNUG IN POSITION. DO NOT OVER TIGHTEN.

FIG. 4

WIRING DIAGRAM

This Drawing is merely for illustrating the components of the electrical system.

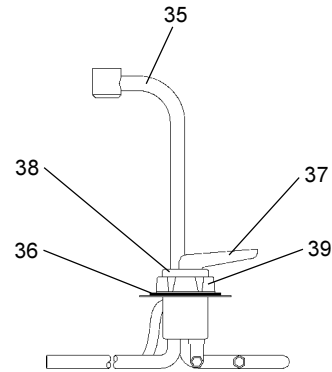
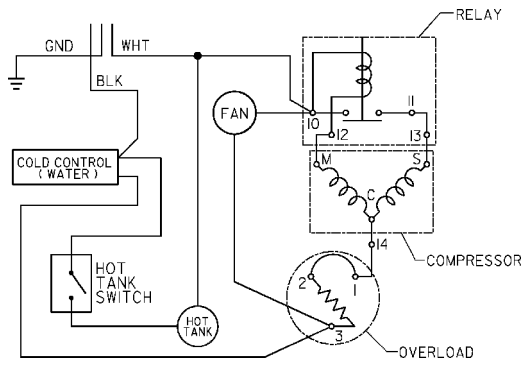


FIG. 5

PARTS LIST 115V		
ITEM NO.	PART NO.	DESCRIPTION
1	40089C	Cover
2	40048C	Button
3	15005C	Regulator Retaining Nut
4	61313C	Regulator
5	40169C	Hex Nut
6	50986C	Regulator Holder
7	21541C	Basin
	21539C	Basin (GF)
8	56073C	Bubbler Assy
9	40322C	Orifice Assy
10	56011C	Housing Assy
11	55997C	Pedestal
12	75580C	Bubbler Locknut
13	31513C	Cold Control
14	36132C	Power Cord
15	66417C	Condenser (8 GPH)
	66432C	Condenser (14 GPH)
16	21516C	Fan Shroud
17	31490C	Fan Motor (8 GPH)
	31491C	Fan Motor (14 GPH)
18	30664C	Fan Blade
19	27681C	Fan Bracket
20	70018C	Fan Blade Nut
21	66202C	Drier (8 GPH)
	66203C	Drier (14 GPH)
*22	35762C	Compressor Serv. Pak 8 GPH
	35775C	Compressor Serv. Pak 14 GPH
23	31027C	Overload/Relay Assy. (8 GPH)
	35840C	Overload (14 GPH)
24	31797C	Relay Cover (8 GPH)
	35768C	Relay Cover (14 GPH)
25	194243901550	Electrical Shield
26	55996C	Strainer
27	45448C	Tailpipe/Vacuum Break
28	56092C	Poly Tubing (Cut To Length)
29	66229C	Heat Exchanger (8 GPH)
	66445C	Heat Exchanger (14 GPH)
30	66505C	Evaporator (8 GPH)
	66506C	Evaporator (14 GPH)
31	28427C	Hot Tank Switch Bracket
32	36101C	Hot Tank Switch
33	36204C	Hot Tank Assy
34	45820C	Hot Valve Assy
35	40597C	Gooseneck
36	33659000	Body Gasket
37	51543C	Handle
38	40596C	Shroud
39	70921C	Mounting Nut
40	70606C	Plug-Drain
41	50368C	Receptor-Drain
42	70750C	Clamp-Hose
43	70682C	Tee - 1/4 x 1/4 x 1/4
44	70683C	Union - 1/4
45	35843C	Relay (14 GPH)
46	35844C	Capacitor (14 GPH)
47	50005C	Gasket - Drain
48	100322740560	Gasket (GF)
49	15009C	Nipple - Bubbler (GF)
50	70793C	Elbow - 1/4 x 90°
51	28438C	Bracket - Hot Tank Hold
52	28445C	Bracket - Hot Tank Mounting
53	66736C	Tube - 5/16 to 1/4 Drain
54	75666C	Nut - Drain 5/16" Compression
55	70817C	Elbow - 1/4 Stem x 90° (NS)

230V 50/60 Hz

ITEM NO.	PART. NO.	DESCRIPTION
14	36131C	Power Cord (8 & 14 GPH)
17	31430C	Fan Motor (8 & 14 GPH)
22*	35789C	Compressor Serv. Pak (8 GPH)
	35764C	Compressor Serv. Pak (14 GPH)
23	36168C	Overload (8 GPH)
	31028C	Overload/Relay Assy. (14 GPH)
24	35768C	Relay Cover (8 & 14 GPH)
29	66452C	Heat Exchanger (8 GPH)
33	36205C	Hot Tank Assy (8 & 14 GPH)
45	36164C	Relay (8 GPH)
-	35826C	Power Inlet

*INCLUDES RELAY & OVERLOAD. IF UNDER WARRANTY, REPLACE WITH SAME COMPRESSOR USED IN ORIGINAL ASSEMBLY.
 NOTE: All correspondence pertaining to any of the above water coolers or orders for repair parts MUST include Model No. and Serial No. of cooler, name and part number of replacement part.

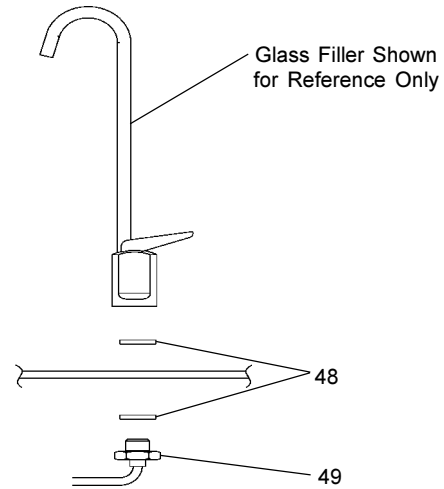


FIG. 7

COLOR TABLE	LEFT PANEL	RIGHT PANEL (w/o hole)	RIGHT PANEL (w/ hole)	FRONT PANEL
Gray Beige	20638C	21526C	20639C	20675C
Almond	21464C	21530C	21465C	20676C
Stainless Steel	20640C	21527C	20641C	20672C
Sandalwood	21462C	21528C	21463C	21454C
Granite	27171C	27192C	27174C	27150C
Light Gray Granite	27172C	N/A	27175C	21455C