

Installation/Care/Use Manual

USES HFC-134A REFRIGERANT

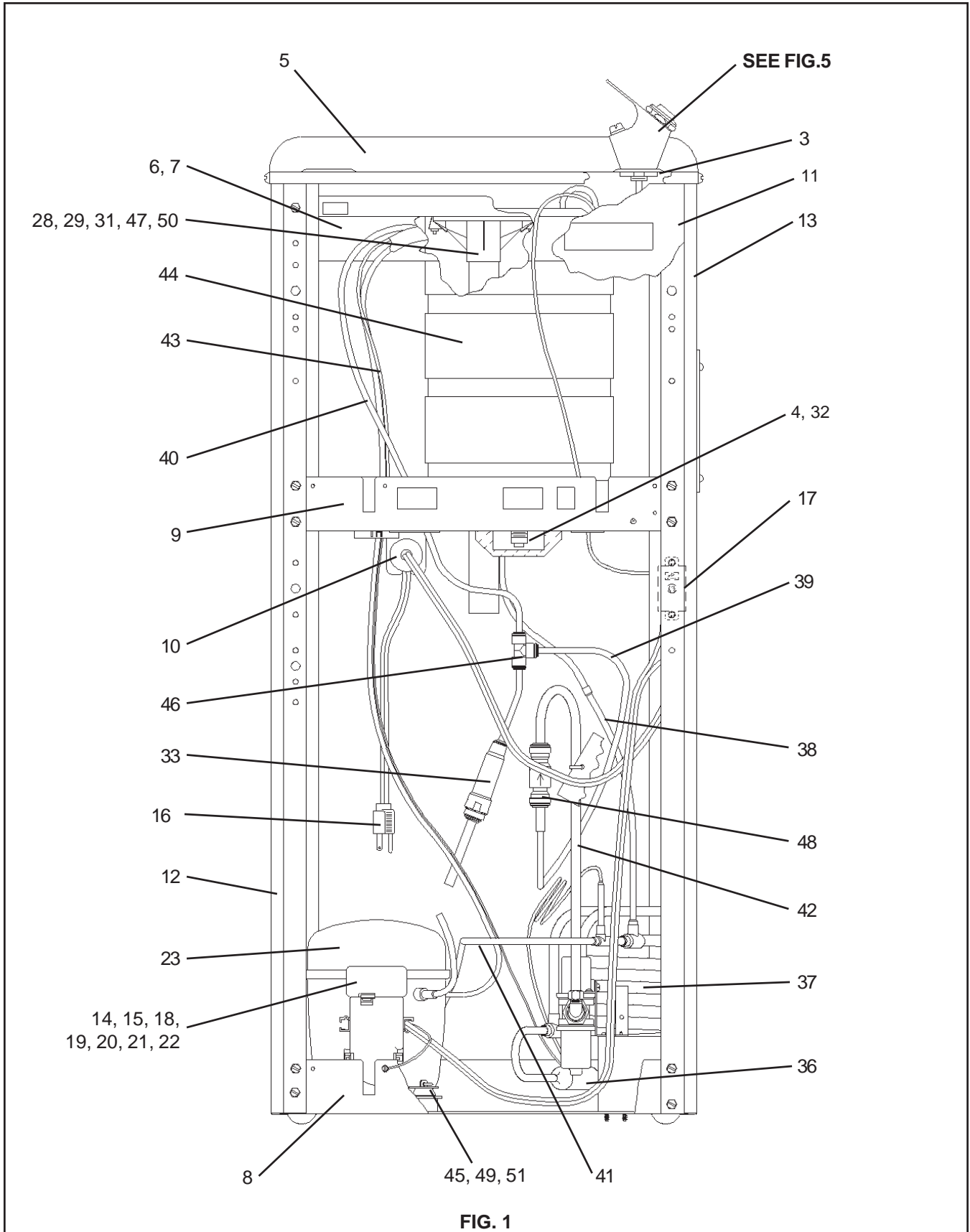


FIG. 1

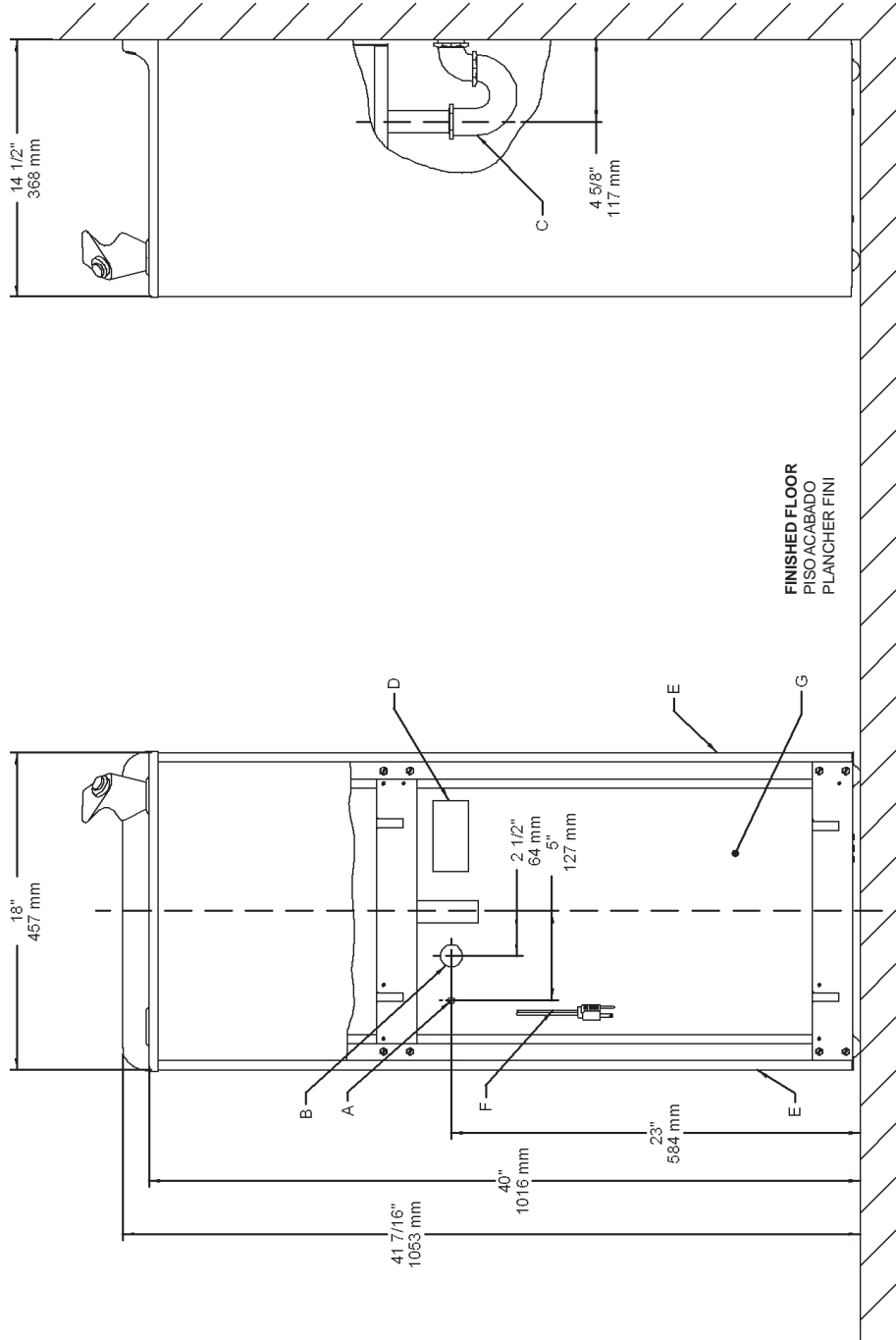


FIG. 2

E = INSURE PROPER VENTILATION BY MAINTAINING 4" (102mm) (MIN.) CLEARANCE FROM CABINET LOUVERS TO WALL.
 ASEGURE UNA VENTILACION ADECUADA MANTENIENDO UN ESPACIO E 4" (102mm) (MIN.) DE HOLGURA ENTRE LA REJILLA DE VENTILACION DEL MUEBLE Y LA PARED
 ASSUREZ-VOUS UNE BONNE VENTILATION EN GARDANT 4" (102mm) (MIN.) ENTRE LES EVENTS DE L'ENCEINTE ET LE MUR.
F = POWER CORD 4 FEET (1219mm) LONG
 CABLE ELECTRICO DE 4 PIE (1219mm), DE LARGO
 CORDON D'ALIMENTATION 4' (1219mm)
G = PLUMBING ROUGH-IN CAN BE LOCATED ANYWHERE WITHIN THIS AREA.
 SE PUEDE COLOCAR EL DESBASTE DE LA TUBERIA EN CUALQUIER LUGAR DENTRO DE ESTA AREA.
 ON PEUT PLACER LA TUYAUTERIE DANS CETTE REGION.

LEGENDA / LEYENDA / LEGENDE
A = RECOMMENDED WATER SUPPLY LOCATION 3/8" O.D. UNPLATED COPPER TUBE CONNECT STUB 1-1/2 IN. (38mm) OUT FROM WALL SHUT OFF BY OTHERS
 SE RECOMIENDA UBICAR EL TUBO CORTO DE CONEXION AL TUBO DE COBRE SIN CHAPAR DE 3/8" DE DIAM. EXT. A 1-1/2" (38mm) FUERA DE LA LAVO DE PASO EN LA PARED COLOCADO POR TERCEROS.
 EMPLACEMENT RECOMMANDÉ D'ALIMENTATION EN EAU PAR TUBE EN CUIVRE NON PLAQUÉ DE 3/8" P.O. (9.5 mm) D.E. CONNECTANT UNE TUYAUTERIE DE 1-1/2" P.O. (38mm) DEPUIS LE ROBINET D'ARRÊT FOURNI PAR D'AUTRES.
B = RECOMMENDED LOCATION FOR WASTE OUTLET 1-1/4" O.D. DRAIN
 UBICACION RECOMENDADA PARA EL DRENAJE DE SALIDA DE AGUA, DE 1 1/4" DE DIAMETRO.
C = 1-1/4" TRAP NOT FURNISHED**
 EMPLACEMENT RECOMMENDÉ POUR LE DRAIN DE D.E. 1-1/4" DE SORTIE D'EAU.
 PURGADOR DE 1 1/4" NO PROPORCIONADO**
 SIPHON 1-1/4" NON FOURNI**
D = ELECTRICAL OUTLET LOCATION
 UBICACION DE LA TOMA DE ELECTRICIDAD
 EMPLACEMENT DE LA PRISE DE COURANT

CONDENSER WATER VALVE ADJUSTMENT

The condenser water valve is factory preset for a condenser water outlet temperature of 95° to 105° F. If actual temperature varies greatly from this, readjust water flow rate at the valve using the following procedures.

1. START UP COMPRESSOR

This can be accomplished by depressing the cooler push button (See Fig. 5 - Item 24). Keep water running during the entire readjustment procedure.

2. ADJUSTMENT CONDENSER WATER VALVE

Adjust valve by rotating adjustment stem. Rotating stem clockwise will decrease water flow. Counterclockwise rotation will increase water flow. Increasing water flow will result in a lower condenser outlet temperature, while decreasing water flow will result in a higher outlet temperature. Proper adjustment is attained when condenser outlet temperature is 95° to 105° F.

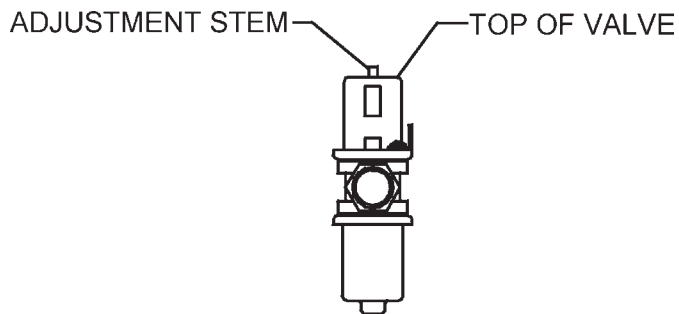


FIG. 3

STREAM HEIGHT ADJUSTMENT: Stream height is factory set at 45-50 PSI. If supply pressure varies greatly from this, remove items 24 and 25 (See figure 5) from bubbler assembly and adjust the screw on the regulator (Item 35). Clockwise adjustment will raise stream height and counterclockwise will lower the stream height. A stream height of 1-1/2" (38mm) is recommended.

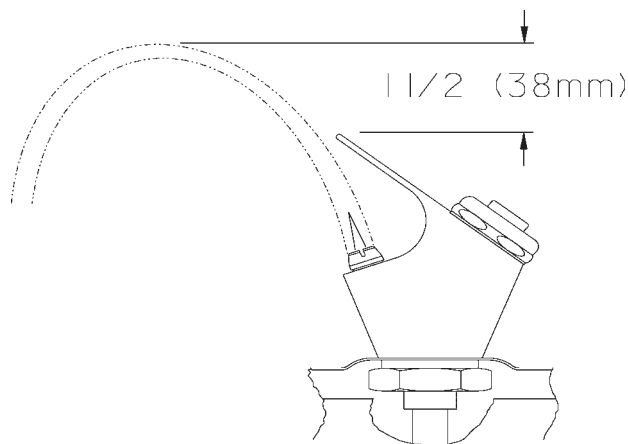


FIG. 4

PARTS LIST 115V

ITEM NO.	PART NO.	DESCRIPTION
1	10031C	Nut-Retaining
2	100322740650	Gasket-Black
3	15009C	Nipple-Bubbler
4	70772C	Drain Plug
5	27317C	Basin
6	28270C	Brace-Cross Rear
7	28271C	Brace-Cross Front
8	28272C	Baseplate
9	28273C	Shelf
10	28631C	Bracket-Strain Relief
11	28277C	Panel-Front
12	28278C	Panel-LH Side
13	28279C	Panel-RH Side
14	35843C	Relay
15	35840C	Overload
16	36219C	Cord-Power
17	35892C	Cold Control
18	35768C	Cover-Relay
19	35845C	Cap-Capacitor
20	35874C	Clip-Capacitor
21	35844C	Capacitor
22	36095C	Bracket-Capacitor
23	36114C	Compressor
24	40048C	Button
25	40089C	Nut-Cover
26	40322C	Orifice Assy
27	45675C	Bubbler Body
28	45718C	Assy-Tailpipe
29	50005C	Gasket-Tailpipe
30	45703C	Bubbler Assy
31	50368C	Drain Receptor
32	70767C	Evaporator Retaining Clip
33	55996C	Strainer
34	60291C	Screen-SS
35	61313C	Regulator-Red Spring
36	66203C	Drier
37	66674C	Assy-WC Condenser
38	66677C	Tube-WC Condenser
39	66693C	Tube-Tee To Check Vlv
40	66679C	Tube-CU 1/4 x 30
41	66680C	Tube-CU 1/4 x 22
42	66681C	Tube-Water Vlv To Check Vlv
43	66682C	Heat Exchanger
44	66685C	Assy-Evaporator
45	70421C	Washer-Flat
46	70682C	Fitting-1/4 Tee
47	70750C	Hose Clamp
48	75494C	Check Valve
49	75602C	Cotter Pin
50	75603C	Nut Hex SS
51	50144C	Grommet-Compressor Mtg.

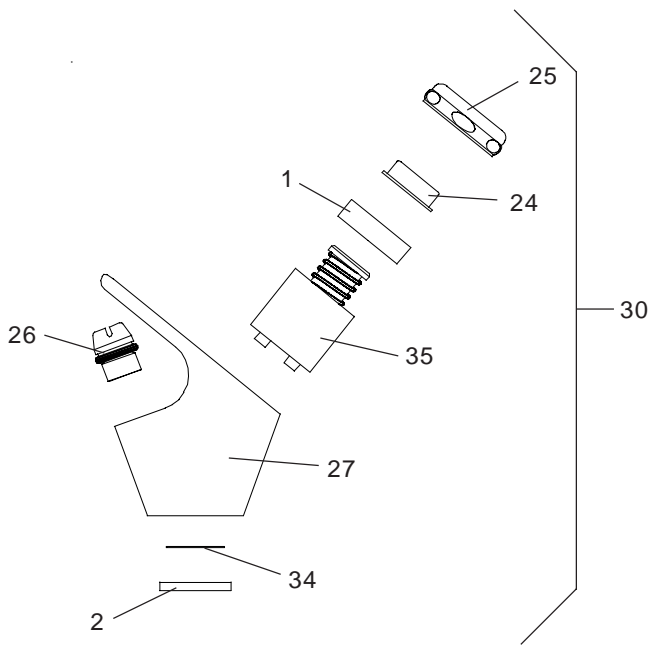


FIG. 5

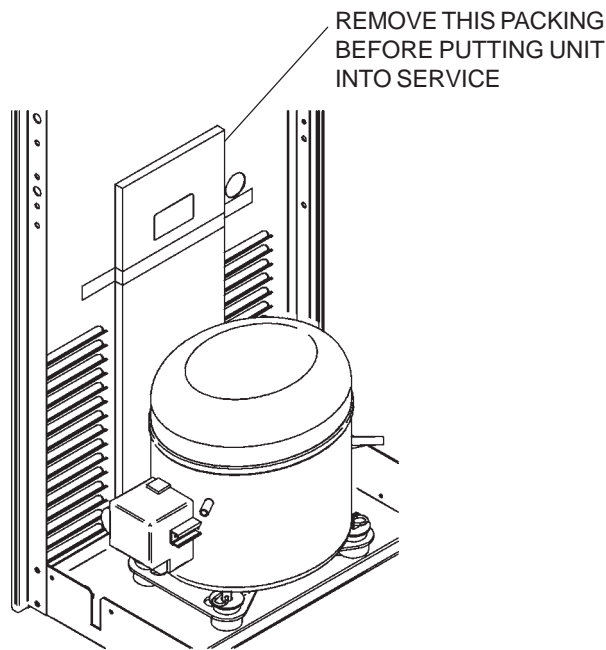


FIG. 6

*INCLUDES RELAY, OVERLOAD & CAPACITOR. IF UNDER WARRANTY, REPLACE WITH SAME COMPRESSOR USED IN ORIGINAL ASSEMBLY.

NOTE: All correspondence pertaining to any of the above water coolers or orders for repair parts MUST include Model No. and Serial No. of cooler, name and part number of replacement part.

FOR PARTS, CONTACT YOUR LOCAL DISTRIBUTOR OR CALL 1.800.323.0620