

# ELKAY<sup>®</sup>

## SPECIFICATIONS

### Asana™ Collection Lavatory Vessel Sink Models VESSEL16SMS and VESSEL16SSS

#### GENERAL

Highest quality sink bowl fabricated of #18 (1.2mm) gauge, type 304 (18-8) nickel bearing stainless steel. Mounts above countertop.

#### DESIGN FEATURES

Bowl Depth: 6" (152mm).

Finish: Exposed surfaces are hand blended to a lustrous satin finish. Model VESSEL16SMS has a mirror finish ledge.

#### OTHER

Drain Opening: 1-1/2" (38mm), 2-1/4" (57mm) O.D. at the top of the countersink.

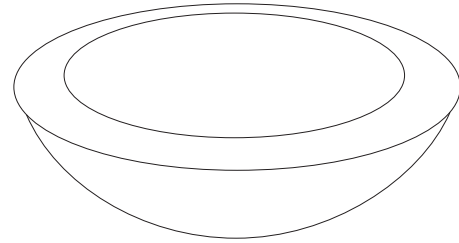
Recommended Drain: LK174LO or LKAD174LO.

Installation: Mounts to the countertop using the drain fitting.

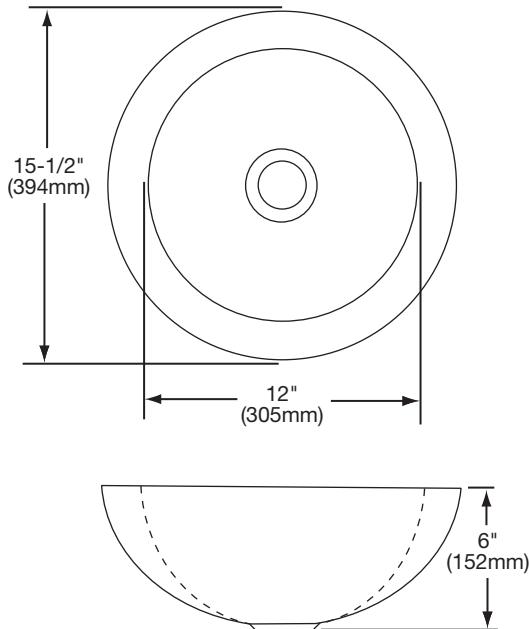
See illustrated profile below. Product does not have an overflow. Observe all local codes.

#### SINK DIMENSIONS

Model Number	Overall	Inside Bowl	Depth	Cutout in Countertop	Minimum Cabinet Size
VESSEL16SMS	15 1/2 Dia. (394mm)	12 Dia. (305mm)	6 (152mm)	3 Dia. (76mm)	12 (305mm)
VESSEL16SSS	15 1/2 Dia. (394mm)	12 Dia. (305mm)	6 (152mm)	3 Dia. (76mm)	12 (305mm)

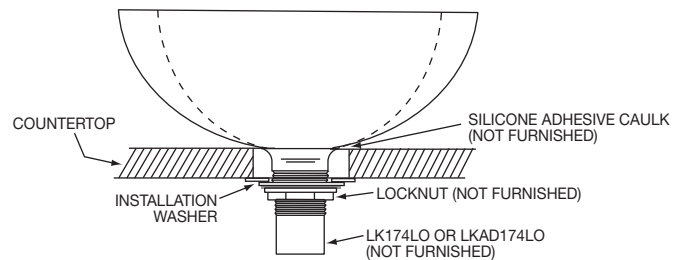


Models VESSEL16SMS  
and VESSEL16SSS



#### Installation Profile of VESSEL Models

This is the only type of installation recommended by Elkay.



*In keeping with our policy of continuing product improvement, Elkay reserves the right to change product specifications without notice. Please visit [elkayusa.com](http://elkayusa.com) for most current version of Elkay product specification sheets.*

*This specification describes an Elkay product with design, quality and functional benefits to the user. When making a comparison of other producers' offerings, be certain these features are not overlooked.*

**Elkay**

[elkayusa.com](http://elkayusa.com)

2222 Camden Court  
Oak Brook, IL 60523

Printed in U.S.A.  
©2008 Elkay

(Rev. 6/08) 1-225A