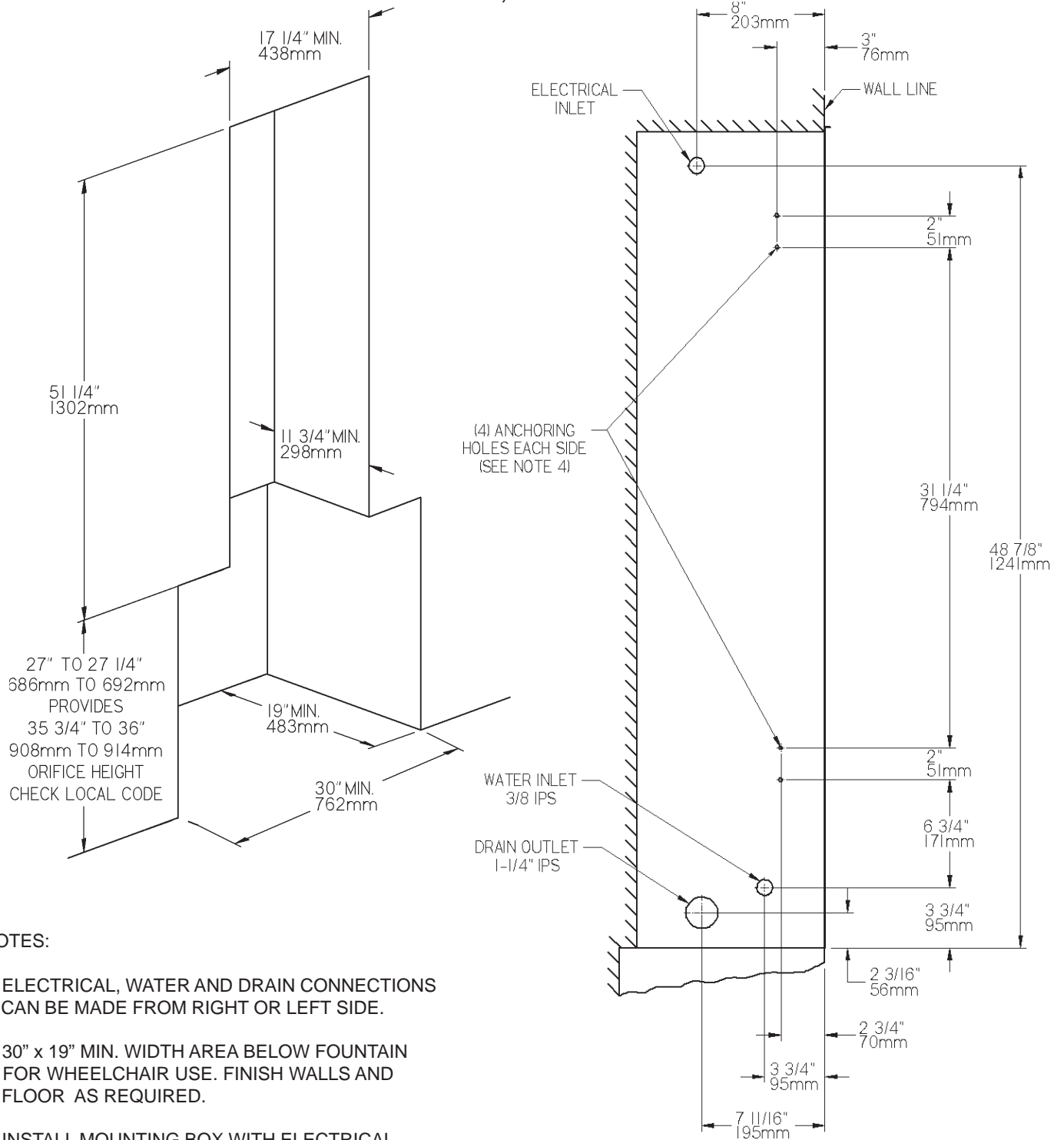


MOUNTING BOX INSTALLATION

ELECTRICAL AND PLUMBING ROUGH-IN

MB30, MB302



NOTES:

1. ELECTRICAL, WATER AND DRAIN CONNECTIONS CAN BE MADE FROM RIGHT OR LEFT SIDE.
2. 30" x 19" MIN. WIDTH AREA BELOW FOUNTAIN FOR WHEELCHAIR USE. FINISH WALLS AND FLOOR AS REQUIRED.
3. INSTALL MOUNTING BOX WITH ELECTRICAL JUNCTION BOX AT TOP.
4. FOR WALL BOX INSTALLATION USE SCREWS OR BOLTS (MIN. OF 8) THRU HOLES OR KNOCK-OUTS PROVIDED ON EACH SIDE. (SCREWS OR BOLTS TO BE FURNISHED BY INSTALLER).

FOR PARTS, CONTACT YOUR LOCAL DISTRIBUTOR OR CALL 1.800.323.0620