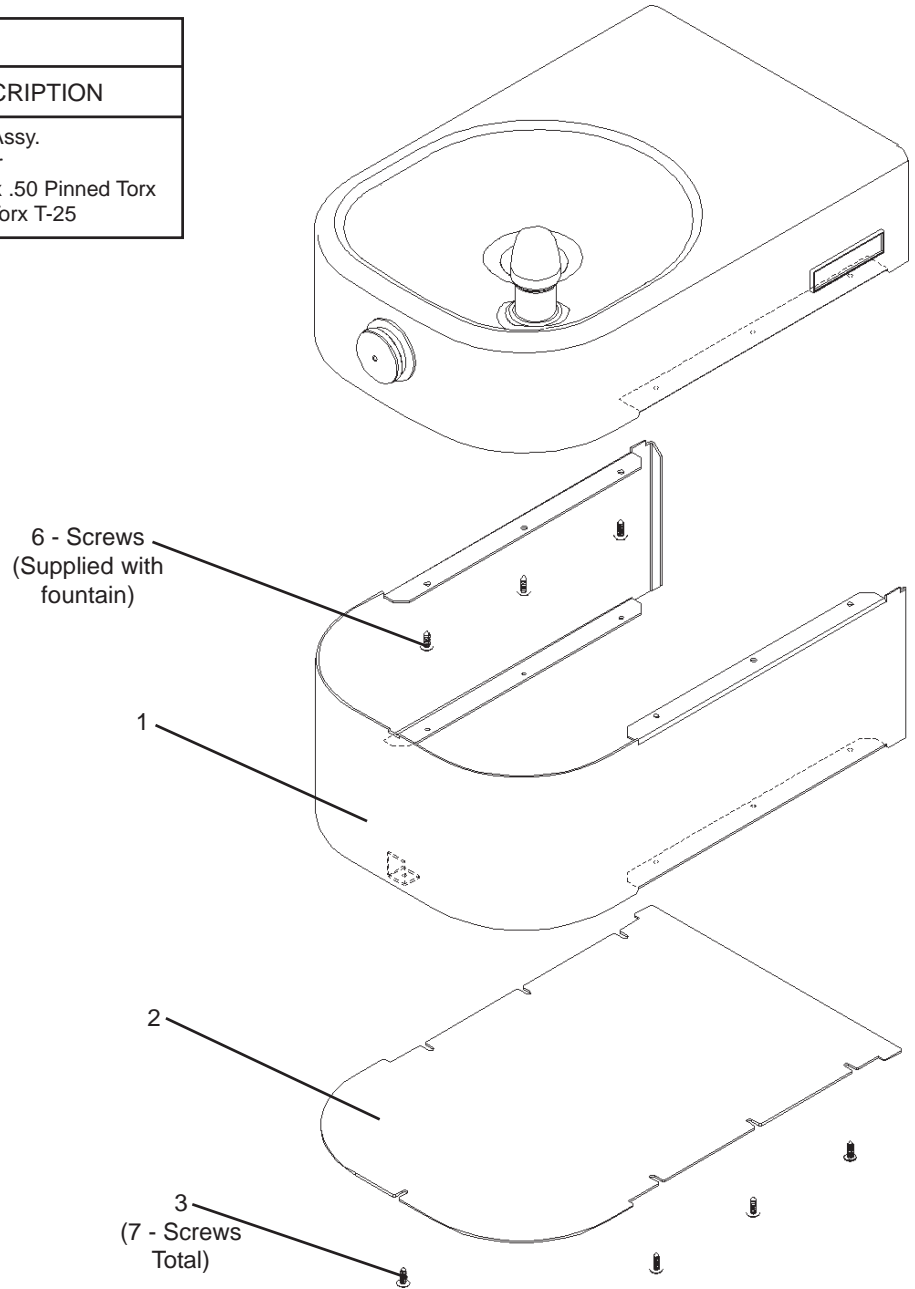


# CANE APRON INSTALLATION

1. Remove screws and bottom cover plate from fountain. Discard bottom cover plate.
2. Attach item 1 (Cane Apron Assy.) to bottom of fountain with six screws previously removed.
3. Attach new bottom cover plate (Item 2) to cane apron assy. with supplied screws (Item 3).

## PARTS LIST

ITEM NO.	PART NO.	DESCRIPTION
1	28566C	Cane Apron Assy.
2	28556C	Bottom Cover
3	75570C	Screw - #10 x .50 Pinned Torx
NS	75520C	Bit - Pinned Torx T-25



FOR PARTS, CONTACT YOUR LOCAL DISTRIBUTOR OR CALL 1.800.323.0620