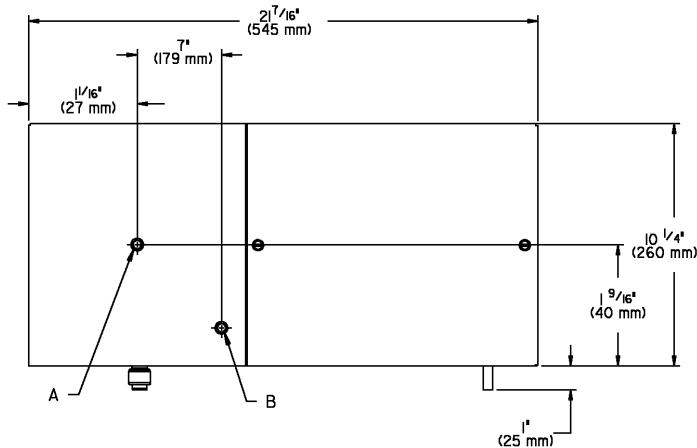
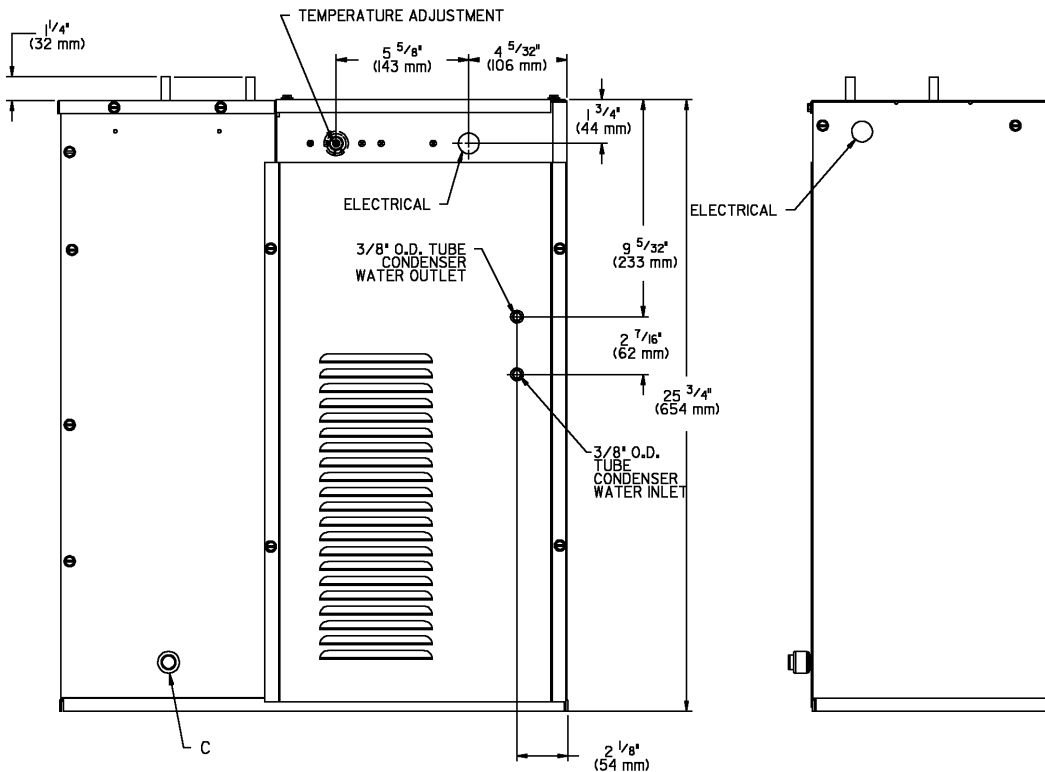


Installation Instructions

HRC4-20W-1B Refrigeration Packages



TOP VIEW



LEGEND

- A = 3/8" O.D. TUBE WATER OUT
- B = 3/8" O.D. TUBE WATER INLET
- C = 3/8" O.D. TUBE TANK DRAIN

NOTE: It is important to insure proper ventilation. Allow a minimum clearance of 12 inches (305 mm) in front and 3 inches (76mm) in the rear of the unit. If unit is to be installed in an enclosure, allow the following clearances around unit - 1 inch (25mm) each side, 3 inches (76mm) in the rear, 3 inches (76mm) inches above wall.

This chiller has been designed for use with potable water and includes an o-ring seal on the drain plug. The fitting should be replaced if the unit is to be used with more aggressive fluids.

For use with photo processing applications, adjust cold control to warmer settings.

HRC4-20W-1B

ITEMIZED PARTS LIST		
ITEM NO.	PART NO.	DESCRIPTION
1	100806740570	Grommet
2	19037000	Clip
3	23088C	Bracket Conduit
4	23100C	Panel Insulation Box (Rear)
5	23101C	Panel End
6	23104C	Box Insulation (Front)
7	26706C	Terminal Box
8	26707C	Grille
9	26708C	Cover Terminal Box
10	26709C	Rear Panel
11	27597C	Cover Insulation Box
12	28108C	Base Ass'y
13	30235C	Terminal Cover
14	30768C	Solenoid Valve
15	35880C	Overload
16	35882C	Cold Control
17	35895C	Cold Control Freeze Protect
18	35977C	Capacitor
19*	35986C	Compressor Service Pak
20	30233C	Overload Spring
21	30234C	Clip Compressor
22	66226C	Condenser
23	66563C	Evaporator
24	70772C	Drain Plug

*INCLUDES RELAY & OVERLOAD. IF UNDER WARRANTY, REPLACE WITH SAME COMPRESSOR USED IN ORIGINAL ASSEMBLY.

NOTE: All correspondence pertaining to any of the above water cooler or orders for repair parts MUST include model number and serial number of cooler, name and part number of replacement part.

INSTALLATION

1. Potable water inlet and outlet are 3/8" (9 mm) O.D. tube located on top of unit. Water cooled condenser inlet and outlet are 3/8" (9 mm) O.D. tube located on right front of unit. Installer to provide air gap at condenser water outlet to comply with local plumbing specifications. Contractor to supply connections as required.
2. Connecting lines to be of copper, thoroughly flushed to remove all foreign matter before being connected to cooler. If flushing does not remove all particles, a water strainer should be installed in supply line.
3. Connect cooler to building supply line with a shut-off valve and install a union connection between the valve and cooler.
4. Electrical: Make sure power supply is identical in voltage, cycle, and phase to that specified on cooler serial plate. Never wire compressor directly to the power supply

START-UP

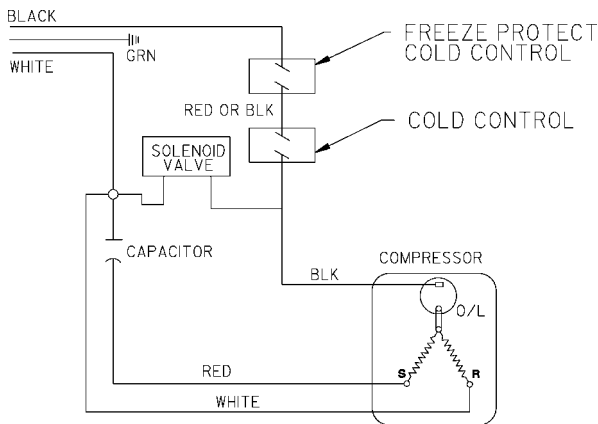
1. Open supply line valve.
2. Purge air from all water lines by operating bubbler valve of fountain.
3. Connect to electrical power.

TROUBLE SHOOTING & MAINTENANCE

Temperature Control: Factory set for 50° F water (+/- 5°) under normal conditions. For colder water, adjust screw on item no. 16 CW.

Ventilation: Cabinet louvers should be periodically cleaned with brush, air hose or vacuum cleaner. Excess dirt or poor ventilation can cause no cold water and compressor cycling on the compressor overload protector

Lubrication: Motors are lifetime lubricated.



WIRING DIAGRAM

