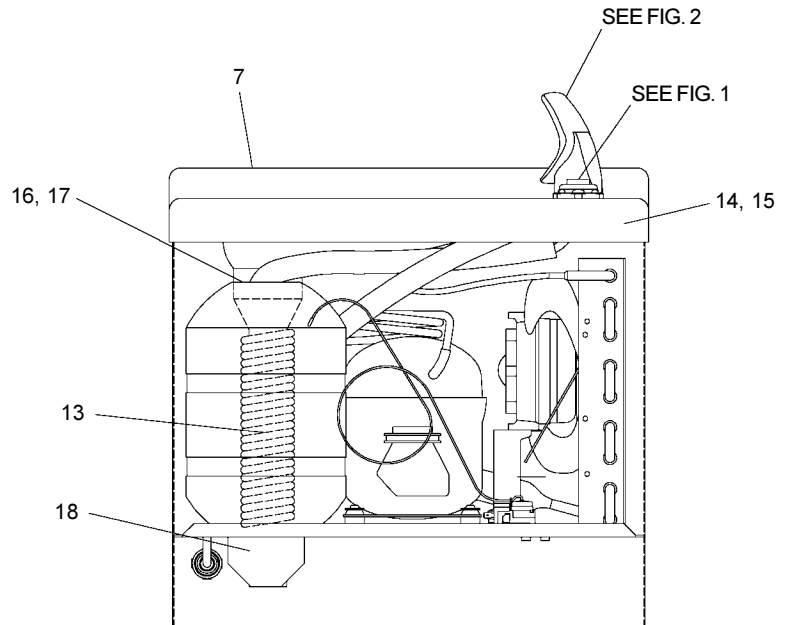
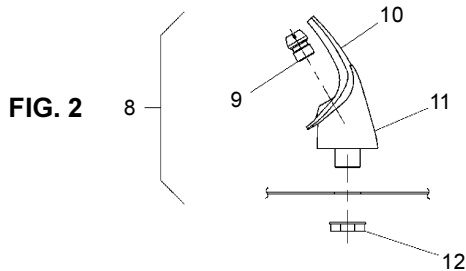
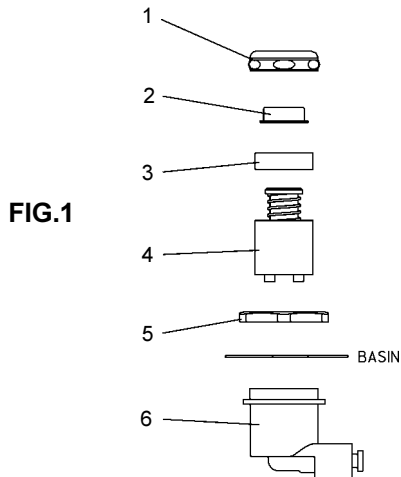


# HEW BASIN REPLACEMENT KIT FOR UNITS MANUFACTURED BEFORE JULY, 1996

## ITEMIZED PARTS LIST

ITEM NO.	PART NO.	DESCRIPTION
1	40089C	Cover
2	40048C	Button
3	10031C	Retaining Nut
4	61313C	Regulator
5	40169C	Hex Nut
6	50985C	Regulator Holder
7	27257C	Basin
8	51349C	Bubbler Assy.
9	40322C	Orifice Assy.
10	50934C	Housing Assy.
11	50168C	Pedestal
12	70012C	Locknut
13	45706C	Precooler Assy.
	45707C	Drain Assy.
14	34996001	Screw - #8-32 x .37 PHTC
15	70055C	Nut - Speed
16	40368001	Strainer - Drain
17	40376000	Gasket - Precooler
18	33998000	Gasket - Mounting Plate

1. Remove bubbler assembly and nut (Items 8 and 12).
2. Remove push button ass'y (Items 1 thru 5).
3. Remove strainer and gasket (Items 16 and 17). Be careful not to damage gasket.
4. Remove existing basin and screws and speed nuts, save speed nuts (Item 15).
5. Undo precooler (drain) mtg. plate, and add gaskets (Item 18) quantity of two to the existing gasket on the unit.
6. Retighten precooler (drain) mtg. plate to shelf.
7. Reattach strainer and gasket (Items 16 and 17) to the new basin and the existing precooler (drain).
8. Reattach bubbler to the new basin using nut (item 12). See figure 2.
9. Attach pushbutton ass'y (Items 1 thru 5) to the new basin and regulator holder (Item 6). See figure 1.
10. Use existing speed nuts and new screws (Items 14 and 15), to reattach basin to cabinet.



**NOTE: WHEN INSTALLING REPLACEMENT BUBBLER AND PEDESTAL, TIGHTEN NUT (ITEM 12) ONLY TO HOLD PARTS SNUG IN POSITION. DO NOT OVER TIGHTEN.**