

**With FLEXI-GUARD®**  
**Installation, Care & Use Manual**

USES HFC-134A REFRIGERANT

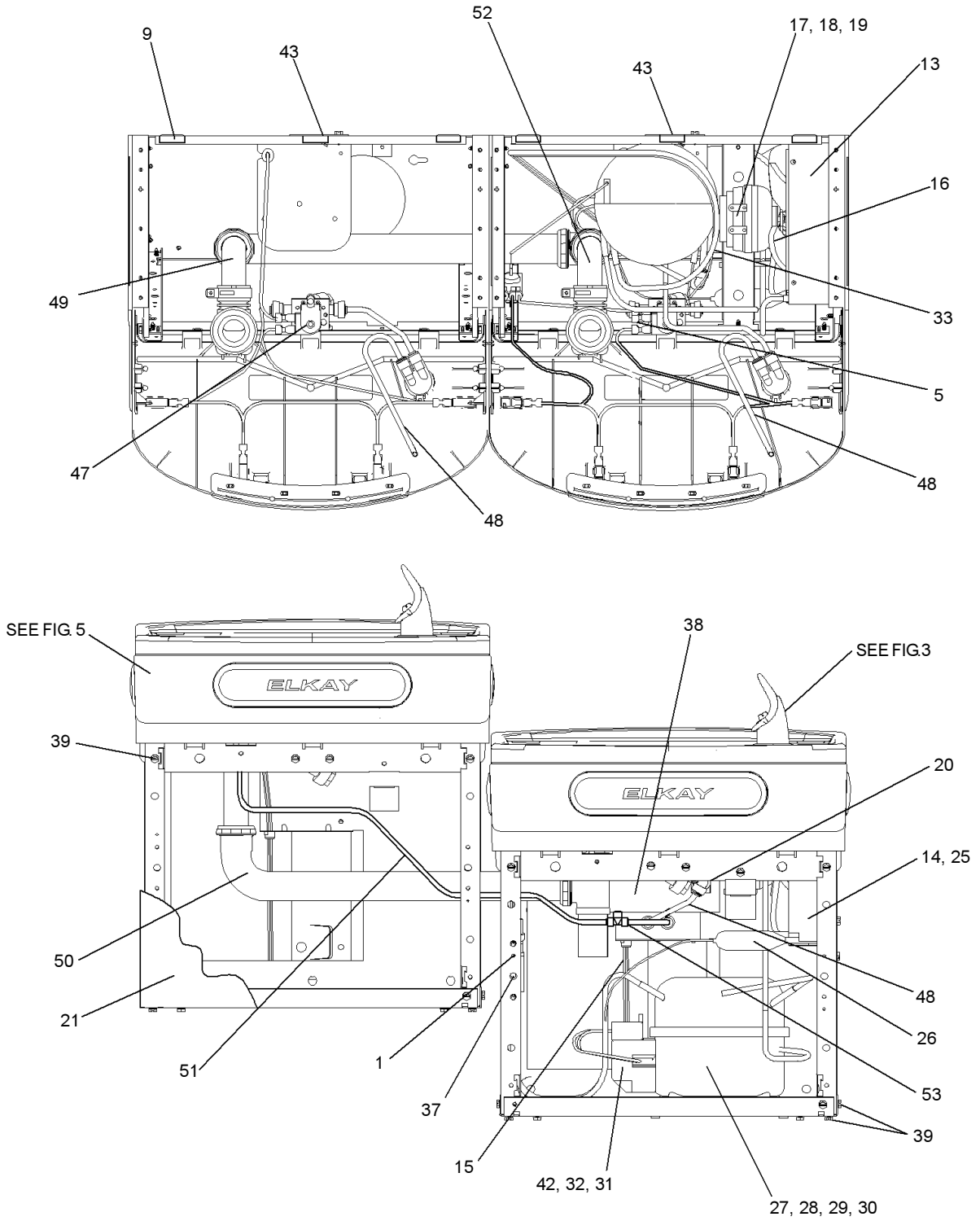
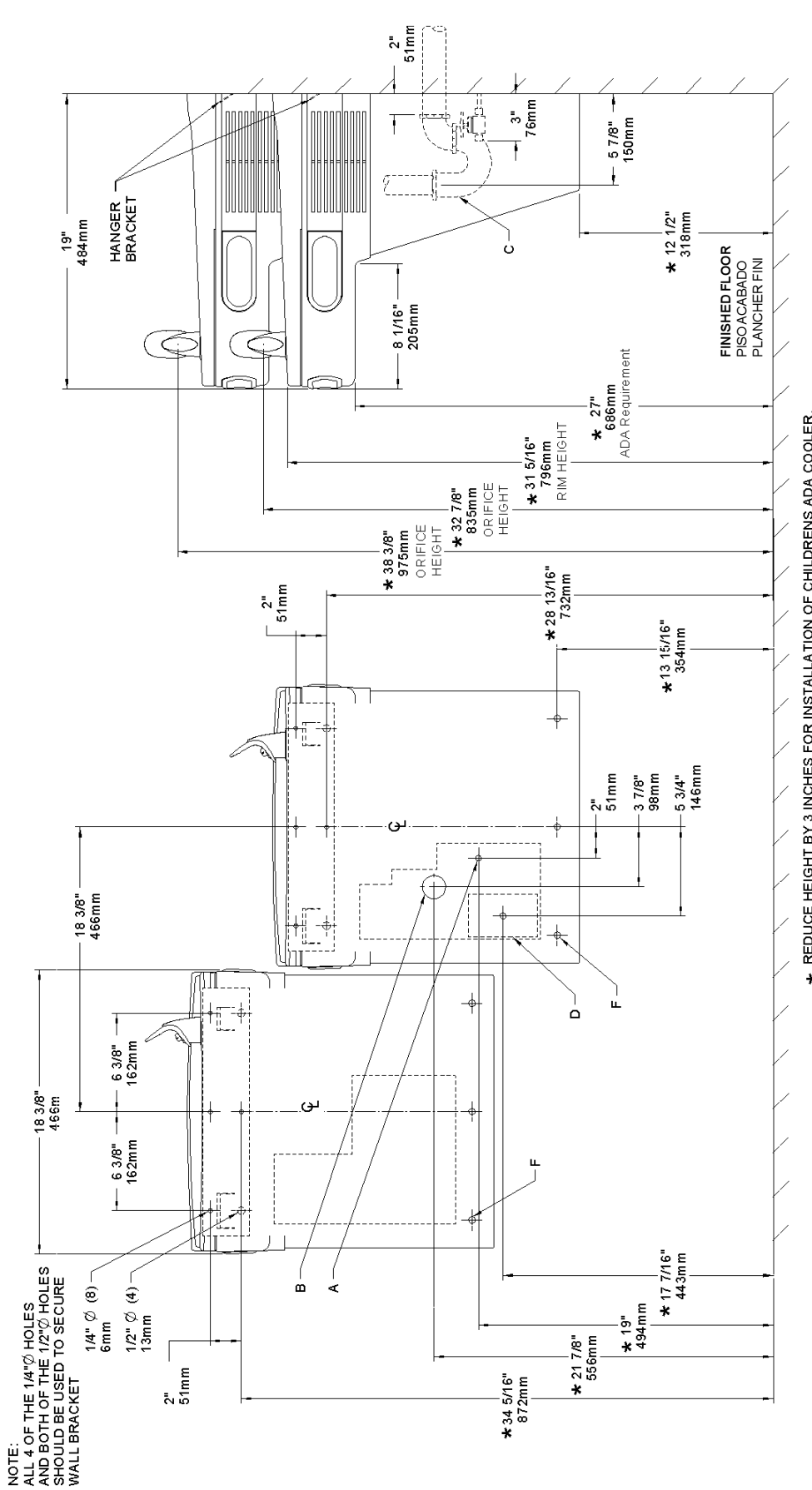


FIG 1



\*ADA REQUIREMENT  
 \*REQUISITO DE A.D.A.  
 \*EXIGENCE ADA

**FIG. 2**

- D = ELECTRICAL SUPPLY (3) WIRE RECESSED BOX**  
 CAJARA RECESADA DE ALAMBRES (3) DE SUMINISTRO ELÉCTRICO  
 BOÎTE ENCASTRÉE D'ALIMENTATION ÉLECTRIQUE (3) FILS
- E = INSURE PROPER VENTILATION BY MAINTAINING 6" (152 mm) (MIN.) CLEARANCE FROM CABINET LOUVERS TO WALL.**  
 ASEGURE UNA VENTILACIÓN ADECUADA MANTENIENDO UN ESPACIO E 6" (152 mm) (MIN.) DE HOLGURA ENTRE LA REMILLA DE VENTILACIÓN DEL MUEBLE Y LA PARED  
 ASSUREZ-VOUS UNE BONNE VENTILATION EN GARDANT 6" (152 mm) (MIN.) ENTRE LES ÉVÉNENTS DE L'ENCEINTE ET LE MUR.
- F = 7/16 BOLT HOLES FOR FASTENING UNIT TO WALL**  
 AGUJEROS DE LAS TUERCAS DE 7/16 PARA SUJETAR LA UNIDAD A LA PARED  
 TROUS D'ÉCROUS 7/16 POUR FIXER L'APPAREIL AU MUR

**HANGER BRACKETS & TRAP  
INSTALLATION**

- 1) Remove hanger bracket fastened to back of cooler by removing one (1) screw.
  - 2) Mount the hanger bracket as shown in Figure 2.
- NOTE:** Hanger Bracket **MUST** be supported securely. Add fixture support carrier if wall will not provide adequate support. Anchor hanger securely to wall using all six (6) 1/4 in. dia. mounting holes.

**IMPORTANT:**

- 5-7/8 in. (150mm) dimension from wall to centerline of trap must be maintained for proper fit.

**INSTALLATION OF COOLER**

- 3) Hang the cooler on the hanger bracket. Be certain the hanger bracket is engaged properly in the slots on the cooler back as shown in Figure 2.
- 4) Remove the six (6) screws holding the lower front panel at the bottom of cooler. Remove the front panel by pulling straight down and set aside.
- 5) Connect water inlet line--See Note 4 of General Instructions.
- 6) Install trap. Remove the slip nut and gasket from the trap and install them on the cooler waste line making sure that the end of the waste line fits into the trap. Assemble the slip nut and gasket to the trap and tighten securely.

**IMPORTANT:** If it is necessary to cut the drain, loosen the screw at the black rubber boot and remove tube, check for leaks after re-assembly.

- 7) Plug in electrical power.

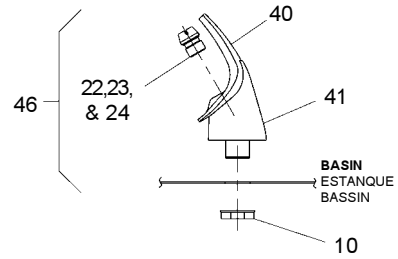
**START UP**

**Also See General Instructions**

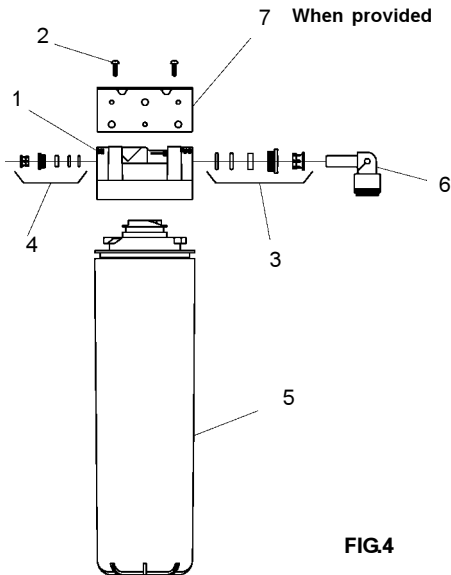
- 8) Stream height is factory set at 35 PSI. If supply pressure varies greatly from this, adjust screw located on the right knee clearance area. CW adjustment will raise stream and CCW adjustment will lower stream. For best adjustment, stream should hit basin approximately 6-1/2" (165mm) from bubbler on the downward slope of the basin.

**NOTE:** If continuous flow occurs at the end of the compressor cycle, turn cold control (Item 37) counterclockwise 1/4 turn.

- 9) Replace the front panel ensuring that the metal wrapper is secured inside of the upper shroud. Replace all six screws previously removed.

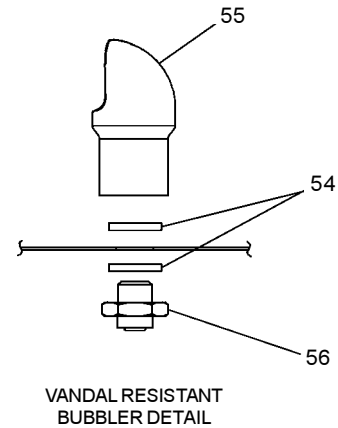


**NOTE:**  
WHEN INSTALLING REPLACEMENT BUBBLER AND PEDESTAL,  
TIGHTEN NUT (ITEM 10) ONLY TO HOLD PARTS SNUG IN  
POSITION.  
DO NOT OVER TIGHTEN.



**FIG.4**

SEE FILTER PARTS LIST



**FIG.3**

DESIGN 2000® FILTER PARTS LIST (See Fig. 4)			LISTA DE PIEZAS DEL FILTRO (Vea la Fig. 4)	LISTE DES PIÈCES DU FILTRE (Voir Fig. 4)
ITEM NO.	PART NO.	DESCRIPTION	DESCRIPCIÓN	DESCRIPTION
1	51294C	Filter Head Assy.	Ensamblado de la Cabeza del Filtro	Ens. de tête de filtre
2	70792C	Screw #8-18 x .75 PH	Tornillo #8-18 x .75 PH	Vis #8-18 x .75 hp
3	70823C	Fitting - Superseal 3/8" (10mm)	Accesorio - Supersello 3/8" (10mm)	Raccord - Superseal 3/8" (10mm)
4	70822C	Fitting - Superseal 3/8" (6 mm)	Accesorio - Supersello 1/4" (6 mm)	Raccord - Superseal 1/4" (6mm)
5	51299C	Filter Assy	Ensamblado del Filtro	Ens. filtre
6	70818C	Elbow - 3/8" (10mm)	Codo - 3/8" (10 mm)	Coude - 3/8" (10mm)
7	22490C	Bracket	Fijador	Support

PARTS LIST/ LISTA DE PIEZAS/ LISTE DES PIÈCES

ITEM NO	PART NO	DESCRIPTION
1	111411443890	Screw - #8-36 Tri-Lobed
2	56005C	Shroud - Upper
3	35948C	Switch - Electrical
4	35949C	Wiring Harness(Front Side Push)
	36089C	Wiring Harness(Front Push)
5	36004C	Wire - Jumper
6	55999C	Pushbar - Front
7	56002C	Pushbar - Side
	56074C	Pushbar - Filler Side
8	56071C	Drain
9	50129C	Bumper - Press Bar
10	70012C	Nut - Lock 3/8 x 18
11	61314C	Regulator
12	50986C	Holder - Regulator
13	27846C	Shroud - Fan Top
14	27847C	Shroud - Fan Bottom
15	35978C	Power Cord
	35980C	Power Cord L/Refrig
16	30664C	Fan Blade
17	70018C	Hex Nut - Fan Blade
18	31490C	Fan Motor
19	70009C	Screw - (Fan Motor)
20	75583C	Elbow - John Guest
21	27864C	Wrapper - TL R - Light Gray
	27862C	Wrapper - TL R - Stainless Steel
	27854C	Wrapper - TL L - Light Gray
	27852C	Wrapper - TL L - Stainless Steel
22	40319C	Fitting - Orifice
23	50171C	O-Ring
24	50314C	Flow Straightener
25	62152C	Condenser
26	66202C	Drier
27	101516143550	Stud - Compressor Mtg.
28	100806740570	Grommet - Compressor Mtg.
29	19037000	Clip - Compressor Mtg.
30*	36086C	Compressor Serv. Pak EMI70HER
31	36084C	Relay
32	35768C	Cover - Relay
33	66576C	Heat Exchanger
34	66575C	Drain Tube
35	75584C	Clamp - Drain
36	55001109	Basin - Stainless Steel
37	31513C	Cold Control
38	66534C	Evaporator Assembly
39	70002C	Screw - #10 x 1/2" Lg. HHSM
40	56011C	Housing Assembly
41	55997C	Pedestal
42	36083C	Overload
43	27965C	Hanger Bracket
44	75532C	Screw - #10-16 x 63 THSM
45	56082C	Nut - Regulator
46	56073C	Bubbler Assembly
47	35981C	Valve - Solenoid
48	56092C	Poly Tubing (Cut to length)
49	66575C	Tube - Drain
50	45463C	Waste Line Assembly TL
51	66595C	Tube - L/Refrig. to TL
52	66612C	Tube - Drain EZTL
53	70682C	Tee 1/4
54	100322740560	Gasket - Black .68 x 1.03
55	45392C	Body -Bubbler
56	15008C	Nipple - Bubbler
NS	28020C	Wrapper - Filler (not shown)
-	See Filter Tbl	Water Filter Kit (When Provided)

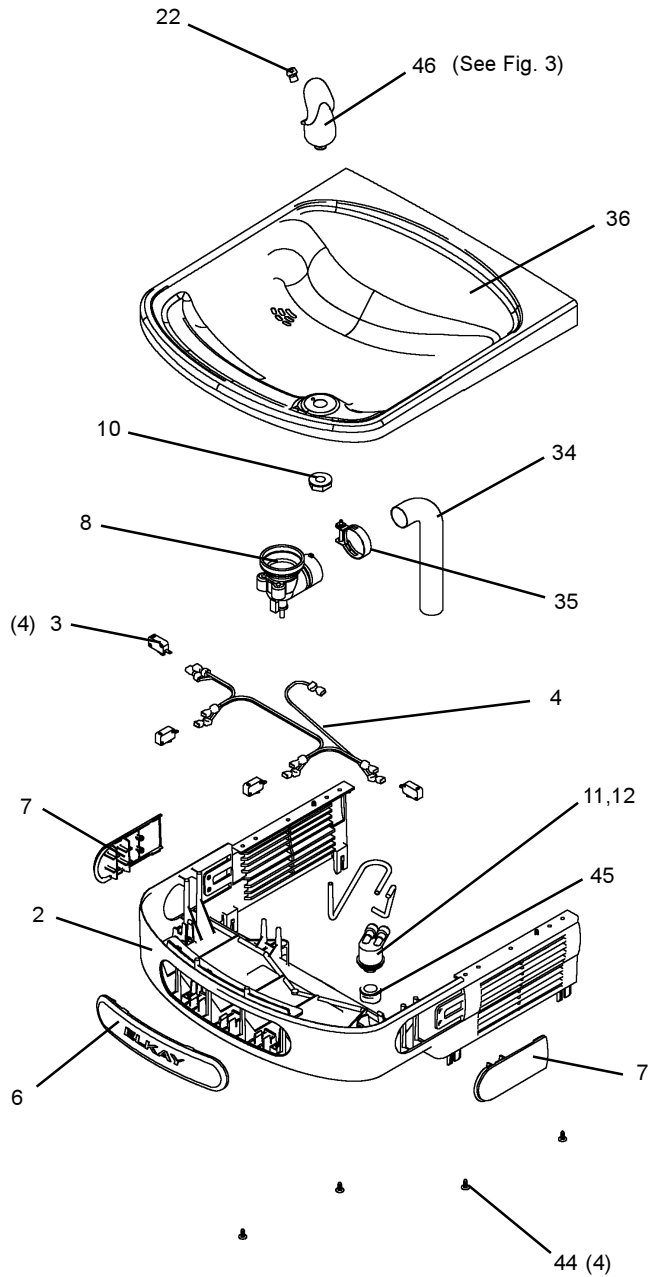


FIG 5

230V PARTS LIST		
15	36066C	Power Cord
	36067C	Power Cord L/Refrig.
18	31431C	Fan Motor
30*	36068C	Compressor Serv. Pak
42	36049C	Overload
31	36050C	Relay
47	36051C	Valve - Solenoid
NS	28030C	Brkt - Power Inlet
NS	35826C	Inlet Power

\*REPLACE WITH SAME COMPRESSOR USED IN ORIGINAL ASSEMBLY.  
 NOTE: All correspondence pertaining to any of the above water coolers or orders for repair parts MUST include Model No. and Serial No. of cooler, name and part number of replacement part.

PRINTED IN U.S.A.

FOR PARTS, CONTACT YOUR LOCAL DISTRIBUTOR OR CALL 1.800.323.0620