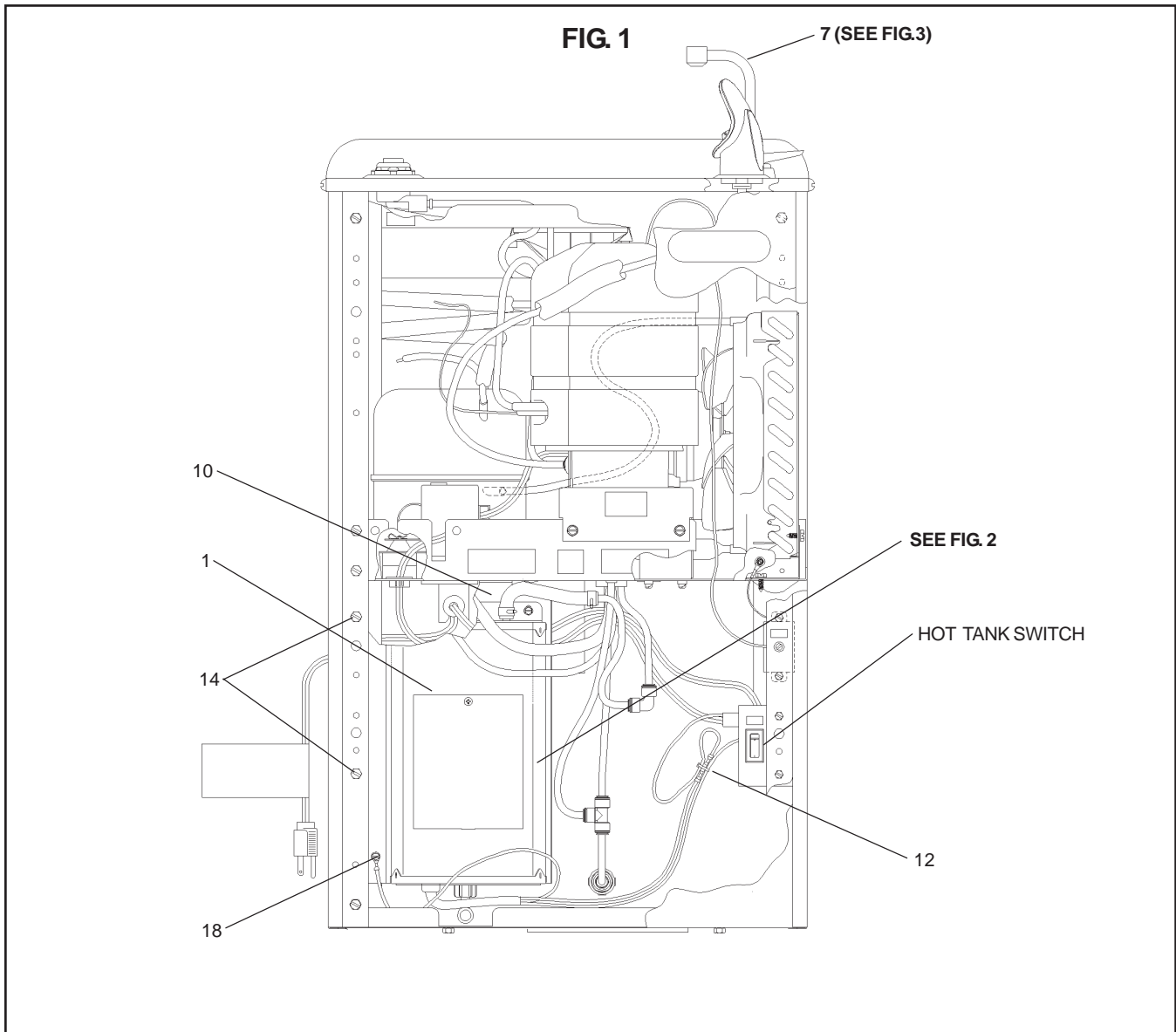


# EWHA8/14

## Hot Tank Installation Instructions

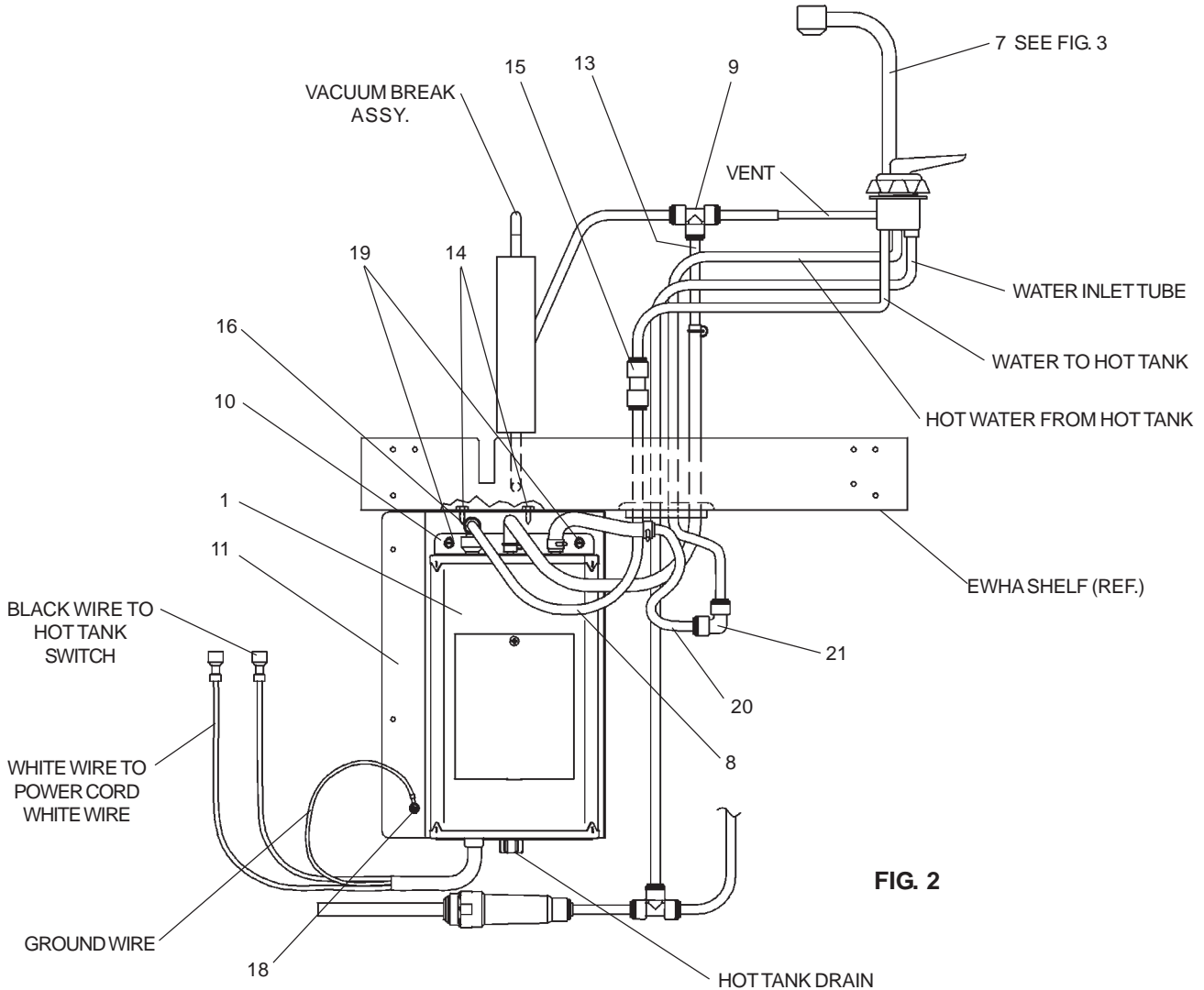
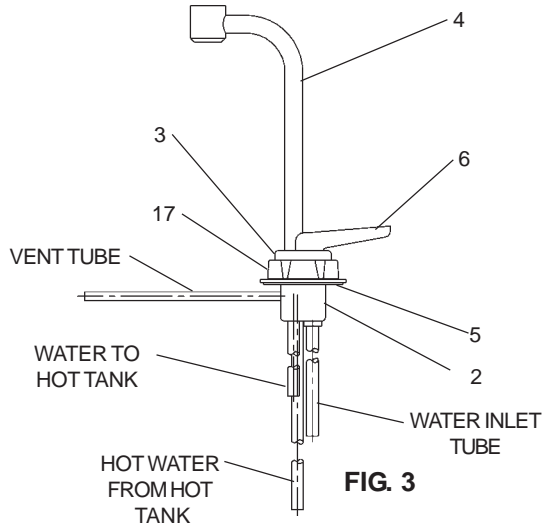


### HOT TANK REPLACEMENT INSTRUCTIONS

1. Disconnect electrical power to the water cooler and shut off water supply to the unit.
2. Remove the necessary panel(s) to gain access to the hot tank. Move hot tank switch to the OFF position.
3. Drain the hot tank by removing the drain plug from the bottom of the tank.
4. Remove old hot valve assembly from basin. DO NOT use old hot valve assembly with new hot tank.
5. Disconnect the wiring from the old hot tank and remove wire from hot tank to switch (jumper wire).
6. Remove the old hot tank from the unit. Unit may need to be removed from wall to remove the hot tank.
7. Remove new hot tank from packaging. Insert elbow fitting (Item 16) into quick connect fitting on top of hot tank. Take the clear vinyl tubing and push it onto the middle barb fitting on the top of the tank. Take the silicone tubing and push it onto the larger barbed fitting on the top of the tank. Install the new hot tank onto mounting bracket (Item 11) per Fig.2. Then install that assembly into the unit as per Fig. 1 using four screws (Item 14) to secure it in place.
8. Install new hot valve body (Item 2) into basin through existing hole, using body gasket (Item 5), Shroud (Item 3) & nut (item 17). Attach red handle (Item 6) to hot valve body. Route the hot valve tubes to the hot tank as shown in Fig. 2, using the gray quick connect fitting for the water to hot tank tube (This quick connect fitting mates up the blue poly tubing (Item 8) and elbow (Item 16) installed in step #7). Mate up the silicone tubing to the hot water line from the valve using a hose clamp, tube (Item 20) and elbow (Item 21) as shown in Fig. 2. Install quick connect tee (Item 9) per Fig. 2. Use copper tube (Item 13) to mate the clear vinyl vent tube from hot tank to the tee. To insert tubing, push tube straight into fitting until it reaches a positive stop, approximately 3/4". To remove tubing from fitting, relieve water pressure and push in on gray collar while pulling on tubing.
9. Connect new hot tank wiring by connecting the black wire on to the switch, the white wire mates to the white wire from the existing wiring harness. Attach the green ground wire to the mounting bracket with screw (Item 18) as shown in FIG. 1.
10. Place the unit back into position and reconnect water and drain lines.
11. Turn on the water supply and fill the hot tank with water by depressing the hot tank valve lever (Item 9). CHECK FOR LEAKS.  
\* CAUTION \* - Do not turn on hot tank without completely filling with water. FAILURE to do so will result in hot tank damage.
12. Plug unit in, making sure the compressor and fan run and the hot tank produces hot water.
13. Replace panels.

**PARTS LIST**

ITEM NO.	PART NO.	DESCRIPTION
1	36204C	Hot Tank Assy. (115V)
	36205C	Hot Tank Assy. (220V)
2	40585C	Hot Valve Body Assy.
3	40596C	Shroud - Hot Valve
4	40597C	Gooseneck
5	33659000	Body Gasket
6	51543C	Handle
7	45820C	Hot Valve Assy. (Items 2 - 6 & 17)
8	56092C	Poly Tubing (Cut to length)
9	70682C	Tee - 1/4 x 1/4 x 1/4
10	28438C	Bracket - Hold Down
11	28445C	Bracket - Hot Tank Mounting
12	50210C	Tie Wrap
13	66742C	Tube - 3/16 x 3.00" Lg.
14	70002C	Screw - #10 x .50" Lg. HHSM
15	70683C	Union - 1/4 x 1/4 Fitting
16	70817C	Elbow - 1/4" Tube X 90°
17	70921C	Nut - Mounting
18	111411443890	Screw - #8 x .38" Lg. Tri-Lobed
19	38417001	Screw - #8 - 18 x .38" Lg. HHSM
20	66169C	Tube - 1/4 x 8.5" Lg.
21	70793C	Elbow - 1/4 x 1/4 Fitting



PRINTED IN U.S.A.

FOR PARTS, CONTACT YOUR LOCAL DISTRIBUTOR OR CALL 1.800.323.0620

REPAIR SERVICE INFORMATION TOLL FREE NUMBER 1.800.260.6640

ELKAY MANUFACTURING COMPANY • 2222 CAMDEN COURT • OAK BROOK, IL 60523 • 630.574.8484