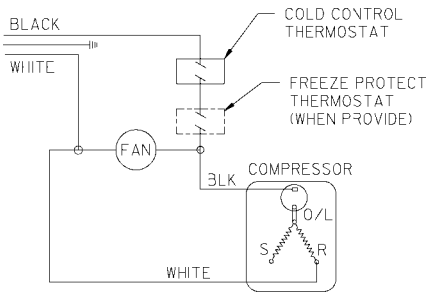
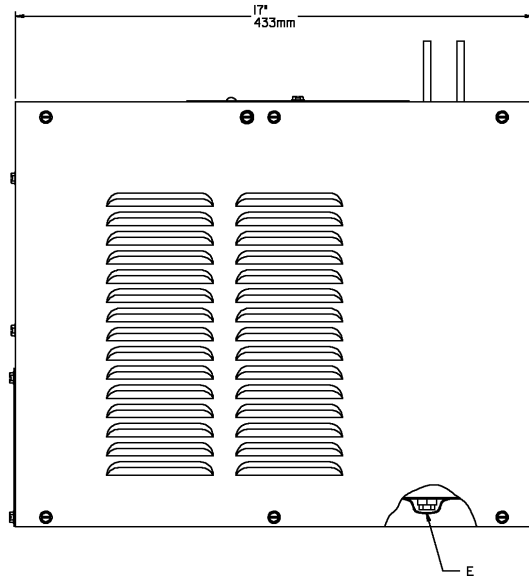
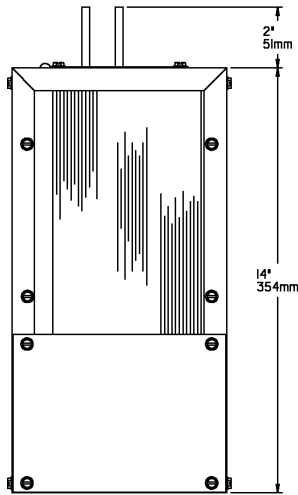
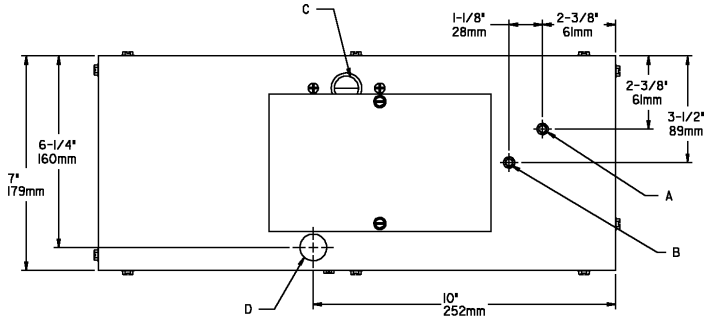


Installation / Care / Use Manual

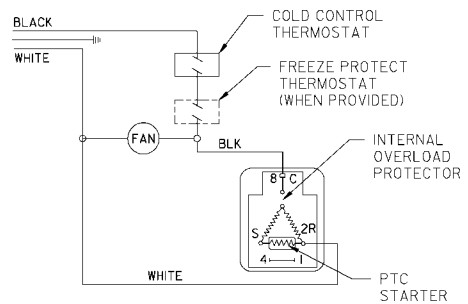
MODELS: ERS1-1D/2D TRS1-1D/2D EWC100 Refrigeration Packages

LEGEND

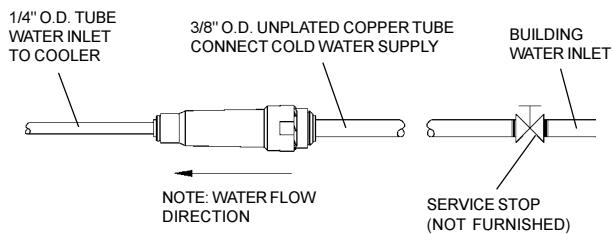
- A = 1/4" O.D. TUBE WATER OUTLET
- B = 1/4" O.D. TUBE WATER INLET
- C = TEMPERATURE ADJUSTMENT
- D = ELECTRICAL
- E = TANK DRAIN



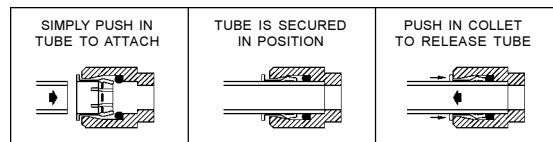
220/240V WIRING DIAGRAM



115V WIRING DIAGRAM



OPERATION OF QUICK CONNECT FITTINGS



PUSHING TUBE IN BEFORE PULLING IT OUT HELPS TO RELEASE TUBE

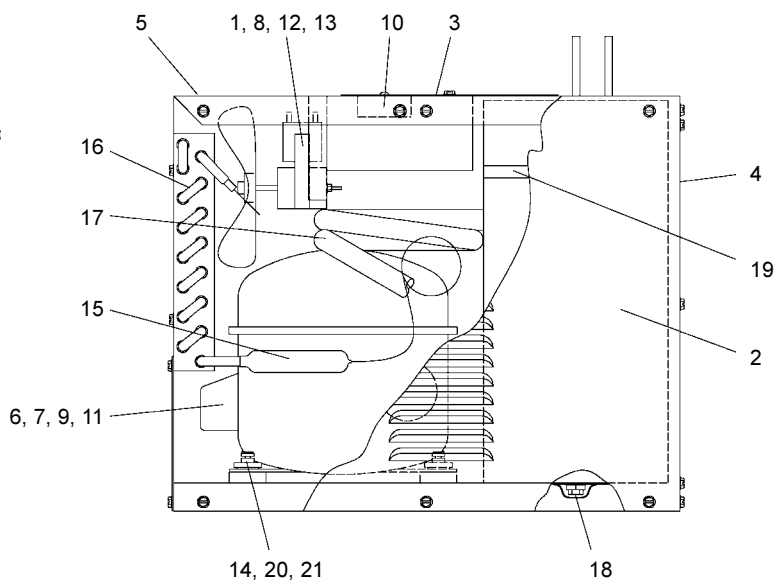
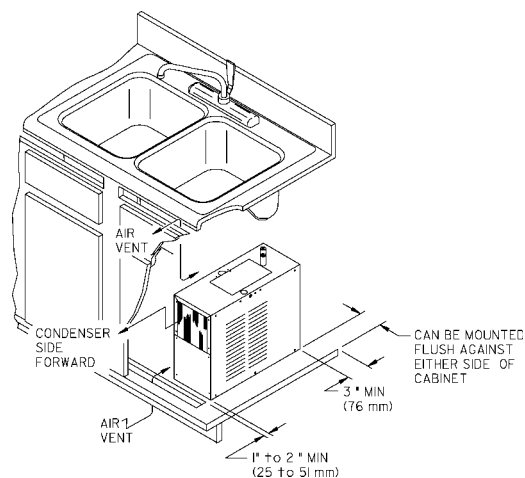
ITEMIZED PARTS LIST		
ITEM NO.	PART NO.	DESCRIPTION
1	22000C	BRACKET - FAN MOTOR
2	23084C	PANEL - FRONT
3	23085C	ELECTRICAL COVER
4	23086C	PANEL - RIGHT SIDE & BACK
5	23087C	LEFT SIDE & TOP ASSY
6	30750C	COVER - TERMINAL
7	30751C	BALE STRAP
8	30824C	BLADE - FAN
9	30831C	RELAY
10	31513C	COLD CONTROL
11*	35815C	COMPRESSOR SERVICE PAK
12	31341C	MOTOR - FAN 115V
13	111543043890	NUT #6 HEX (FAN MOTOR MTG)
14	100806740570	GROMMET
15	66199C	DRIER
16	61521C	CONDENSER
17	66308C	HEAT EXCHANGER
18	62031C	DRAIN PLUG
19	66363C	EVAPORATOR TANK ASSY
20	101516143550	STUD - COMPRESSOR MOUNTING
21	19037000	CLIP
22	55996C	STRAINER
23	70683C	UNION 1/4 X 1/4

220/240V, 50 HZ

ITEM NO.	PART NO.	DESCRIPTION
6	30583C	COVER - TERMINAL
7	30584C	BALE STRAP
9	30622C	RELAY
11*	31904C	COMPRESSOR SERVICE PAK
12	31395C	MOTOR - FAN
-	31407C	OVERLOAD/RELAY

*INCLUDES RELAY & OVERLOAD. IF UNDER WARRANTY, REPLACE WITH SAME COMPRESSOR USED IN ORIGINAL ASSEMBLY.

NOTE: All correspondence pertaining to any of the above water cooler or orders for repair parts MUST include model number and serial number of cooler, name and part number of replacement part.



INSTALLATION

1. This unit is intended to be installed underneath a conventional kitchen sink, in a cabinet not less than 36" (914mm) wide (inside dimension). Two air openings with a minimum of 40" square (1016mm/square) each, minimum of 75% open area, must be provided in the cabinet. One opening must be in the overhang of the toe space. The other opening near the top of the cabinet. The remote unit must be installed with a minimum of 3" clearance between the unit and the rear wall of the cabinet. It can be installed flush against either side wall of the cabinet. The side louvers which are not against the cabinet must not be blocked by objects located within 4" (102mm) of the louvers. In addition, a minimum of 1 to 2" (25 to 51mm) clearance must be provided between the toe space air opening and front of the unit.
2. Water inlet and outlet are 1/4" (6 mm) O.D. tubes with connectors supplied.
3. Connecting lines to be of copper, thoroughly flushed to remove all foreign matter before being connected to cooler.
4. Connect cooler to building supply line with a shut-off valve and install a 3/8" O.D. (10mm) unplated copper tube between the valve and cooler. Remove burr from outside of water line. Insert water line into fitting until it reaches a positive stop, approximately 3/4" (19mm).
5. Electrical: Make sure power supply is identical in voltage, cycle, and phase to that specified on cooler serial plate. Never wire compressor directly to the power supply.

START-UP

1. Open supply line valve.
2. Purge air from all water lines by operating bubbler valve of fountain to which cooler is connected. Steady stream assures all air is removed.
3. Rotate fan to insure proper clearance and free fan action.
4. Connect to electrical power.

TROUBLE SHOOTING & MAINTENANCE

Temperature Control: Factory set at 45°F (± 2°) under normal conditions. For colder water, adjust screw on item no. 10 in clockwise direction.

Ventilation: Cabinet louvers and condenser fins should be periodically cleaned with brush, air hose or vacuum cleaner. Excess dirt or poor ventilation can cause no cold water and compressor cycling on the compressor overload protector.

Lubrication: Motors are lifetime lubricated.

Actuation of Quick Connect Water Fittings: Cooler is provided with lead-free connectors which utilize an o-ring seal. To remove tubing from the fittings, relieve water pressure, push in on gray collar while pulling on the tubing. To insert tubing, push tube straight into fitting until it reaches a positive stop, approximately 3/4".