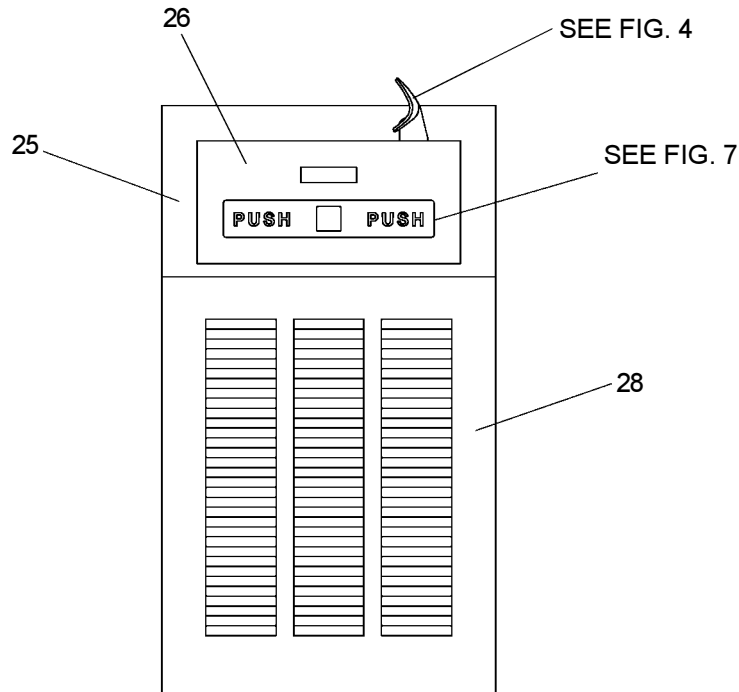


# Installation/Care/Use Manual

## Refrigerated Fountains with FLEXI-GUARD®



### Installer

To assure you install this model easily and correctly, PLEASE READ THESE SIMPLE INSTRUCTIONS BEFORE STARTING THE INSTALLATION. CHECK YOUR INSTALLATION FOR COMPLIANCE WITH PLUMBING, ELECTRICAL AND OTHER APPLICABLE CODES. After installation, leave these instructions inside the fountain for future reference.

### IMPORTANT

ALL SERVICE TO BE PERFORMED BY AN AUTHORIZED SERVICE PERSON

### IMPORTANT! INSTALLER PLEASE NOTE.

THE GROUNDING OF ELECTRICAL EQUIPMENT SUCH AS TELEPHONE, COMPUTERS, ETC. TO WATER LINES IS A COMMON PROCEDURE. THIS GROUNDING MAY BE IN THE BUILDING OR MAY OCCUR AWAY FROM THE BUILDING. THIS GROUNDING CAN CAUSE ELECTRICAL FEEDBACK INTO A FOUNTAIN, CREATING AN ELECTROLYSIS WHICH CAUSES A METALLIC TASTE OR AN INCREASE IN THE METAL CONTENT OF THE WATER. THIS CONDITION IS AVOIDABLE BY USING THE PROPER MATERIALS AS INDICATED. ANY DRAIN FITTINGS PROVIDED BY THE INSTALLER SHOULD BE MADE OF PLASTIC TO ELECTRICALLY ISOLATE THE FOUNTAIN FROM THE BUILDING PLUMBING SYSTEM.

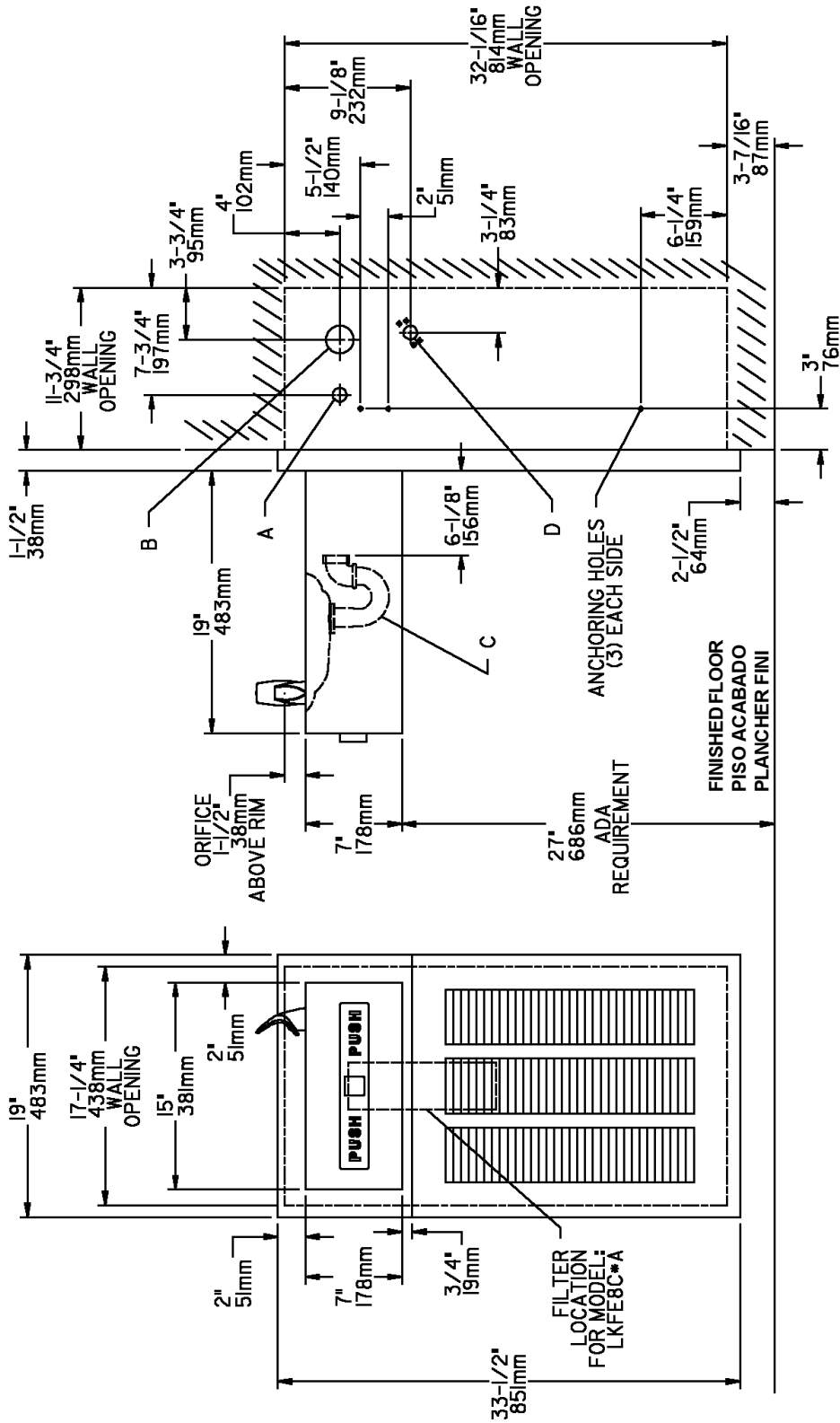


FIG. 1

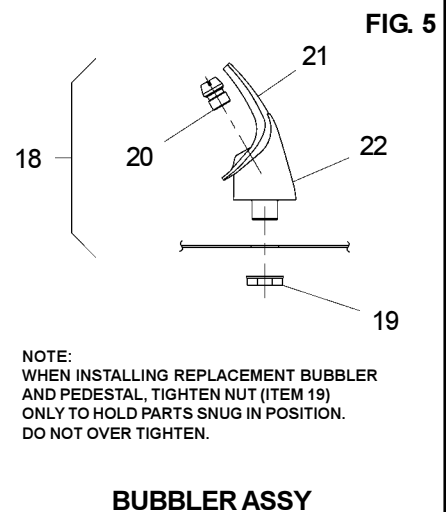
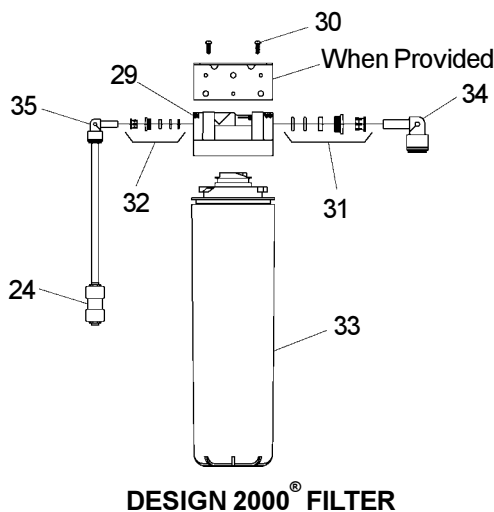
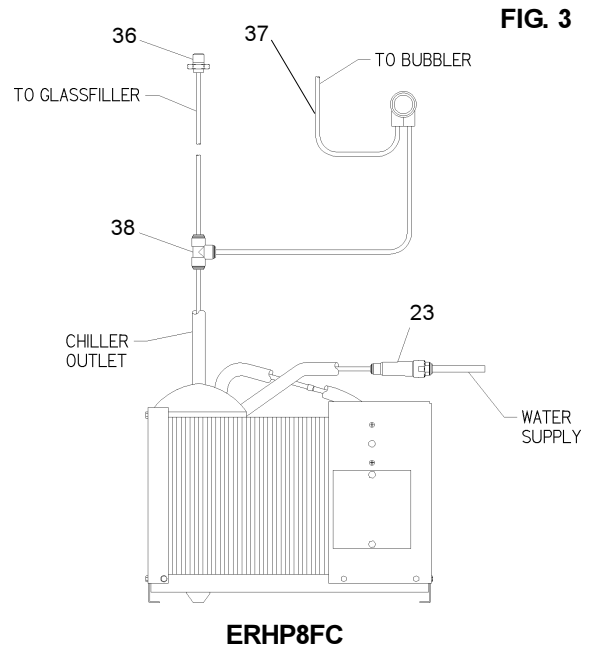
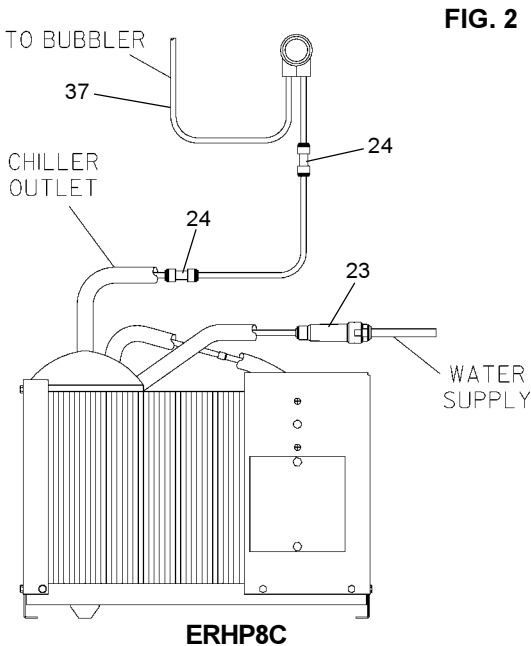
**LEGEND/LEYENDA/LÉGENDE**  
**A = RECOMMENDED WATER SUPPLY LOCATION 3/8 O.D. UNPLATED COPPER TUBE CONNECT STUB 1-1/2 IN. (38mm) OUT FROM WALL SHUT OFF BY OTHERS**  
 SE RECOMIENDA UBICAR EL TUBO CORTO DE CONEXIÓN AL TUBO CORTO DE COBRE SIN CHAPAR DE 3/8" DE DIÁM. EXT. A 1-1/2" (38mm) FUERA DE LA LAVÉ DE PASO EN LA PARED COLOCADA POR TERCEROS.  
 EMPACEMENT RECOMMANDÉ D'ALIMENTATION EN EAU PAR TUBE EN CUIVRE NON PLAQUÉ DE 3/8 PO. (9,5 mm) D.E. CONNECTANT UNE TUYAUTERIE DE 1-1/2 PO. (38mm) DEPUIS LE ROBINET D'ARRÊT FOURNI PAR D'AUTRES.  
**B = RECOMMENDED LOCATION FOR WASTE OUTLET 1-1/4" O.D. DRAIN**  
 UBICACIÓN RECOMENDADA PARA EL DRENAJE DE SALIDA DE AGUA. DE 1 1/4" DE DIÁMETRO.  
 EMPACEMENT RECOMMANDÉ POUR LE DRAIN DE D.E. 1-1/4" DE SORTIE D'EAU.

**C = 1-1/4 TRAP FURNISHED**  
 PURGADOR DE 1 1/4 PROPORCIONADO  
 SIPHON 1-1/4 FOURNI

**D = ELECTRICAL OUTLET LOCATION**  
 UBICACIÓN DE LA TOMA DE ELECTRICIDAD  
 EMPACEMENT DE LA PRISE DE COURANT

## INSTALLATION INSTRUCTIONS

1. **Fasten** mounting box into wall cutout using (6) screws or bolts (provided by others) through holes or knockouts provided on each side of the mounting box. (See Fig. 1)
2. **Mount** back panel using (2) screws supplied.
3. **Hang** fountain body and back panel using (2) screws and nuts provided.
4. **Secure** fountain body and back panel to wall box using (4) screws and nuts provided.
5. **Place** refrigeration package inside mounting box and connect water outlet tube on refrigeration package to water in tube on regulator holder (Item 5) with tubing and fitting provided. (See Fig 2 or 3)
6. **Water** inlet is 3/8" O.D. and waste is 1-1/4" O.D. slip trap. (Both provided)
7. **Connecting** lines to be unplated copper and thoroughly flushed to remove all foreign matter before connecting to refrigeration package. The furnished strainer (Item 23) should be added to the supply line.
8. **Connect** refrigeration package to supply line with a shut off valve and install a 3/8" unplated copper water line between the valve and the cooler. Remove burrs from outside of water line. Insert water line straight into fittings until they reach a positive stop, approximately 3/4" (19mm). (See Fig. 6 and 7) **DO NOT SOLDER TUBES INSERTED INTO THE STRAINER AS DAMAGE TO THE O-RINGS MAY RESULT.**
9. **Electrical:** Insure power supply is identical in voltage, hertz, and phase to that specified on the refrigeration package serial plate. Never wire compressor directly to the power supply.
10. **Turn** water supply on and check thoroughly for leaks.
11. **Release** air from tank by depressing push bar; a steady stream of water assures all air is removed.
12. **Re-check** for leaks.
13. **Stream** height is factory set at 35 PSI. If supply pressure varies greatly from this, turn adjustment screw on regulator (Item 7). Clockwise adjustment will raise the stream height and counter-clockwise adjustment will lower stream height. For best adjustment, stream should hit basin approximately 6-1/2" from the bubbler.
14. **Rotate** fan blade on refrigeration package to insure proper clearance and free fan action.
15. **Connect** power supply.
16. **Replace** access panel and install grill as shown.



PARTS LIST		
ITEM NO.	PART NO.	DESCRIPTION
1	21696C	BRACKET-PUSH BAR MTG.
2	21708C	PUSH BAR ASSY
	27600C	PUSH BAR ASSY (BRONZETONE)
3	75532C	SCREW - #10 X .50 PHTH TYPE AB
4	21695C	LEVER - PUSH
5	50986C	HOLDER - REGULATOR
6	40045C	HEX NUT
7	61314C	REGULATOR
8	15005C	RETAINING NUT
9	75555C	CLIP
10	50198C	BUSHING - NYLON
11	70379C	ROD - PIVOT
12	70278C	ROD - PIVOT
13	70378C	ROD - PUSH
14	21705C	CLIP - PUSH ROD
15	70002C	SCREW - #10 X .50 HHSM
16	40206000	RETAINER
17	70023C	SET SCREW
18	51349C	BUBBLER ASSY
	56044C	BUBBLER ASSY (BRONZETONE)
19	70012C	LOCKNUT
20	40322C	ORIFICE ASSY
	45383C	ORIFICE ASSY (BRONZETONE)
21	50934C	HOUSING ASSEMBLY
22	50168C	PEDESTAL
	56042C	PEDESTAL (BRONZETONE)
23	55996C	STRAINER
24	70683C	UNION-1/4 X 1/4
25	55000777	BACK PANEL ASSY
	27613C	BACK PANEL ASSY (BRONZETONE)
26	55001083	FTN BODY ASSY
	27606C	FTN BODY ASSY (BRONZETONE)
	28206C	FTN BODY ASSY (GLASSFILLER)
27	LK464	DRAIN
	LK464BT	DRAIN (BRONZETONE)
28	EG23	GRILL
	EG23BT	GRILL (BRONZETONE)
29	51294C	FILTER HEAD ASSY
30	70792C	SCREW - #8-18 X .75" PH
31	70823C	FITTING-SUPERSEAL 3/8" (10mm)
32	70822C	FITTING-SUPERSEAL 1/4" (6mm)
33	51299C	FILTER ASSY
34	70818C	ELBOW-3/8" (10mm)
35	70817C	ELBOW-1/4" (6mm)
36	15009C	NIPPLE ASSY
37	56092C	POLY-TUBING 48" (CUT TO LENGTH)
38	70682C	TEE - 1/4

OPERATION OF QUICK CONNECT FITTINGS

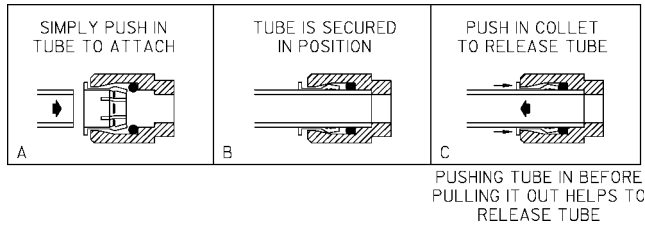


FIG. 6

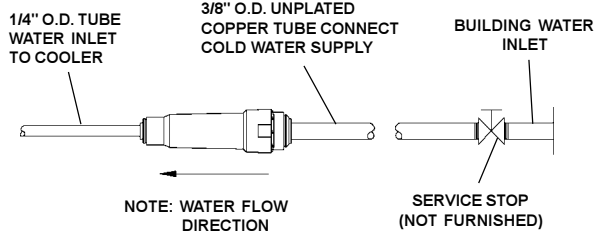
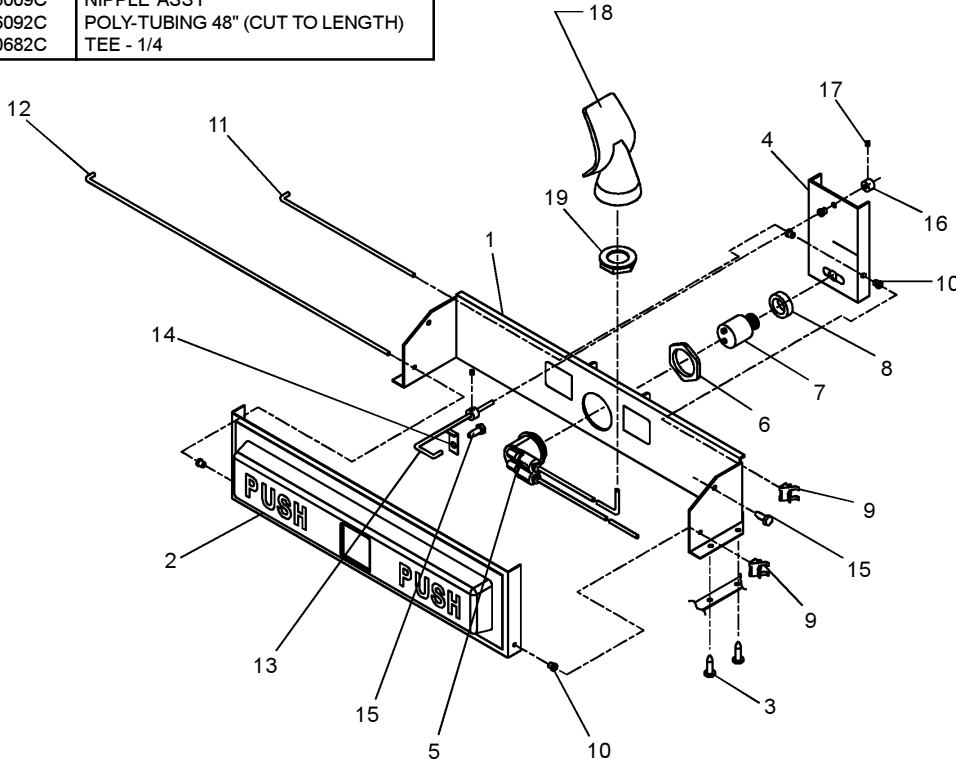


FIG. 7

TROUBLE SHOOTING AND MAINTENANCE

- Orifice Assy:** Minerals deposits on orifice can cause water flow to spurt or not regulate. Mineral deposits may be removed from the orifice with a small round file not over 1/8" diameter or a small diameter wire.  
**CAUTION:** Do not file or cut orifice materials.
- Stream Regulator:** If orifice is free of material deposits regulate water flow according to instructions on page 3.
- CAUTION:** Cleaning of Bronzestone Models requires special care. Outer surfaces must be cleaned with a mild detergent or mixture of vinegar and water only, rinsed and wiped dry. Abrasive and acidic cleaners may eventually damage the Bronzestone finish.

FIG. 8



FOR PARTS, CONTACT YOUR LOCAL DISTRIBUTOR OR CALL 1.800.323.0620  
ELKAY MANUFACTURING COMPANY • 2222 CAMDEN COURT • OAK BROOK, IL 60523 • 630.574.8484