

# ELKAY<sup>®</sup>

## SPECIFICATIONS

### Avado™ Collection

### Undermount Single Bowl Sink

### Model EFU211510

#### GENERAL

Highest quality sink fabricated of #16 (1.6mm) gauge, type 304 (18-8) nickel bearing stainless steel.

#### DESIGN FEATURES

Bowl Depth: 10" (254mm).

Coved Corners: Zero radius.

Finish: Exposed surfaces are polished to a bright satin finish.

Underside: Fully protected by heavy duty Sound Guard<sup>®</sup> under-coating to dampen sound and prevent condensation.

#### OTHER

Drain Opening: 3-1/2" (89mm).

NOTE: All Elkay undermount sinks are designed to attach to the underside of any solid surface countertop.

This sink complies with ASME A112.19.3.

#### OPTIONAL ACCESSORIES

Rinsing Baskets: LKWRB2115SS, LKWERBSS.

Utensil Caddy for Rinsing Basket: LKWUCSS.

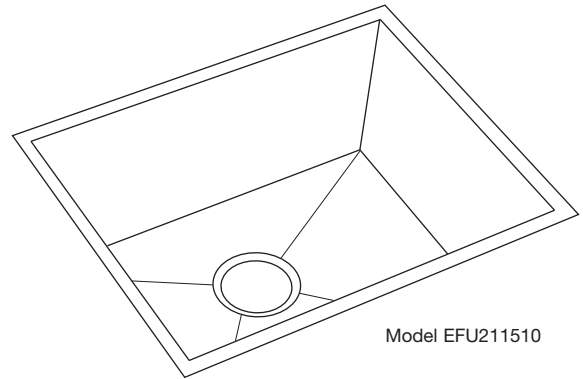
Bottom Grid: LKWOBG2115SS.

#### SINK DIMENSIONS\*

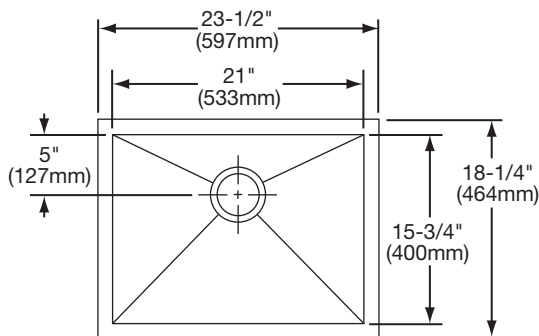
Model Number	Overall		Inside Bowl			Cutout in Countertop	Minimum Cabinet Size
	L	W	L	W	D		
EFU211510	23 1/2 (597mm)	18 1/4 (464mm)	21 (533mm)	15 3/4 (400mm)	10 (254mm)	See Template**	27 (686mm)

\*Length is left to right. Width is front to back.

\*\*Template and countertop mounting clips are packed with every sink.



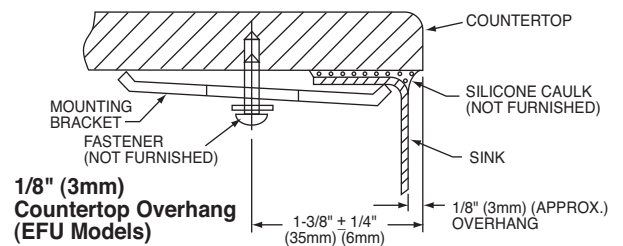
Model EFU211510



Model EFU211510 Illustrated

#### Installation Profile of EFU Models

The template provided with each EFU sink provides the only type of installation recommended by Elkay.



**1/8" (3mm)  
Countertop Overhang  
(EFU Models)**

In keeping with our policy of continuing product improvement, Elkay reserves the right to change product specifications without notice. Please visit [elkayusa.com](http://elkayusa.com) for most current version of Elkay product specification sheets.

This specification describes an Elkay product with design, quality and functional benefits to the user. When making a comparison of other producers' offerings, be certain these features are not overlooked.

**Elkay**

[elkayusa.com](http://elkayusa.com)

2222 Camden Court  
Oak Brook, IL 60523

Printed in U.S.A.  
©2008 Elkay

(Rev. 7/08) 1-214B