

With FLEXI-GUARD®

# Installation/Care/Use Manual

USES HFC-134A REFRIGERANT

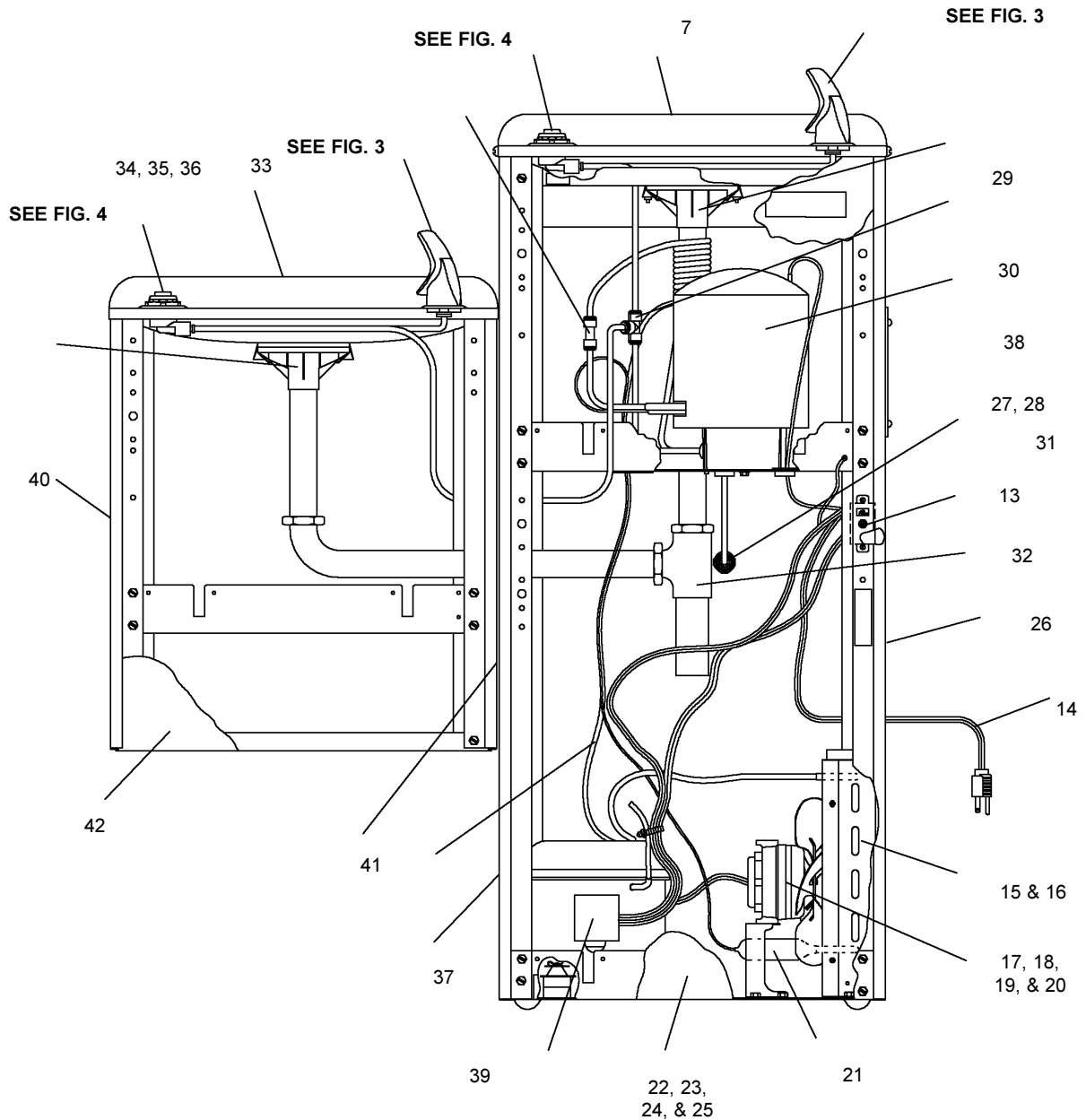


FIG. 1

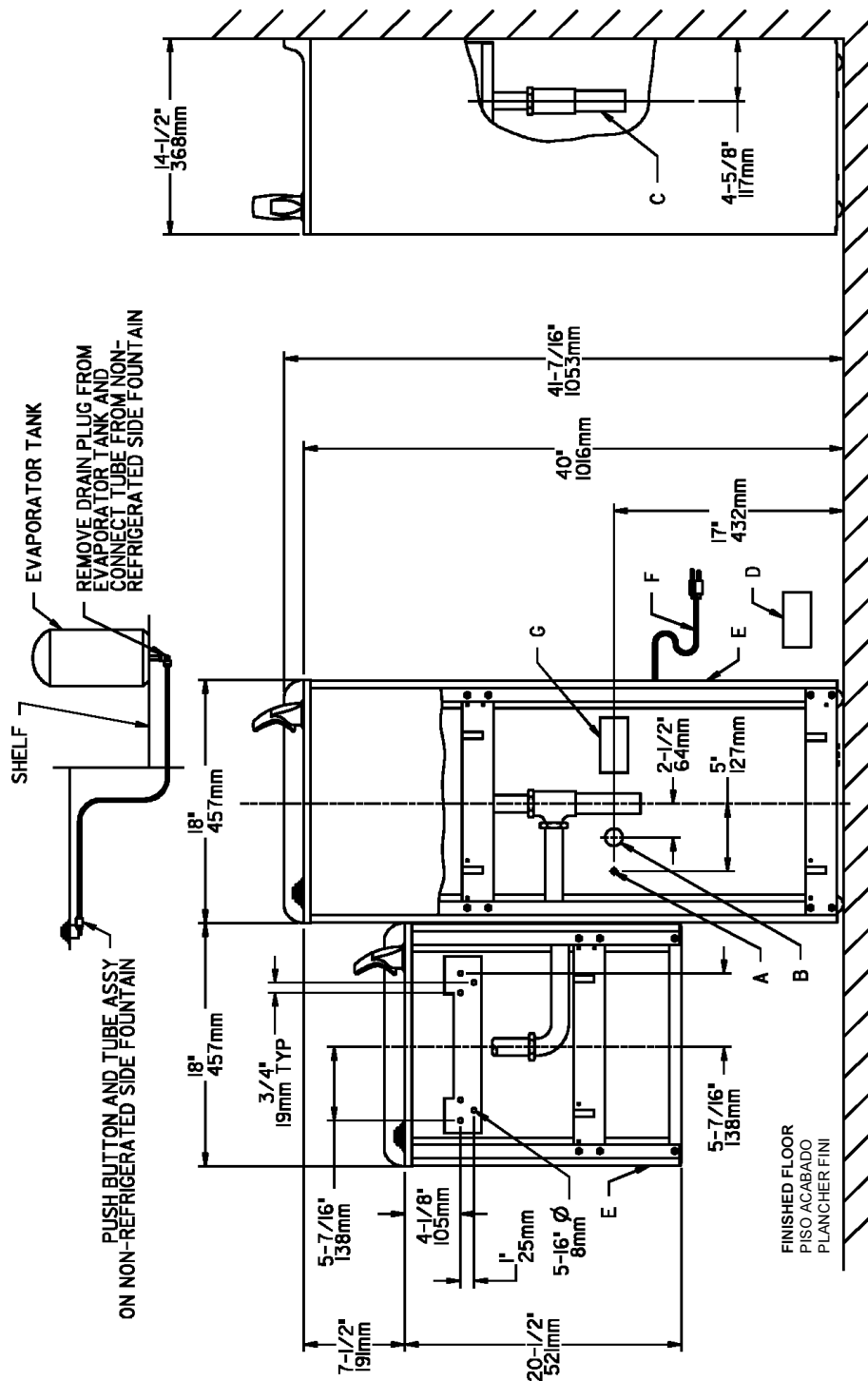


FIG. 2

LEGEND/LEYENDA/LEGENDE

A = RECOMMENDED WATER SUPPLY LOCATION 3/8 O.D. UNPLATED COPPER TUBE CONNECT STUB 1-1/2 IN. (38mm) OUT FROM WALL SHUT OFF BY OTHERS

SE RECOMIENDA UBICAR EL TUBO CORTO DE CONEXIÓN AL TUBO DE COBRE SIN CHAPAR DE 3/8" DE DIAM. EXT. A 1-1/2" (38mm) FUERA DE LA LAVE DE PASEO EN LA PARED COLOCADA POR TERCEROS.

EMPLACEMENT RECOMMANDÉ D'ALIMENTATION EN L'EAU PAR TUBE EN CUIVRE NON PLAQUÉ DE 3/8 PO. (9.5 mm) D.E. CONNECTANT UNE TUYAUTERIE DE 1-1/2 PO. (38mm) DEPUIS LE ROBINET D'ARRÊT FOURNI PAR D'AUTRES.

B = RECOMMENDED LOCATION FOR WASTE OUTLET 1-1/2" O.D. DRAIN

UBICACIÓN RECOMENDADA PARA EL DRENAJE DE SALIDA DE AGUA, DE 1-1/2" DE DIÁMETRO.

C = 1-1/2" TRAP NOT FURNISHED\*\*

PURGADOR DE 1-1/2 NO PROPORCIONADO\*\*

SIPHON 1-1/2 NON FOURNI\*\*

D = ELECTRICAL OUTLET LOCATION

UBICACIÓN DE LA TOMA DE ELECTRICIDAD

EMPLACEMENT DE LA PRISE DE COURANT

E = INSURE PROPER VENTILATION BY MAINTAINING 4" (102mm) (MIN.) CLEARANCE FROM CABINET LOUVERS TO WALL. ASEGURE UNA VENTILACIÓN ADECUADA MANTENIENDO UN ESPACIO E 4" (102mm) (MIN.) DE HOLGURA ENTRE LA REJILLA DE VENTILACIÓN DEL MUEBLE Y LA PARED

ASSUREZ-VOUS UNE BONNE VENTILATION EN GARDANT 4" (102mm) (MIN.) ENTRE LES ÉVÉNENTS DE L'ENCEINTE ET LE MUR.

F = POWER CORD 4 FEET (1219mm) LONG

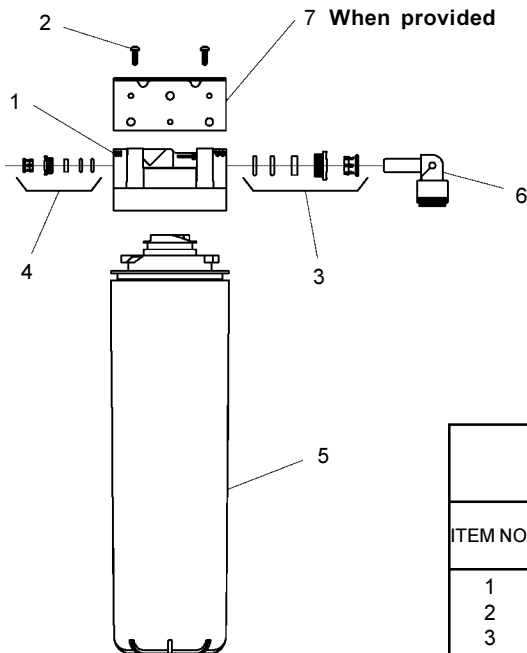
CABLE ELECTRIQUE DE 4 PIE (1219mm), DE LARGO

CORDON D'ALIMENTATION 4' (1219mm)

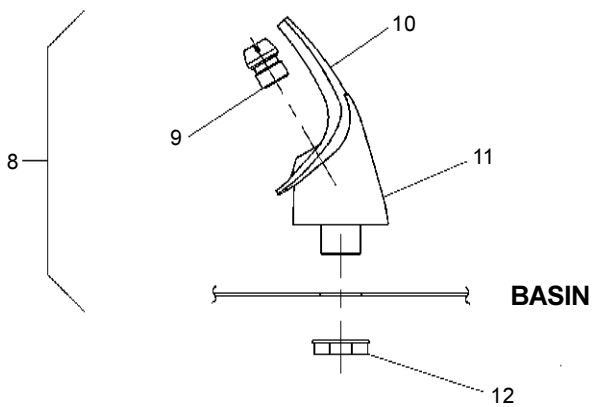
G = ALT. ELECTRICAL OUTLET LOCATION

UBICACIÓN ALT. DE LA TOMA DE ELECTRICIDAD

EMPLACEMENT ALTERNATIF DE LA PRISE DE COURANT



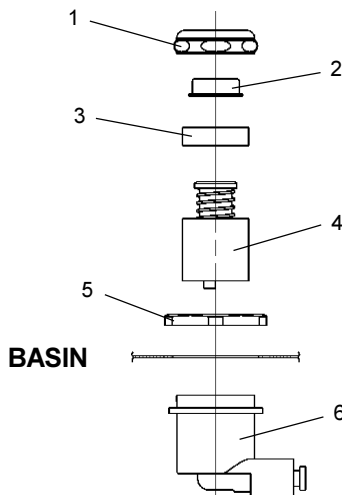
DESIGN 2000® FILTER PARTS LIST		
ITEM NO.	PART NO.	DESCRIPTION
1	51294C	Filter Head Assy
2	70792C	Screw #8-18 X .75 PH
3	70823C	Fitting - Superseal 3/8" (10mm)
4	70822C	Fitting - Superseal 1/4" (6mm)
5	51299C	Filter Assy
6	70818C	Elbow - 3/8" (10mm)
7	22490C	Bracket



**NOTE:**  
**WHEN INSTALLING REPLACEMENT BUBBLER AND PEDESTAL, TIGHTEN NUT (ITEM 12) ONLY TO HOLD PARTS SNUG IN POSITION. DO NOT OVER TIGHTEN.**

**FIG. 3**

Stream height is factory set at 35 PSI. If supply pressure varies greatly from this, remove Items 1 & 2 and adjust screw on Item 4. Clockwise adjustment will raise stream and counter-clockwise adjustment will lower stream. For best adjustment, stream should hit basin approximately 6-1/2" (165mm) from bubbler.



**FIG. 4**

EFTLA 8, 14\*1C LFTLA 14, 20\*1C

PARTS LIST 115V

220/240v 50/60 Hz

ITEM NO.	PART NO.	DESCRIPTION
1	40089C	Cover
2	40048C	Button
3	15005C	Regulator Retaining Nut
4	61313C	Regulator
5	40169C	Hex Nut
6	50986C	Regulator Holder
7	20776C	Basin
8	51349C	Bubbler Assy
9	40322C	Orifice Assy
10	50934C	Housing Assy
11	50168C	Pedestal
12	70012C	Bubbler Locknut
13	31513C	Cold Control
14	31503C	Power Cord (8, 14 GPH)
	35886C	Power Cord (20 GPH)
15	61012C	Condenser (8 GPH)
	61013C	Condenser (14 GPH)
	66432C	Condenser (20 GPH)
16	21516C	Fan Shroud
17	31490C	Fan Motor (8, 14 GPH)
	31492C	Fan Motor (20 GPH)
18	30664C	Fan Blade
19	20239C	Fan Bracket
20	70018C	Fan Blade Nut
21	66201C	Drier (8 GPH)
	66202C	Drier (14 GPH)
	66203C	Drier (20 GPH)
22*	35787C	Compressor Serv. Pak 8 GPH
	35762C	Compressor Serv. Pak 14 GPH
	35775C	Compressor Serv. Pak 20 GPH
23	31034C	Overload/Relay Assy (8 GPH)
	31027C	Overload/Relay Assy (14 GPH)
	35840C	Overload (20 GPH)
	35843C	Relay (20 GPH)
24	35766C	Relay Cover
25	194243901550	Electrical Shield
26	55996C	Strainer
27	40430C	Precooler
28	55909C	Tailpipe Helix
29	66255C	Heat Exchanger (8 GPH)
	66229C	Heat Exchanger (14 GPH)
	66445C	Heat Exchanger (20GPH)
30	66421C	Evaporator (8, 14 GPH)
	66420C	Evaporator (20 GPH)
31	70836C	Reducing Elbow 3/8 to 1/4
32	40022C	Waste Connection Assy
33	20776C	Basin
34	40088C	Tailpipe Assy
35	50005C	Gasket/Tailpipe
36	70016C	Nut-Hex 10-32
37	See Color Table	Panel-Left Side (Right Unit)
38	See Color Table	Panel-Right Side (Right Unit)
39	See Color Table	Panel-Front (Right Unit)
40	See Color Table	Panel-Left Side (Left Unit)
41	See Color Table	Panel-Right Side (Left Unit)
42	See Color Table	Panel-Front (Left Unit)
NS	70767C	Evaporator Retaining Clip
NS	70772C	Evaporator Drain Plug

ITEM NO.	PART. NO.	DESCRIPTION
14	31440C	Power Cord
	31438C	Power Cord (220v/60Hz)
17	31430C	Fan Motor
	31431C	Fan Motor (220v/60Hz)
22*	35764C	Compressor Serv. Pak
	35856C	Compressor Serv. Pak. (220v/60Hz)
23	31028C	Overload/Relay Assy
	35799C	Overload (220v/60Hz)
	35805C	Relay (220v/60Hz)
24	35768C	Relay Cover

\*INCLUDES RELAY & OVERLOAD. IF UNDER WARRANTY, REPLACE WITH SAME COMPRESSOR USED IN ORIGINAL ASSEMBLY.

NOTE: All correspondence pertaining to any of the above water coolers or orders for repair parts MUST include Model No. and Serial No. of cooler, name and part number of replacement part.

COLOR TABLE						
PANEL COLOR	Item No. 37 Part No.	Item No. 38 Part No.	Item No. 39 Part No.	Item No. 40 Part No.	Item No. 41 Part No.	Item No. 42 Part No.
Gray Beige	20724C	20623C	20657C	20646C	20736C	20684C
Almond	21475C	21461C	20658C	21468C	21479C	20685C
Stainless Stl	20725C	20625C	20654C	20648C	20737C	20681C
Sandalwood	21474C	21459C	21450C	21466C	21478C	21456C
Granite	27183C	27168C	27147C	27177C	27189C	27153C