

# ELKAY<sup>®</sup>

## SPECIFICATIONS

### Avado™ Collection

### Undermount Single Bowl Sink

### Model EFRU191610

#### GENERAL

Highest quality sink formed of #16 (1.6mm) gauge, type 304 (18-8) nickel bearing stainless steel.

#### DESIGN FEATURES

Bowl Depth: 10" (254mm).

Coved Corners: Approximately 5/8" (15mm).

Finish: Exposed surfaces are polished to a bright satin finish.

Underside: Fully protected by heavy duty Sound Guard® undercoating designed to prevent condensation and dampen sound.

#### OTHER

Drain Opening: 3-1/2" (89mm).

NOTE: All Elkay undermount sinks are designed to attach to the underside of any solid surface countertop.

This sink complies with ASME A112.19.3.

#### OPTIONAL ACCESSORIES

Rinsing Baskets: LKWRB1418SS, LKWERBSS.

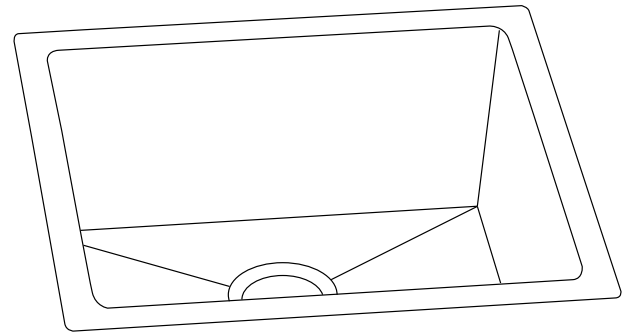
Utensil Caddy for Rinsing Basket: LKWUCSS.

#### SINK DIMENSIONS\*

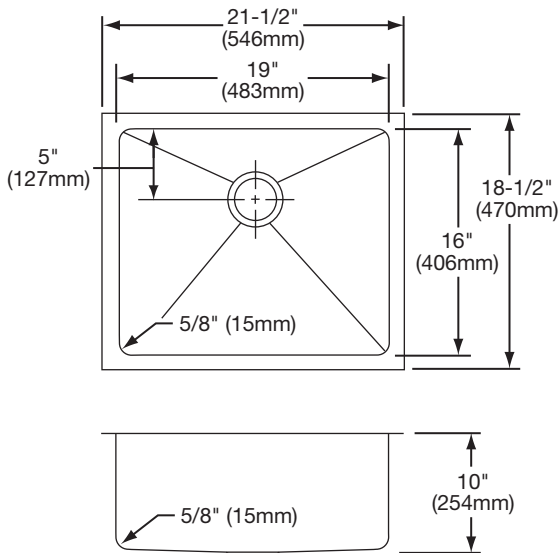
Model Number	Overall		Inside Bowl			Cutout in Countertop	Minimum Cabinet Size
	L	W	L	W	D		
EFRU191610	21 <sup>1</sup> / <sub>2</sub> (546mm)	18 <sup>1</sup> / <sub>2</sub> (470mm)	19 (483mm)	16 (406mm)	10 (254mm)	See Template**	27 (686mm)

\*Length is left to right. Width is front to back.

\*\*Template and countertop mounting clips are packed with every sink.



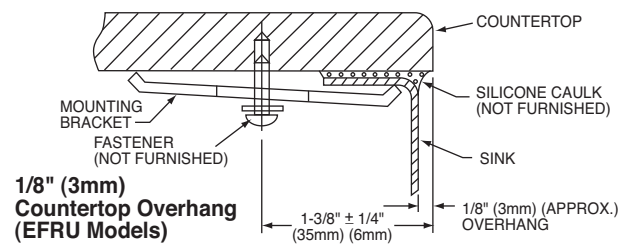
Model EFRU191610



Model EFRU191610 Illustrated

#### Installation Profile of EFRU Models

The template provided with each EFRU sink provides the only type of installation recommended by Elkay.



In keeping with our policy of continuing product improvement, Elkay reserves the right to change product specifications without notice. Please visit [elkayusa.com](http://elkayusa.com) for most current version of Elkay product specification sheets.

This specification describes an Elkay product with design, quality and functional benefits to the user. When making a comparison of other producers' offerings, be certain these features are not overlooked.