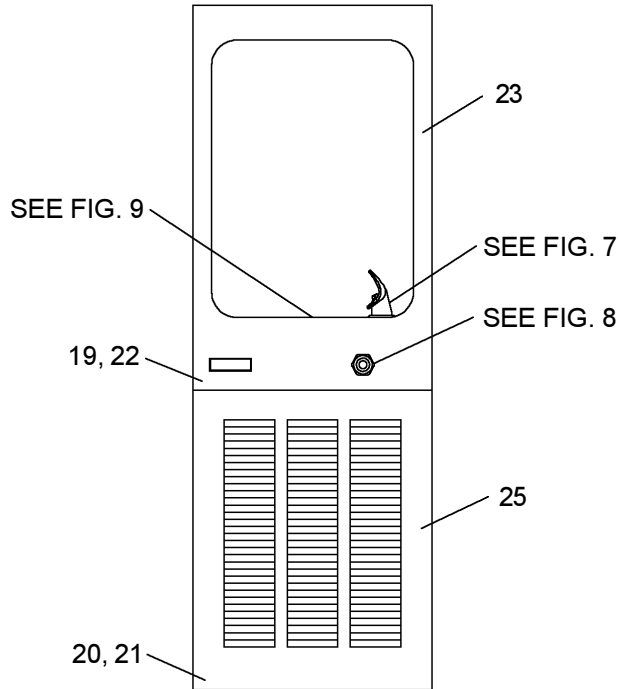
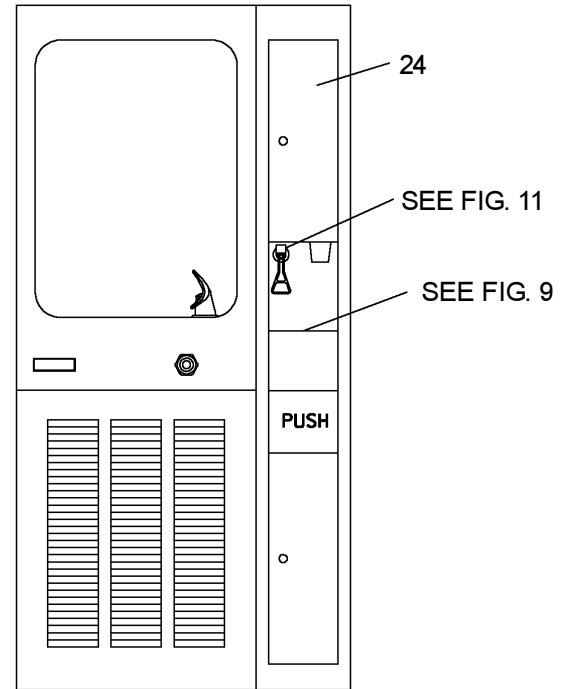


Installation/Care/Use Manual

Fully Recessed Refrigerated Fountain with FLEXI-GUARD®



EFRC8C, EFRC12C



EFRC8CDC, EFRC12CDC

Installer

To assure you install this model easily and correctly, PLEASE READ THESE SIMPLE INSTRUCTIONS BEFORE STARTING THE INSTALLATION. CHECK YOUR INSTALLATION FOR COMPLIANCE WITH PLUMBING, ELECTRICAL AND OTHER APPLICABLE CODES. After installation, leave these instructions inside the fountain for future reference.

IMPORTANT

ALL SERVICE TO BE PERFORMED BY AN AUTHORIZED SERVICE PERSON

IMPORTANT! INSTALLER PLEASE NOTE.

THE GROUNDING OF ELECTRICAL EQUIPMENT SUCH AS TELEPHONE, COMPUTERS, ETC. TO WATER LINES IS A COMMON PROCEDURE. THIS GROUNDING MAY BE IN THE BUILDING OR MAY OCCUR AWAY FROM THE BUILDING. THIS GROUNDING CAN CAUSE ELECTRICAL FEEDBACK INTO A FOUNTAIN, CREATING AN ELECTROLYSIS WHICH CAUSES A METALLIC TASTE OR AN INCREASE IN THE METAL CONTENT OF THE WATER. THIS CONDITION IS AVOIDABLE BY USING THE PROPER MATERIALS AS INDICATED. ANY DRAIN FITTINGS PROVIDED BY THE INSTALLER SHOULD BE MADE OF PLASTIC TO ELECTRICALLY ISOLATE THE FOUNTAIN FROM THE BUILDING PLUMBING SYSTEM.

EFRC8C/EFRC12C ROUGH-IN

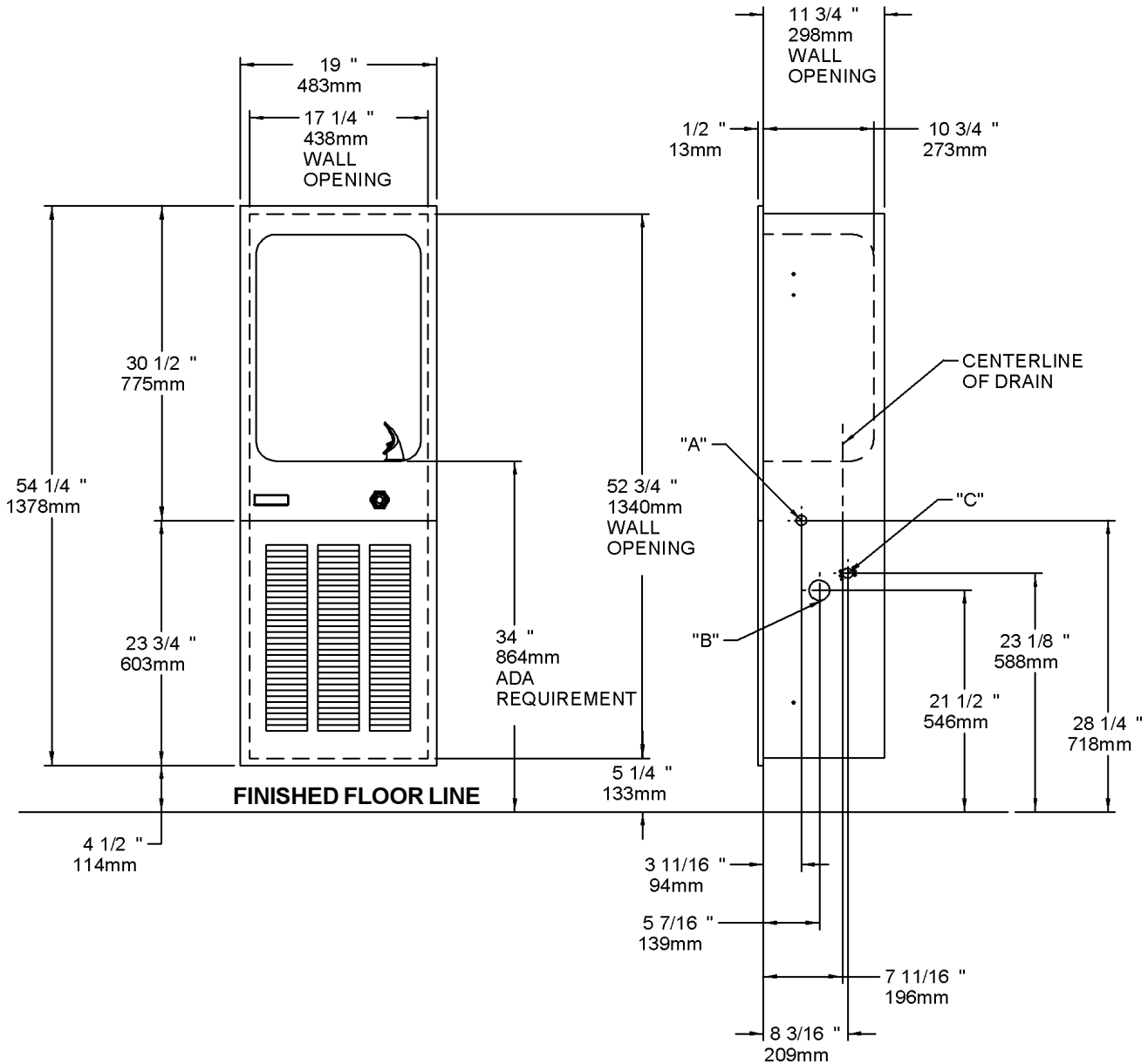


FIG. 1

LEGEND:

A = RECOMMENDED WATER SUPPLY LOCATION 3/8" O.D. UNPLATED COPPER TUBE CONNECT STUB 1-1/2" (38mm) OUT FROM WALL, SHUT OFF BY OTHERS (BOTH SIDES).

B = RECOMMENDED LOCATION FOR WASTE OUTLET 1-1/4" O.D. DRAIN (BOTH SIDES).

C = ELECTRICAL SUPPLY LOCATION (BOTH SIDES).

NOTES:

1. THERE ARE HOLES AND KNOCKOUTS PROVIDED ON EACH SIDE OF THE MOUNTING BOX THAT ARE INTENDED TO BE USED TO MOUNT THE BOX. USE SIX SCREWS OR BOLTS (NOT PROVIDED).

EFRC8CDC/EFRC12CDC ROUGH-IN

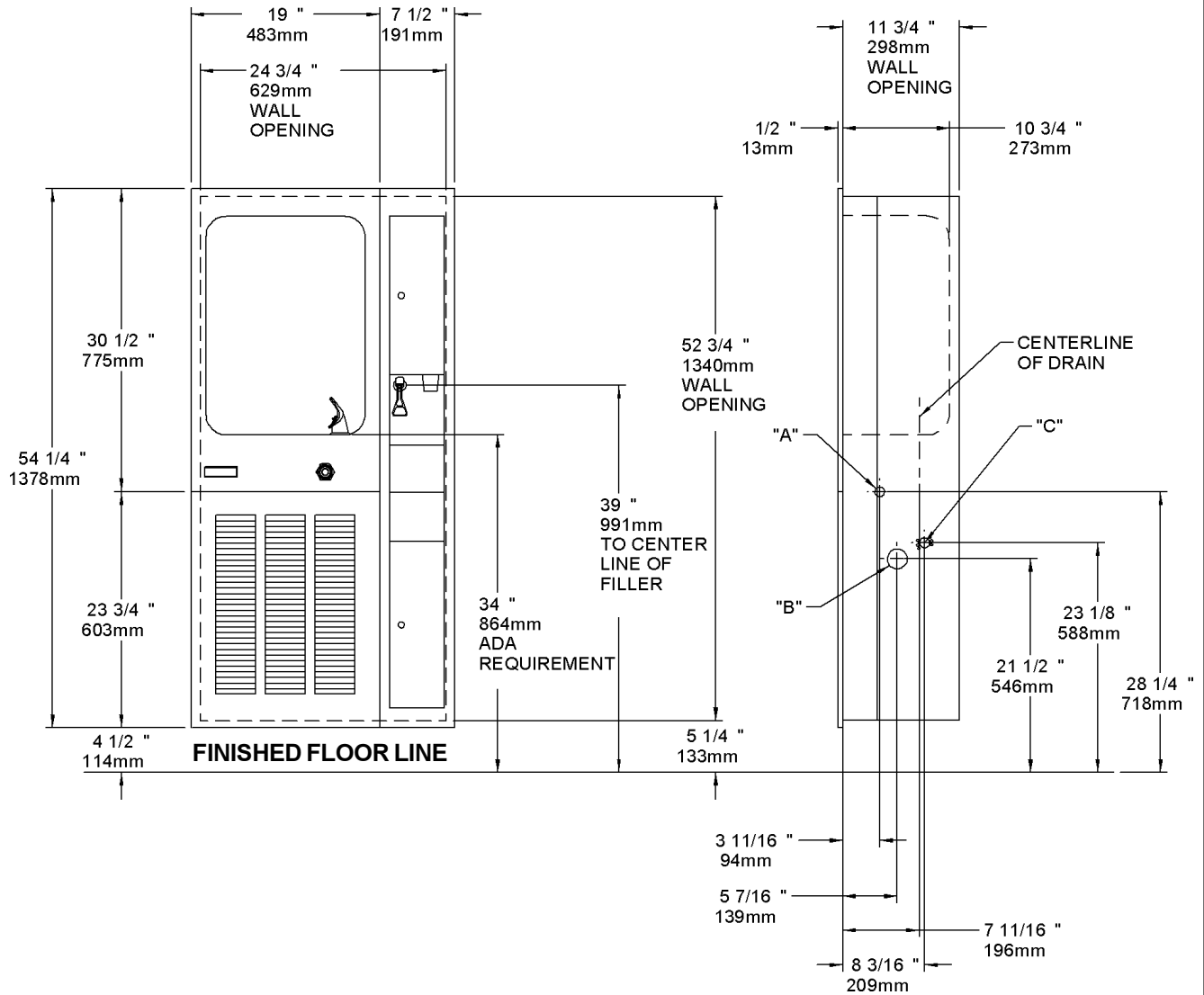


FIG. 2

LEGEND:

A = RECOMMENDED WATER SUPPLY LOCATION 3/8" O.D. UNPLATED COPPER TUBE CONNECT STUB 1-1/2" (38mm) OUT FROM WALL, SHUT OFF BY OTHERS (LEFT SIDE ONLY).

B = RECOMMENDED LOCATION FOR WASTE OUTLET 1-1/4" O.D. DRAIN (LEFT SIDE ONLY).

C = ELECTRICAL SUPPLY LOCATION (BOTH SIDES).

***WATER AND DRAIN CONNECTIONS MUST BE MADE FROM LEFT SIDE ONLY.**

NOTES:

1. THERE ARE HOLES AND KNOCKOUTS PROVIDED ON EACH SIDE OF THE MOUNTING BOX THAT ARE INTENDED TO BE USED TO MOUNT THE BOX. USE SIX SCREWS OR BOLTS (NOT PROVIDED).

INSTALLATION INSTRUCTIONS

1. **Remove** shipping brace from mounting box and discard.
2. **Fasten** mounting box into wall cutout using screws or bolts (provided by others) through the holes or knock outs provided on each side of the mounting box. (See Fig. 1 or 2)
3. **Install** fountain body to mounting box using #10 x .63" (16mm) PHSM screws and large clips provided.
4. **Place** refrigeration package into mounting box and connect water lines. (See Page 5 for details)
5. **Water** inlet is 3/8" O.D. and waste tube is 1-1/4" O.D. Contractor is to supply waste trap and service stop valve in accordance with local codes.
6. **Connecting** lines to be unplated copper and thoroughly flushed to remove all foreign matter before connecting to refrigeration package. The furnished strainer (Item 18) should be added to the supply line.
7. **Connect** the refrigeration package to the supply line service stop valve. Connect supplied fountain (internal plumbing) tubes as shown in figures 3, 4, 5, or 6. Remove any burrs from water tubes before inserting into fittings. (See Figs. 13 and 14) **DO NOT SOLDER TUBES INSERTED INTO THE STRAINER AS DAMAGE TO THE O-RINGS MAY RESULT.**
8. **Electrical:** Insure power supply is identical in voltage, hertz, and phase to that specified on the refrigeration package serial plate. Never wire compressor directly to the power supply.
9. **Turn** water supply on and check thoroughly for leaks.
10. **Release** air from tank by depressing push button; a steady stream of water assures all air is removed.
11. **Re-check** for leaks.
12. **Stream** height is factory set at 35 PSI. If supply pressure varies greatly from this, turn adjustment screw on regulator (Item 14). Clockwise adjustment will raise the stream height and counter-clockwise adjustment will lower stream height. For best adjustment, stream should hit basin approximately 6-1/2" from the bubbler.
13. **Rotate** fan blade on refrigeration package to insure proper clearance and free fan action.
14. **Connect** power supply.
15. **Install** grill using #8 x 1.00" (25mm) PH screws and small clips provided.

TROUBLE SHOOTING AND MAINTENANCE

1. **Orifice Assy:** Mineral deposits on orifice can cause water flow to spurt or not regulate. Mineral deposits may be removed from orifice with a small round file not over 1/8 diameter or a small diameter wire.
CAUTION: Do not file or cut orifice materials.
2. **Actuation of Quick Connect Water Fittings:** Cooler is provided with lead-free connectors which utilize an o-ring water seal. To remove tubing from the fitting, relieve water pressure, push in on the gray collar while pulling on the tubing (See Fig. 13). To insert tubing, push tube straight into the fitting until it reaches a positive stop, approximately 3/4".

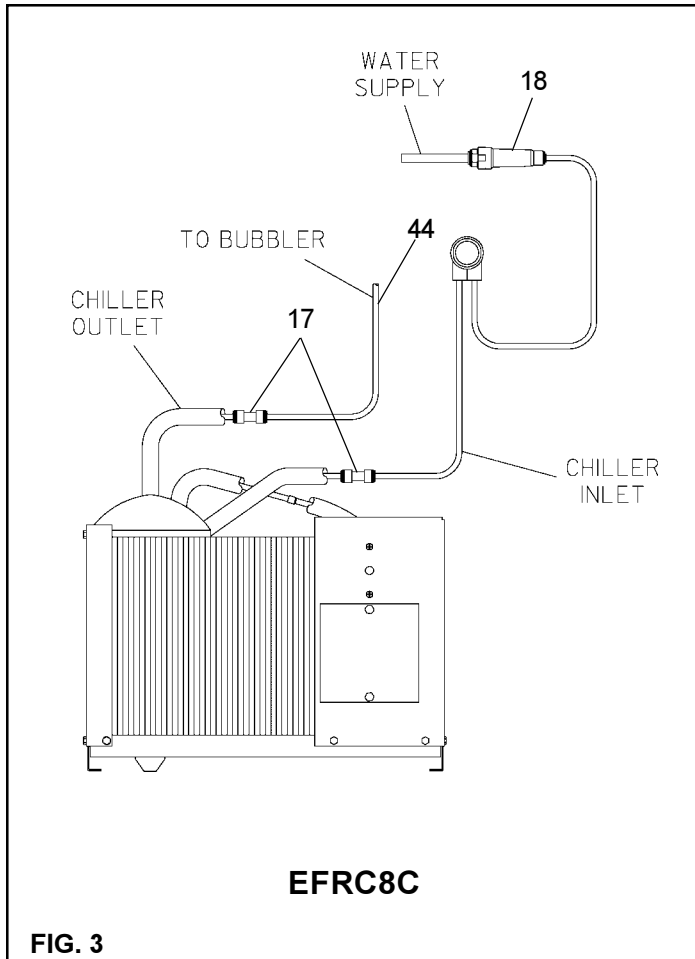


FIG. 3

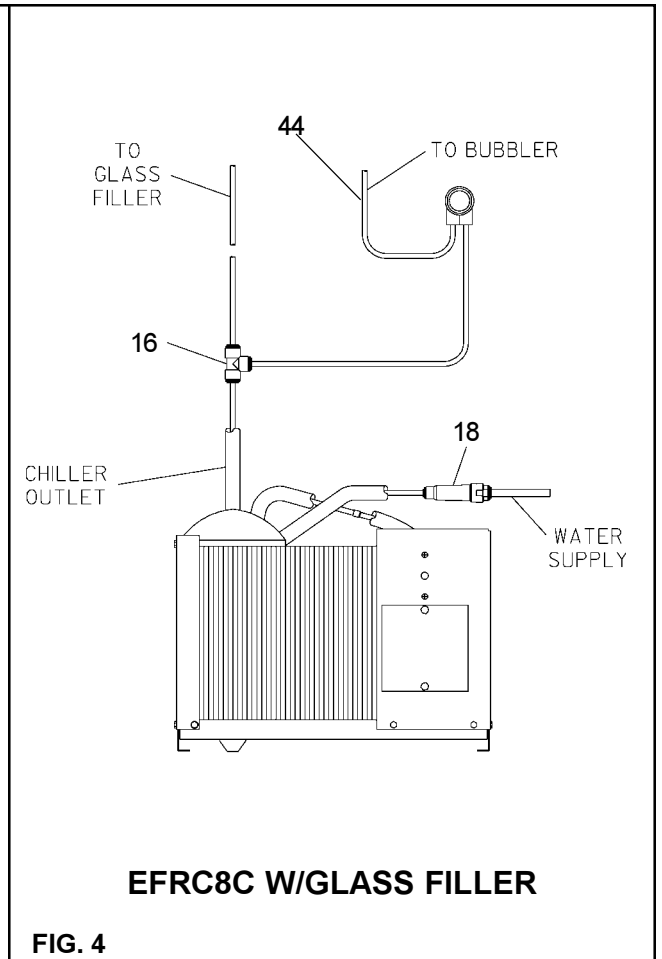


FIG. 4

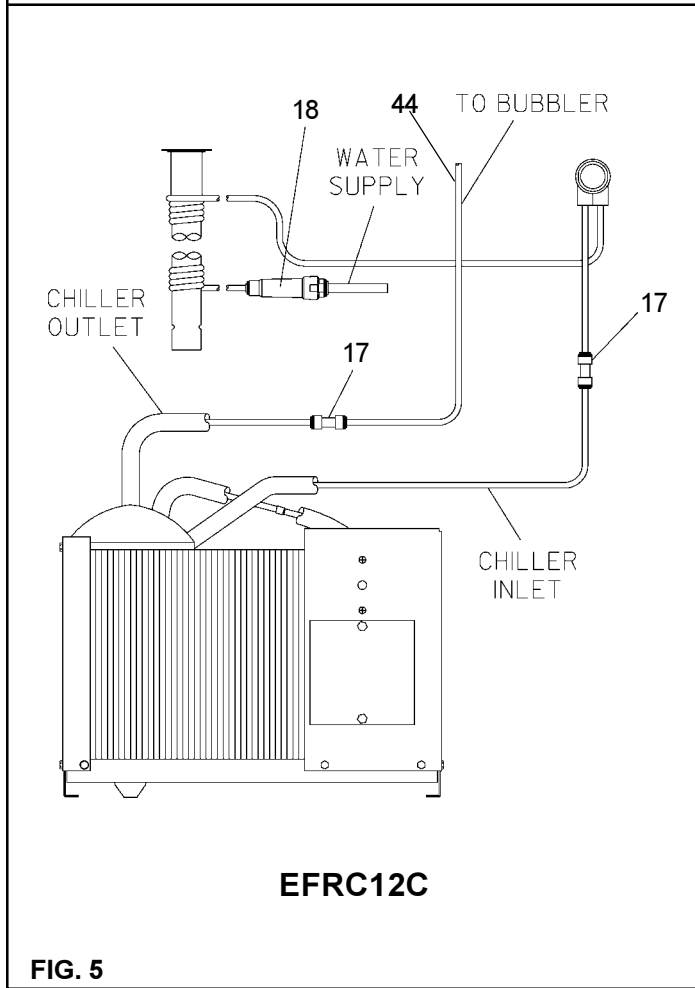


FIG. 5

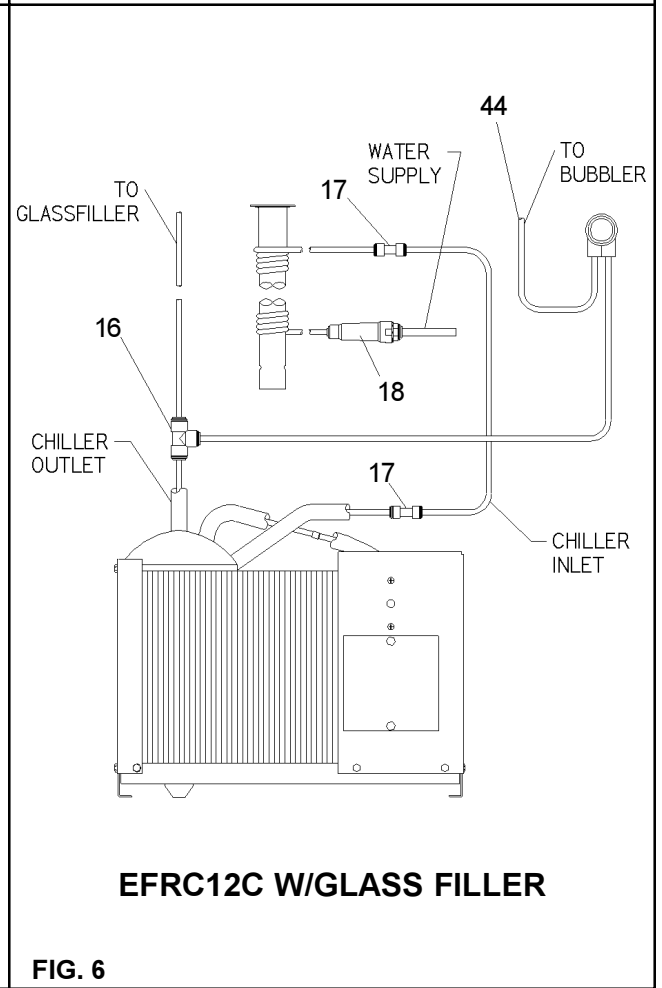
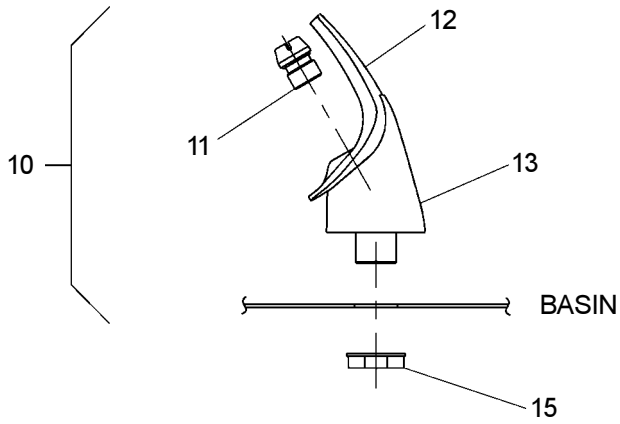


FIG. 6



NOTE: WHEN INSTALLING REPLACEMENT BUBBLER AND PEDESTAL, TIGHTEN NUT (ITEM 15) ONLY TO HOLD PARTS SNUG IN POSITION. **DO NOT OVER TIGHTEN.**

FIG. 7

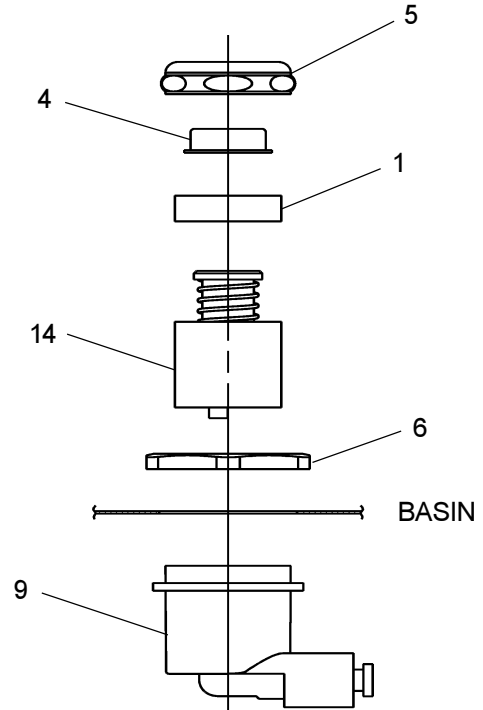


FIG. 8

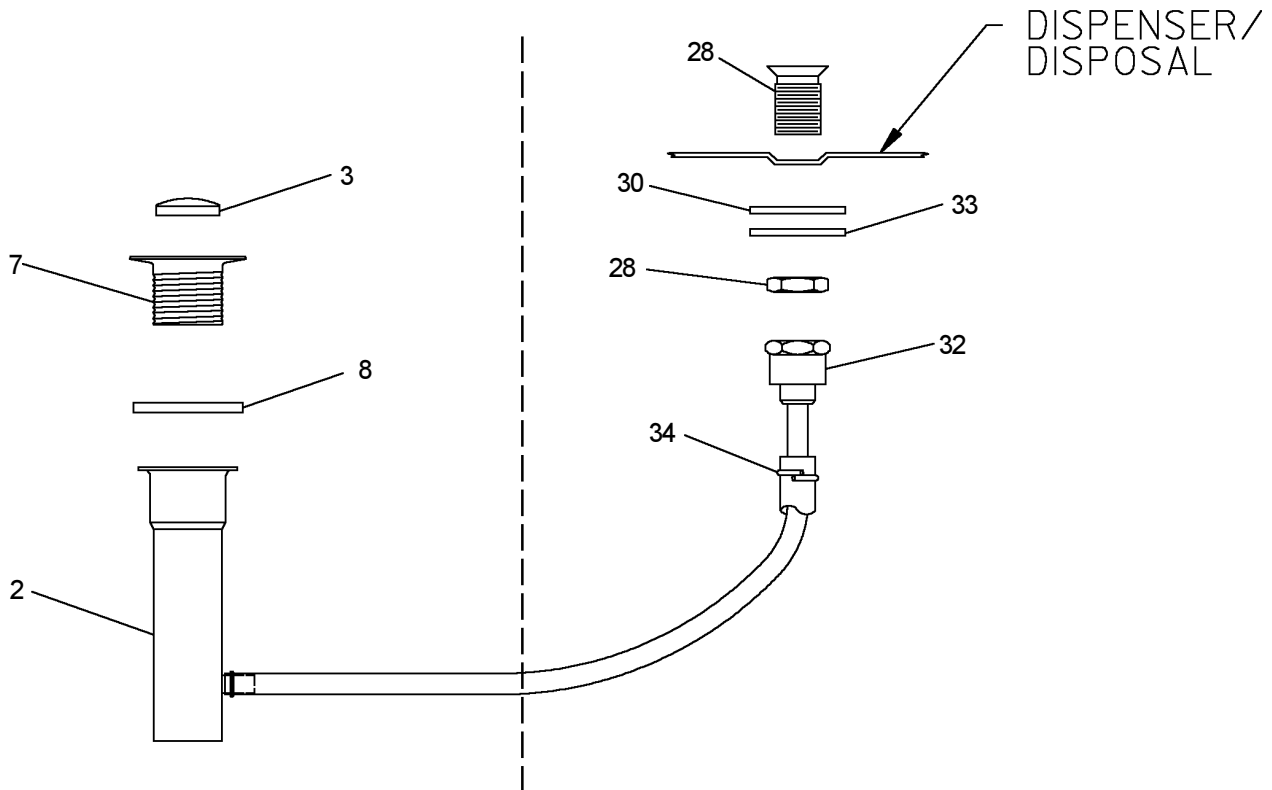


FIG. 9

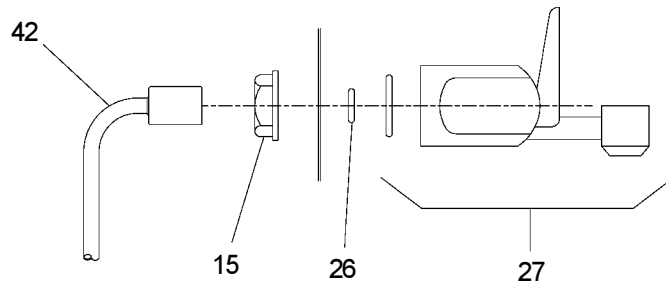


FIG. 10

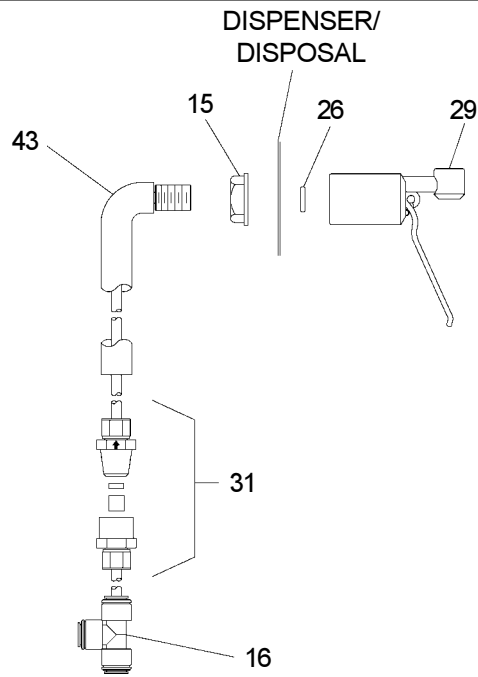


FIG. 11

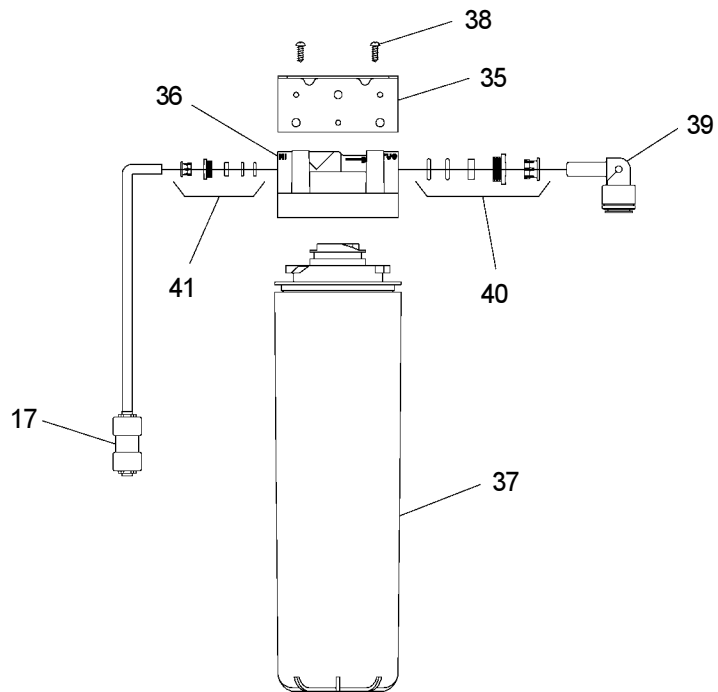
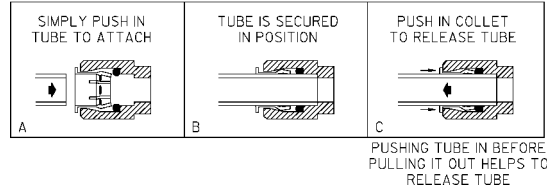


FIG. 12

PARTS LIST

ITEMNO.	PARTNO.	DESCRIPTION
1	15005C	Retaining Nut
2	20397C	Tailpipe - EFRC8, EFRC8F
	40301C	Tailpipe - EFRC8CD
	40480C	Precooler - EFRC12, EFRC12F
	40561C	Precooler - EFRC12CD
3	40038C	Strainer
4	40048C	Button
5	40089C	Nut - Cover
6	40169C	Hex Nut
7	40619C	Ferrule
8	50074C	Gasket
9	50986C	Regulator Holder
10	56073C	Bubbler Assy
11	40322C	Orifice Assy
12	56011C	Housing Assy
13	55997C	Pedestal
14	61313C	Regulator
15	75580C	Locknut - 3/8-18
16	70682C	Tee - 1/4
17	70683C	Union - 1/4
18	55996C	Strainer
19	110669443890	Screw - #10 x .63 PHSM
20	74070030	Screw - #8 x 1.00 PH
21	74070032	Speed Nut - #8
22	70567C	Clip - Speed
23	55001084	Fountain
	EFRCDF	Fountain - GF
24	55000881	Dispenser/Disposal
25	EG23	Grill
26	31525028	O-ring
27	40493C	Glass Filler
28	40299C	Drain - 1/2"
29	40562C	Glass Filler
30	50258C	Washer
31	50967C	Flow Regulator Assy
32	61099C	Connector Assy
33	70151C	Washer
34	70234C	Hose Clamp
35	22940C	Bracket - Filter Mounting
36	51294C	Filter Head Assy
37	51299C	Filter Assy
38	70792C	Screw - #8-18 x .75" PH
39	70818C	Elbow - 3/8" (10mm)
40	70822C	Fitting - Superseal 1/4" ((8mm)
41	70823C	Fitting - Superseal 3/8" (10mm)
42	62084C	Tube Assy - GF
43	62088C	Tube Assy - GF
44	56092C	Poly Tubing 48"(Cut to Length)

OPERATION OF QUICK CONNECT FITTINGS



NOTE: REMOVE ANY BURRS FROM WATER TUBES BEFORE INSERTING INTO FITTINGS.

FIG. 13

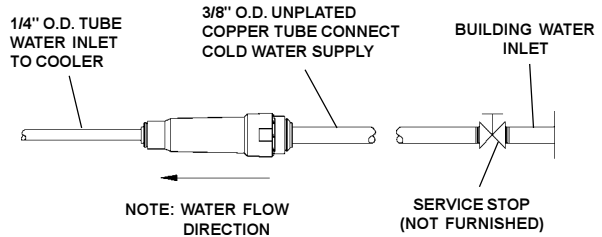


FIG. 14