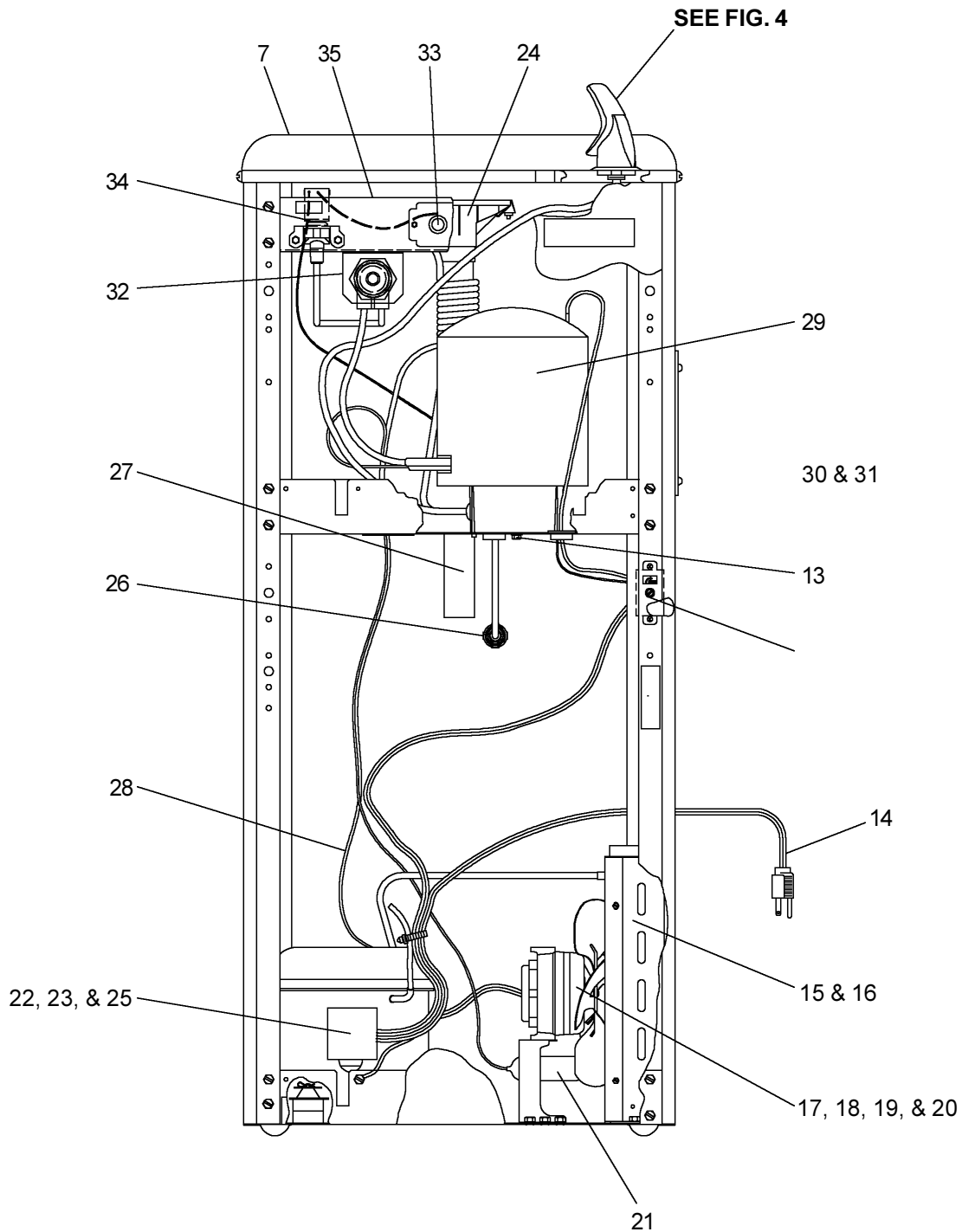


With FLEXI-GUARD®

Installation/Care/Use Manual

USES HFC-134A REFRIGERANT



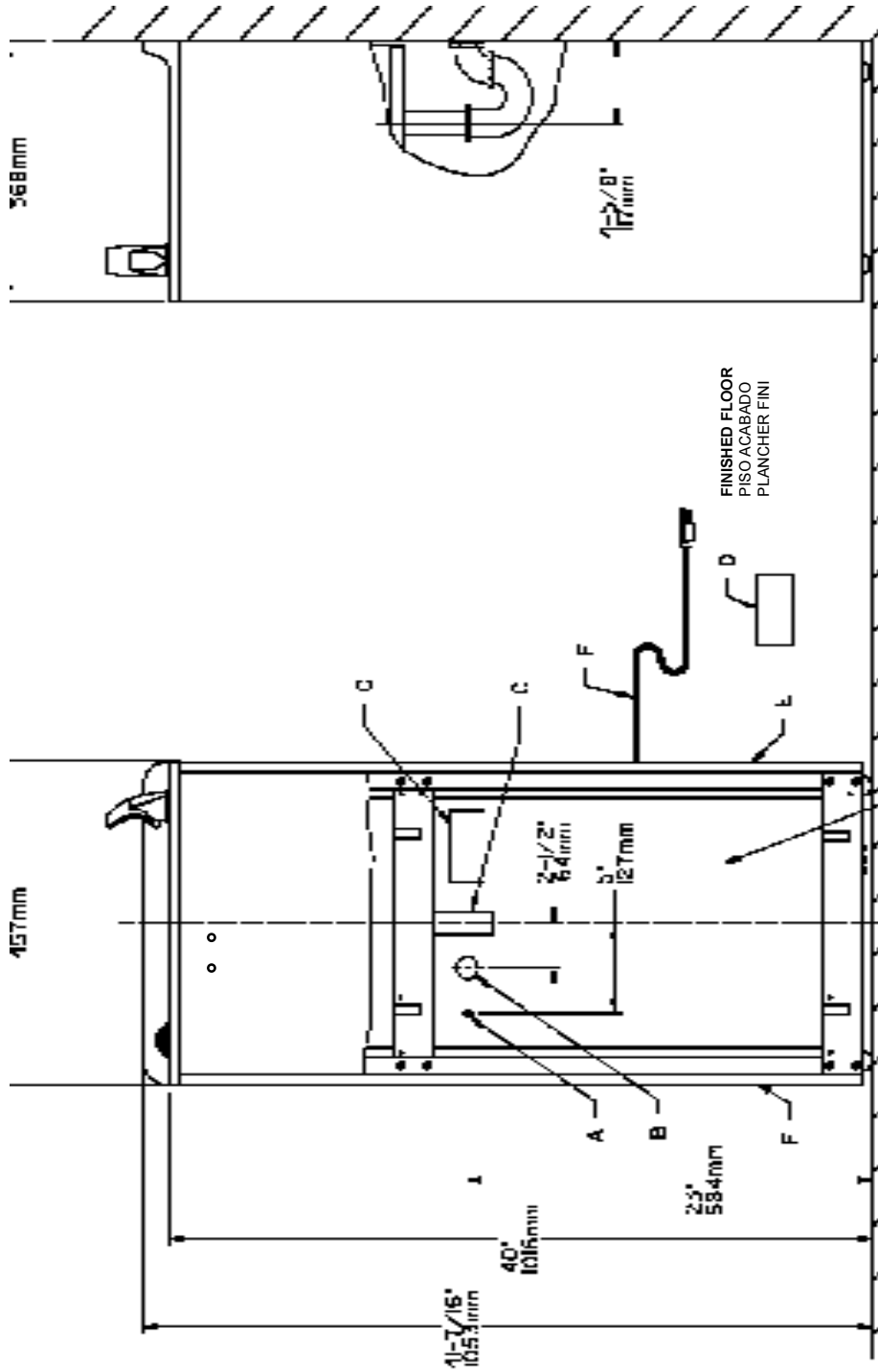


FIG. 2

- LEGEND/LEYENDA/LÉGENDE**
- A = RECOMMENDED WATER SUPPLY LOCATION 3/8 O.D. UNPLATED COPPER TUBE CONNECT STUB 1-1/2 IN. (38mm) OUT FROM WALL SHUT OFF BY OTHERS**
SE RECOMIENDA UBICAR EL TUBO CORTO DE CONEXIÓN AL TUBO DE COBRE SIN CHAPAR DE 3/8" DE DIÁM. EXT. A 1-1/2" (38mm) FUERA DE LA LLAVE DE PASO EN LA PARED COLOCADA POR TERCEROS.
EMPLACEMENT RECOMMANDÉ D'ALIMENTATION EN EAU PAR TUBE EN CUIVRE NON PLAQUÉ DE 3/8 PO. (9.5 mm) D. E. CONNECTANT UNE TUYAUTERIE DE 1-1/2 PO. (38mm) DEPUIS LE ROBINET D'ARRÊT FOURNI PAR D'AUTRES.
 - B = RECOMMENDED LOCATION FOR WASTE OUTLET 1-1/4" O.D. DRAIN**
UBICACIÓN RECOMENDADA PARA EL DRENAJE DE SALIDA DE AGUA, DE 1 1/4" DE DIÁMETRO.
EMPLACEMENT RECOMMANDÉ POUR LE DRAIN DE D.E. 1-1/4" DE SORTIE D'EAU.
C = 1-1/4" TRAP NOT FURNISHED**
PURGADOR DE 1 1/4" NO PROPORCIONADO**
SIPHON 1-1/4" NON FOURNI**
 - D = ELECTRICAL OUTLET LOCATION**
UBICACIÓN DE LA TOMA DE ELECTRICIDAD
EMPLACEMENT DE LA PRISE DE COURANT
 - E = INSURE PROPER VENTILATION BY MAINTAINING 4" (102mm) (MIN.) CLEARANCE FROM CABINET LOUVERS TO WALL.**
ASEGURE UNA VENTILACIÓN ADECUADA MANTENIENDO UN ESPACIO E 4" (102mm) (MÍN.) DE HOLGURA ENTRE LA REJILLA DE VENTILACIÓN DEL MUEBLE Y LA PARED
ASSUREZ-VOUS UNE BONNE VENTILATION EN GARDANT 4" (102mm) (MIN.) ENTRE LES ÉVÉNENTS DE L'ENCEINTE ET LE MUR.
 - F = POWER CORD 4 FEET (1219mm) LONG**
CABLE ELÉCTRICO DE 4 PIE (1219mm), DE LARGO
CORDON D'ALIMENTATION 4' (1219mm)
 - G = ALT. ELECTRICAL OUTLET LOCATION**
UBICACIÓN ALT. DE LA TOMA DE ELECTRICIDAD
EMPLACEMENT ALTERNATIF DE LA PRISE DE COURANT
 - H = PLUMBING ROUGH-IN CAN BE LOCATED ANYWHERE WITHIN THIS AREA.**
SE PUEDE COLOCAR EL DESBASTE DE LA TUBERÍA EN CUALQUIER LUGAR DENTRO DE ESTA ÁREA.
ON PEUT PLACER LA TUYAUTERIE DANS CETTE REGION.

SENSOR RANGE ADJUSTMENT: The electronic sensor used in this cooler is factory pre-set for a "visual" range of 36 inches (914 mm). If actual range varies greatly from this or a different setting is desired, follow the range adjustment procedure below:

- A. Remove front panel of cooler.
- B. Using a small tip screwdriver, rotate range adjustment screw clockwise to increase range and counterclockwise to decrease range (See Fig. 3).

CAUTION: Complete range of sensor (24-28 inches/610-711mm) is only one turn of the adjusting screw.

- C. Replace front panel.

SENSOR CONTROL: If sensor fails to operate valve mechanism or operates erratically, check the following.

- A. Ensure there are no obstructions within a 40 inch (1016mm) radius in front of cooler.
- B. Check wire connections at the solenoid valve and sensor. **CAUTION:** Make sure unit is unplugged before checking any wiring.
- C. Ensure proper operation of solenoid valve. If there is an audible clicking sound yet no water flows, look for an obstruction in the valve itself or elsewhere in the water supply line.

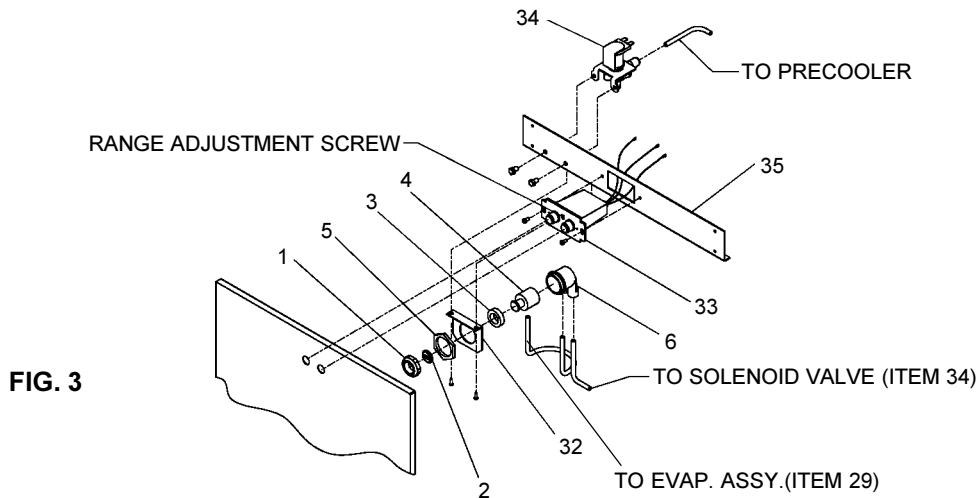
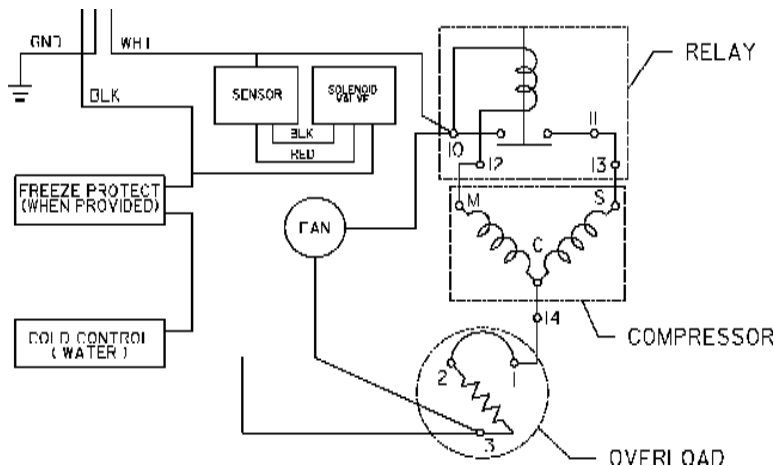


FIG. 3

WIRING DIAGRAM

This Drawing is merely for illustrating the components of the electrical system.



NOTE:
 WHEN INSTALLING REPLACEMENT BUBBLER AND PEDESTAL, TIGHTEN NUT (ITEM 12) ONLY TO HOLD PARTS SNUG IN POSITION. DO NOT OVER TIGHTEN.

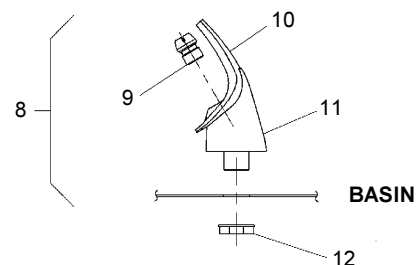


FIG. 4

PARTS LIST 115V

ITEM NO.	PART NO.	DESCRIPTION
1	40116C	Cover
2	70254C	Clip
3	15005C	Regulator Retaining Nut
4	61313C	Regulator
5	40045C	Hex Nut
6	50986C	Regulator Holder
7	27316C	Basin
8	51349C	Bubbler Assembly
9	40322C	Orifice Assembly
10	50934C	Housing Assembly
11	50168C	Pedestal
12	70012C	Bubbler Locknut
13	31513C	Cold Control
14	35890C	Power Cord
15	66431C	Condenser
16	21516C	Fan Shroud
17	31490C	Fan Motor
18	30664C	Fan Blade
19	20239C	Fan Bracket
20	70018C	Fan Blade Nut
21	66201C	Drier
22*	35787C	Compressor Serv. Pak
23	31034C	Overload/Relay Assembly
24	50368C	Receptor-Drain
25	194243901550	Electrical Shield
26	55996C	Strainer
27	45678C	Precooler
28	66255C	Heat Exchanger
29	66421C	Evaporator
30	70767C	Evaporator Retaining Clip
31	70772C	Evaporator Drain Plug
32	27278C	Regulator Bracket
33	31516C	Sensor (clear)
34	35891C	Solenoid Valve Assembly
35	27279C	Cross Brace

*INCLUDES RELAY & OVERLOAD. IF UNDER WARRANTY, REPLACE WITH SAME COMPRESSOR USED IN ORIGINAL ASSEMBLY.

NOTE: All correspondence pertaining to any of the above water coolers or orders for repair parts MUST include Model No. and Serial No. of cooler, name and part number of replacement part.

COLOR TABLE	LEFT PANEL	RIGHT PANEL	FRONT PANEL
Gray Beige	20622C	20623C	27272C
Almond	21460C	21461C	27273C
Stainless Steel	20624C	20625C	27270C
Sandalwood	21458C	21459C	27274C
Granite	27165C	27168C	27271C