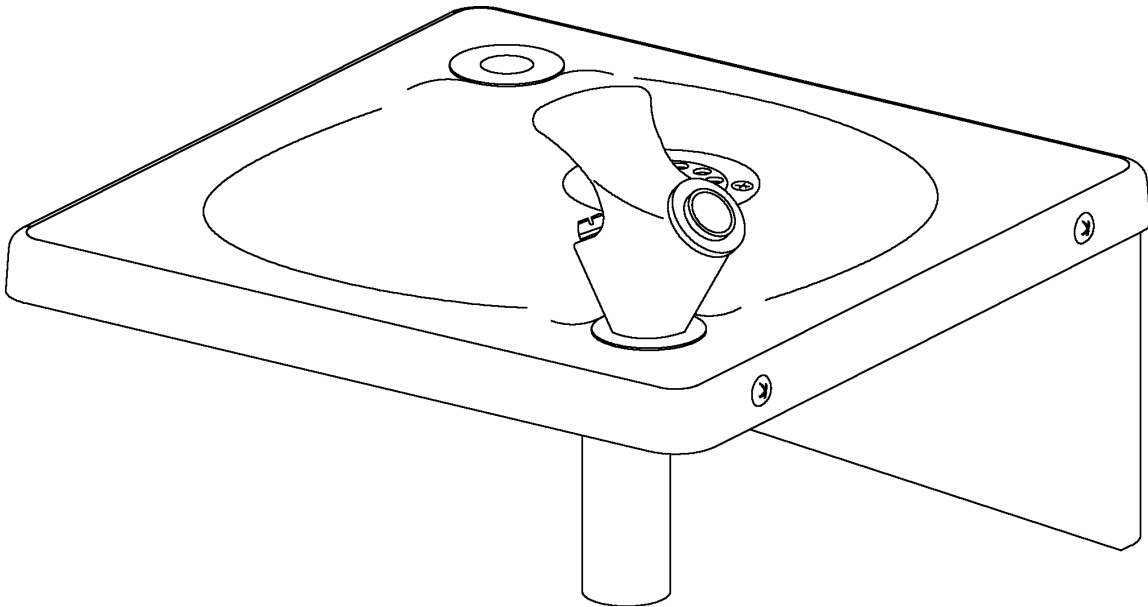


INSTALLATION/CARE/USE MANUAL



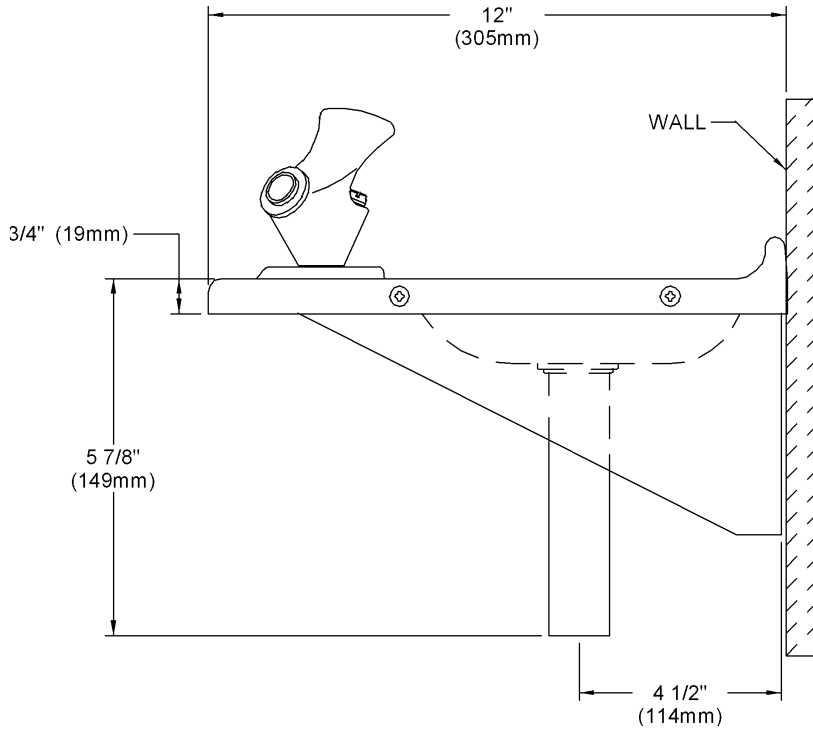
Installer

To assure you install this model easily and correctly, PLEASE READ THESE SIMPLE INSTRUCTIONS BEFORE STARTING THE INSTALLATION. CHECK YOUR INSTALLATION FOR COMPLIANCE WITH PLUMBING, ELECTRICAL AND OTHER APPLICABLE CODES. After installation, leave these instructions inside the fountain for future reference.

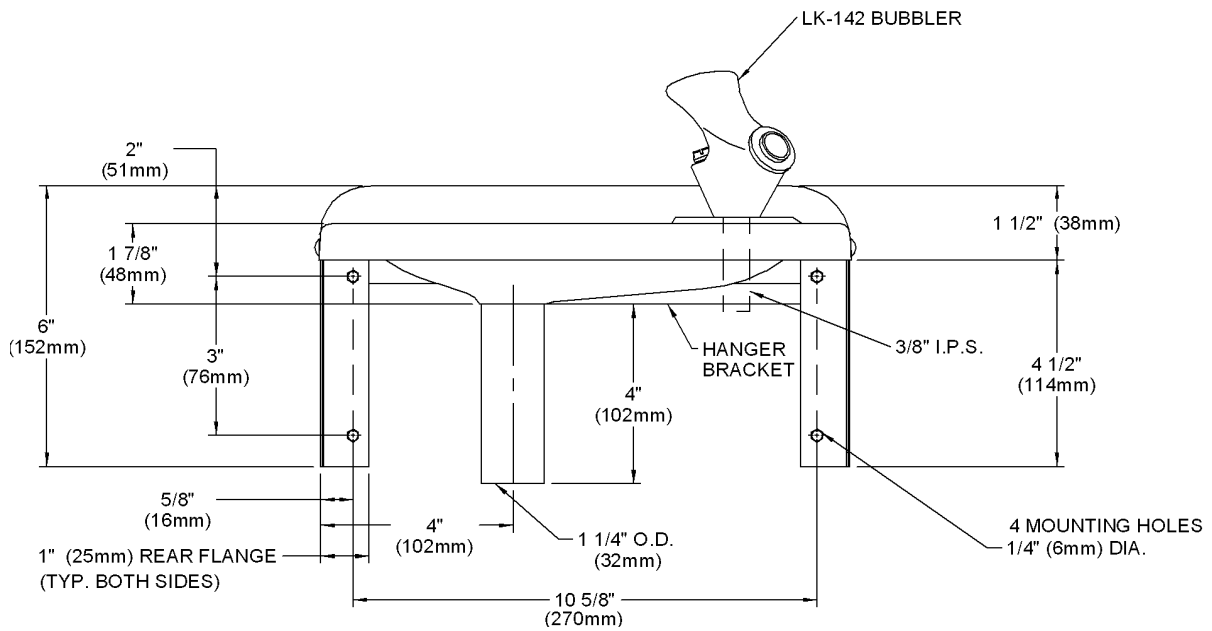
IMPORTANT! INSTALLER PLEASE NOTE.

ALL SERVICE TO BE PERFORMED BY AN AUTHORIZED SERVICE PERSON

THE GROUNDING OF ELECTRICAL EQUIPMENT SUCH AS TELEPHONE, COMPUTERS, ETC. TO WATER LINES IS A COMMON PROCEDURE. THIS GROUNDING MAY BE IN THE BUILDING OR MAY OCCUR AWAY FROM THE BUILDING. THIS GROUNDING CAN CAUSE ELECTRICAL FEEDBACK INTO A FOUNTAIN, CREATING AN ELECTROLYSIS WHICH CAUSES A METALLIC TASTE OR AN INCREASE IN THE METAL CONTENT OF THE WATER. THIS CONDITION IS AVOIDABLE BY USING THE PROPER MATERIALS AS INDICATED. ANY DRAIN FITTINGS PROVIDED BY THE INSTALLER SHOULD BE MADE OF PLASTIC TO ELECTRICALLY ISOLATE THE FOUNTAIN FROM THE BUILDING PLUMBING SYSTEM.



SIDE VIEW



FRONT VIEW

ASSEMBLY

1. Assemble support brackets to the fountain by aligning holes in bracket with holes in cooler and fastening with (4) #10 screws provided.
2. Attach bubbler to fountain by inserting bubbler nipple through the hole in the cooler top and securing with the washer and nut provided.

INSTALLATION

1. This fountain is to be mounted on a smooth, flat, finished wall surface, with adequate support structure.
2. Establish rim height fountain is to be mounted.
3. Refer to rough-in for plumbing.
4. Locate and install trap. (Trap not included).
5. Install shut-off valve on building water supply. (Shut off valve not furnished).
6. Locate and install hanger bracket using 1/4" (10mm) lag screws or bolts. (Not included).
7. Install and center fountain on hanger bracket by slipping the back edge of the cooler top over the flange on the hanger bracket. Secure fountain using 1/4" (10mm) minimum lag screws or bolts (Not included).

CAUTION: This fountain is rated for inlet water pressure of 20-105 psi. Should the inlet water supply exceed 105 psi, a pressure reducing regulator should be used.

8. Connect fountain to building supply line by running a 3/8" (10mm) water line between the shut-off valve and fountain.
9. Turn "ON" water supply and check all connections for leaks.
10. Adjust bubbler stream height. (See instructions below).

TROUBLE SHOOTING AND MAINTENANCE

Orifice Assy: Mineral deposits on orifice can cause water flow to spurt or not regulate. Mineral deposits may be removed from the orifice with a small round file not over 1/8" diameter or small diameter wire.

CAUTION: DO NOT file or cut orifice material.

Stream Regulator: If orifice is clean, regulate flow as stated below. If replacement is necessary, see parts list for correct regulator part number.

STREAM HEIGHT ADJUSTMENT: Stream height is factory set at 45-50 PSI. If supply pressure varies greatly from this, remove items 11, and 12 (See figure 2) from bubbler assembly and adjust the screw on the regulator (Item 15). Clockwise adjustment will raise stream height and counterclockwise will lower the stream height. A stream height of 1-1/2" (38mm) is recommended.

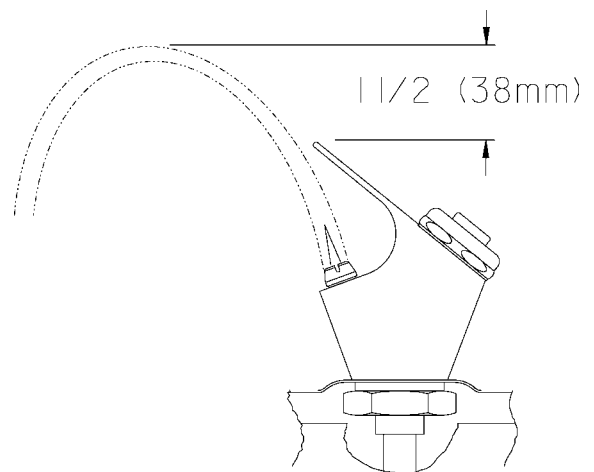


FIG. 1

ITEMIZED PARTS LIST

ITEMNO.	PARTNO.	DESCRIPTION
1	28057C	Basin Assy.
2	58000155	Bracket - Support LH
3	58000154	Bracket - Support RH
4	27238C	Bracket - Wall Hanger
5	40294C	Tailpipe - 1-1/4 O.D. x 4.00 IN.
6	70208C	Mach. Screw 10-24x3/8
7	74070020	10-24 Hex Nuts (N/S)
8	LK142	Bubbler Assembly
9	10031C	Retaining Nut 1 1/8-24
10	100322740560	Gasket
11	40048C	Button
12	40089C	Cover Nut 1 1/8-24
13	40322C	Orifice Assembly
14	45675C	Bubbler Body
15	61313C	Regulator
16	70012C	Lock Nut 3/8-18
17	72460042	Metal Washer
18	A54800	Nipple
19	A54888	Screen

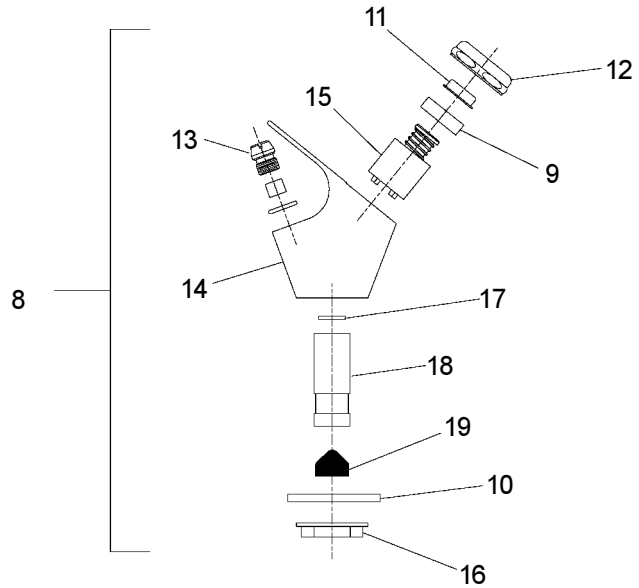


FIG. 2

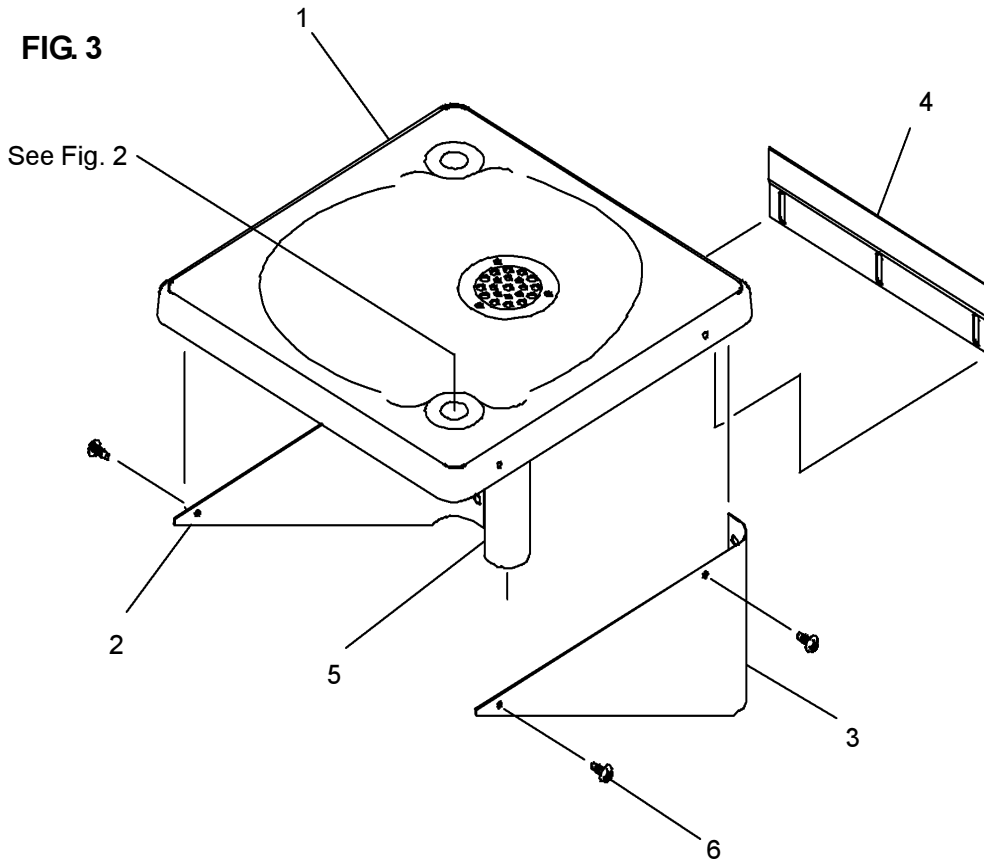


FIG. 3

ELKAY MANUFACTURING COMPANY • 2222 CAMDEN COURT • OAK BROOK, IL 60523 • 630.574.8484

FOR PARTS, CONTACT YOUR LOCAL DISTRIBUTOR OR CALL 1.800.323.0620