

ELKAY[®]

SPECIFICATIONS

Avado™ Undermount Sink Model ECU3120RACH

GENERAL

Highest quality sink hand fabricated from #16 (1.6mm) gauge genuine, uncoated copper that will continue to age and tarnish naturally.

DESIGN FEATURES

Bowl Depth: 10" (254mm) (large bowl), 8" (203mm) (small bowl).

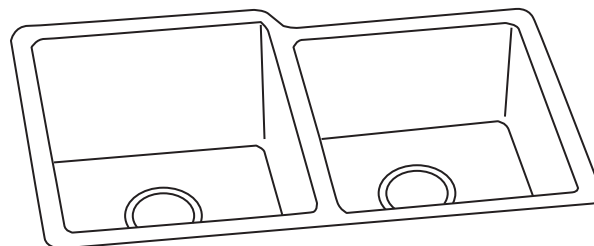
Finish: Antique Hammered Copper.

Underside: Sound absorbing pads applied to dampen sound.

OTHER

Drain Opening: 3-1/2" (89mm).

Installation: Requires professional installation. Use actual sink as template to determine cut-out opening. All Elkay undermount sinks are designed to affix to the underside of any solid surface countertop.

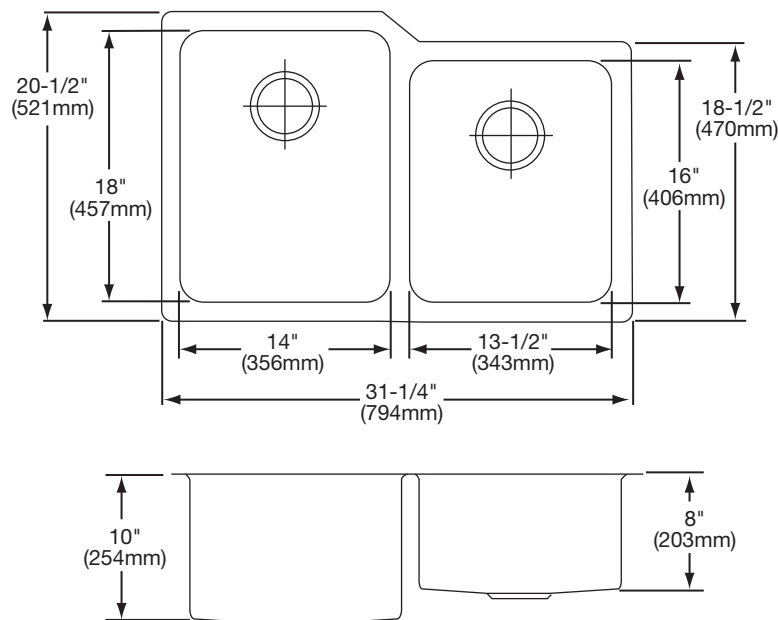


Model ECU3120RACH

SINK DIMENSIONS*

Model Number	Overall		Inside Left Bowl			Inside Right Bowl			Cutout in Countertop	Minimum Cabinet Size
	L	W	L	W	D	L	W	D		
ECU3120RACH	31 ¹ / ₄ (794mm)	20 ¹ / ₂ (521mm)	14 (356mm)	18 (457mm)	10 (254mm)	13 ¹ / ₂ (343mm)	16 (406mm)	8 (203)	Use sink as template	36 (914mm)

*Length is left to right. Width is front to back. Due to the handcrafted nature of this sink, the dimensions are approximate and may vary.



In keeping with our policy of continuing product improvement, Elkay reserves the right to change product specifications without notice. Please visit elkayusa.com for most current version of Elkay product specification sheets.

This specification describes an Elkay product with design, quality and functional benefits to the user. When making a comparison of other producers' offerings, be certain these features are not overlooked.

Elkay

elkayusa.com

2222 Camden Court
Oak Brook, IL 60523

Printed in U.S.A.
©2008 Elkay

(Rev. 7/08)

1-262A