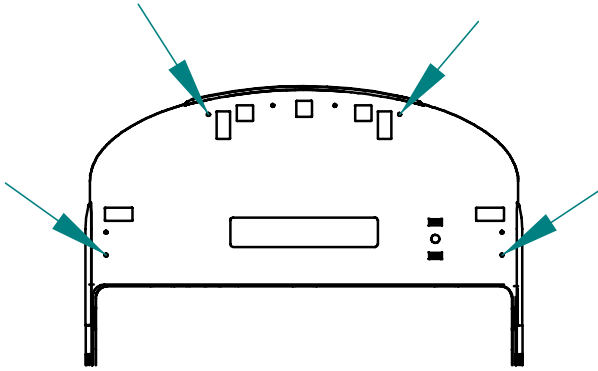
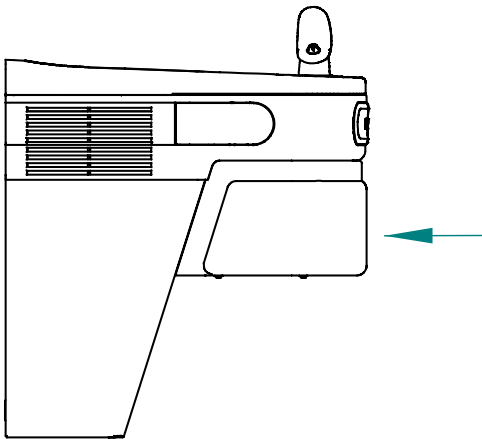


# CANE APRON INSTALLATION



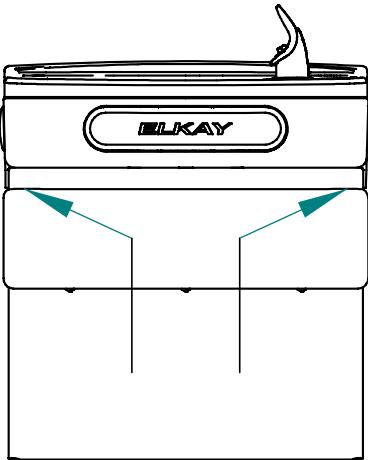
## STEP 1

FASTEN 4 SCREWS INTO HOLES AS SHOWN. USE COVER PLATE TO GAUGE DEPTH.



## STEP 2

ALIGN SLOTS ON APRON TO SCREW HEADS. PUSH APRON ONTO SCREW HEADS. IF APRON DOES NOT SNAP INTO PLACE REMOVE BOTTOM COVER, SEE STEP 3.



## STEP 3

PUSHING BACK CORNERS OF APRON OUT TO CLEAR SNAPS IN REAR WILL EASE INSTALLATION.

## STEP 4

ATTACH BOTTOM COVER TO APRON WITH 6 SCREWS AND CLIPS PROVIDED.

TO REMOVE:  
REMOVE BOTTOM COVER, PUSH OUT IN BACK  
CORNERS AND PULL FORWARD

FOR PARTS, CONTACT YOUR LOCAL DISTRIBUTOR OR CALL 1.800.323.0620