

Installation Instructions

Cane Touch Apron

TOOLS REQUIRED:

- Phillips Head Screwdriver
- Torx Head Driver
- Power Drill with 1/8" Drill Bit
- Hammer and Center Punch

INSTALLATION PROCEDURE:

- 1) Using template provided mark hole locations on front of left and right side panels.

TOP - Align with corner between side panel and dispenser panel. (See Fig. 1, Item A)

OUTSIDE EDGE - Align with outside edge of side panels. (See Fig. 1, Item B)

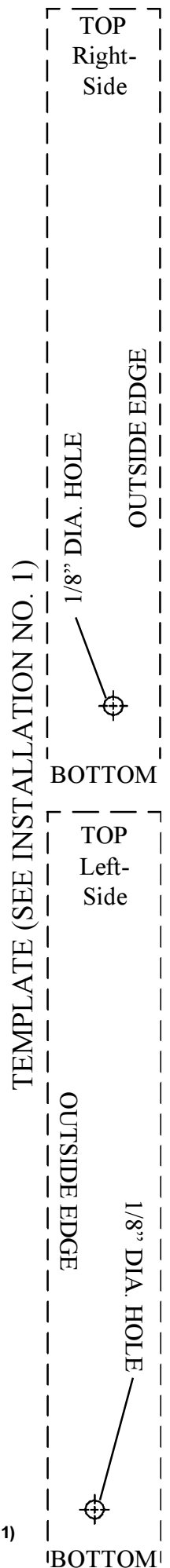
- 2) Drill 1/8" diameter holes at marked locations. (Center punch hole locations before drilling) When drilling the right hand hole, on refrigeration units, be certain to drill straight.

CAUTION: Keep the drill bit away from the refrigeration condenser. If the drill damages or punctures the condenser refrigeration tubing severe and expensive damage to the refrigeration system will result.

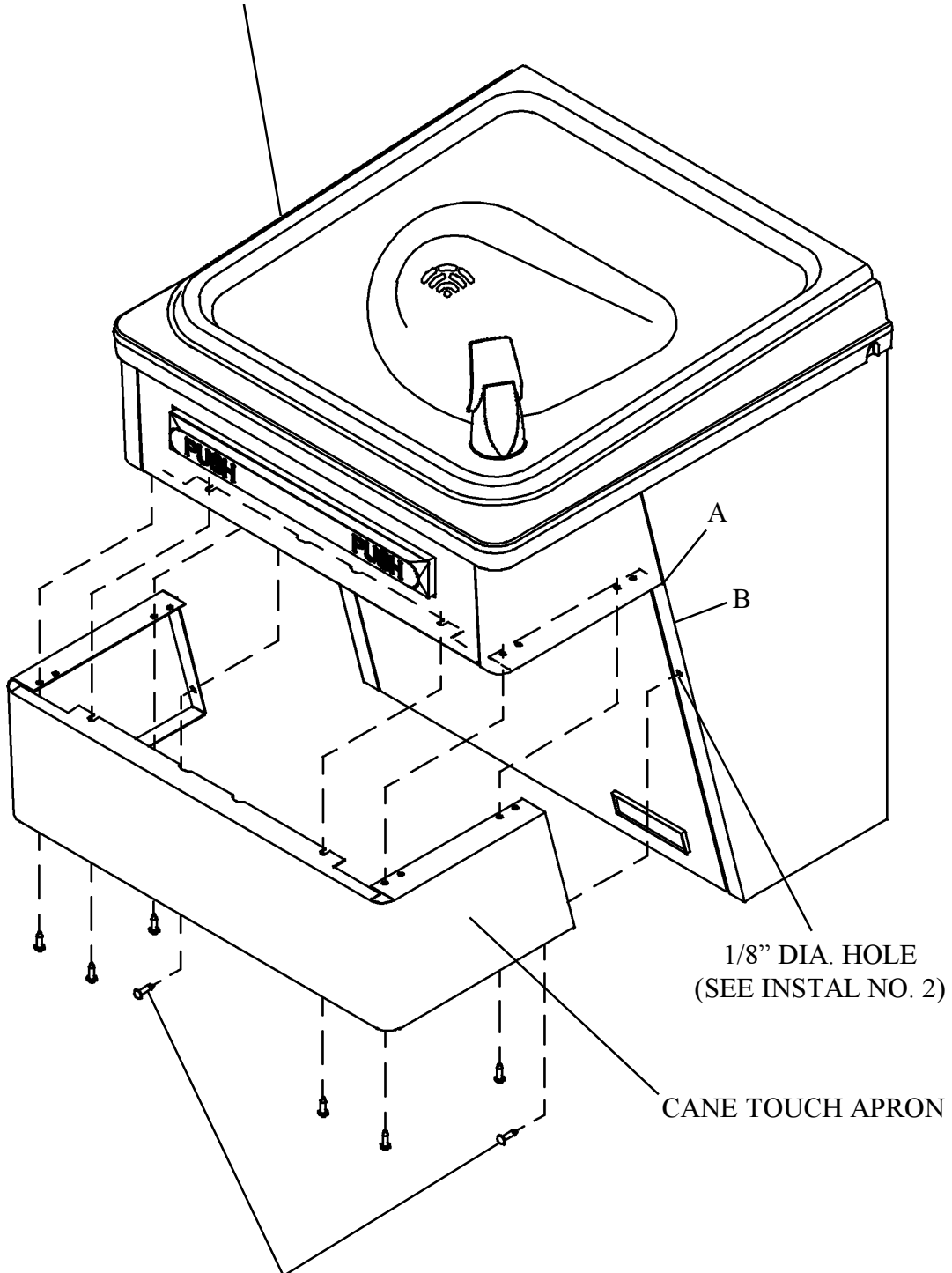
- 3) Loosen and remove screws from underside of cooler/fountain dispenser panels.
- 4) Install cane touch apron to underside of cooler/fountain dispenser panels.
- 5) Reuse fasteners removed in step 3 above.
- 6) Attach lower edges of apron to cooler side panels with screws provided. (Using two holes drilled in step 2 above)

CANE TOUCH APRON COLOR OPTIONS:

PART NO.	FINISH
27620C	Bronzestone
26778C	Gray Beige Vinyl
26779C	Almond Vinyl
26780C	Sandelwood Vinyl
26781C	Walnut Vinyl
26782C	Special Paint
26783C	Stainless Steel



UNIT (W/O REFRIG.)



SEE INSTALLATION NO. 6

FOR PARTS, CONTACT YOUR LOCAL DISTRIBUTOR OR CALL 1.800.323.0620
ELKAY MANUFACTURING COMPANY • 2222 CAMDEN COURT • OAK BROOK, IL 60523 • 630.574.8484