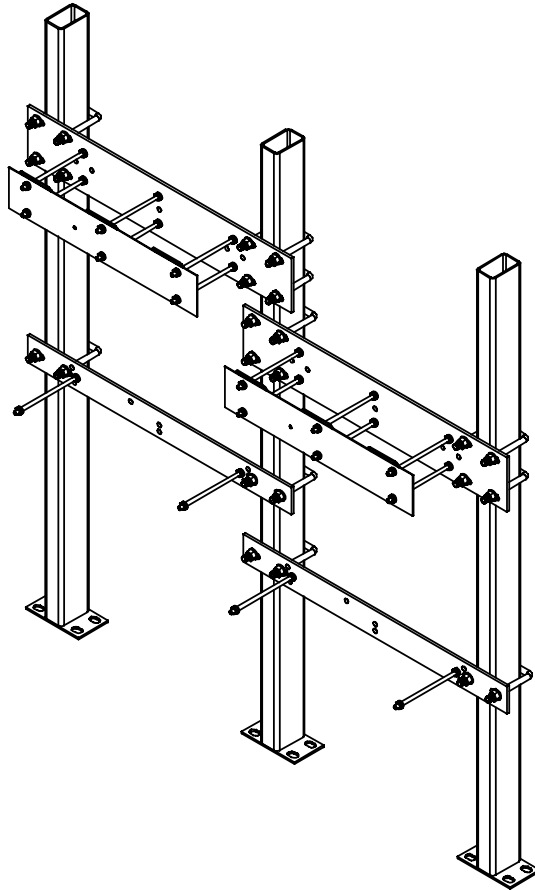


# Mounting Plate Instructions

Model MLP200



## Installer

To assure you install this model easily and correctly,  
PLEASE READ THESE SIMPLE INSTRUCTIONS BEFORE STARTING THE  
INSTALLATION. CHECK YOUR INSTALLATION FOR COMPLIANCE WITH  
PLUMBING, ELECTRICAL AND OTHER APPLICABLE CODES. After installation,  
keep these instructions for future reference.

## IMPORTANT

ALL SERVICE TO BE PERFORMED BY AN AUTHORIZED SERVICE PERSON

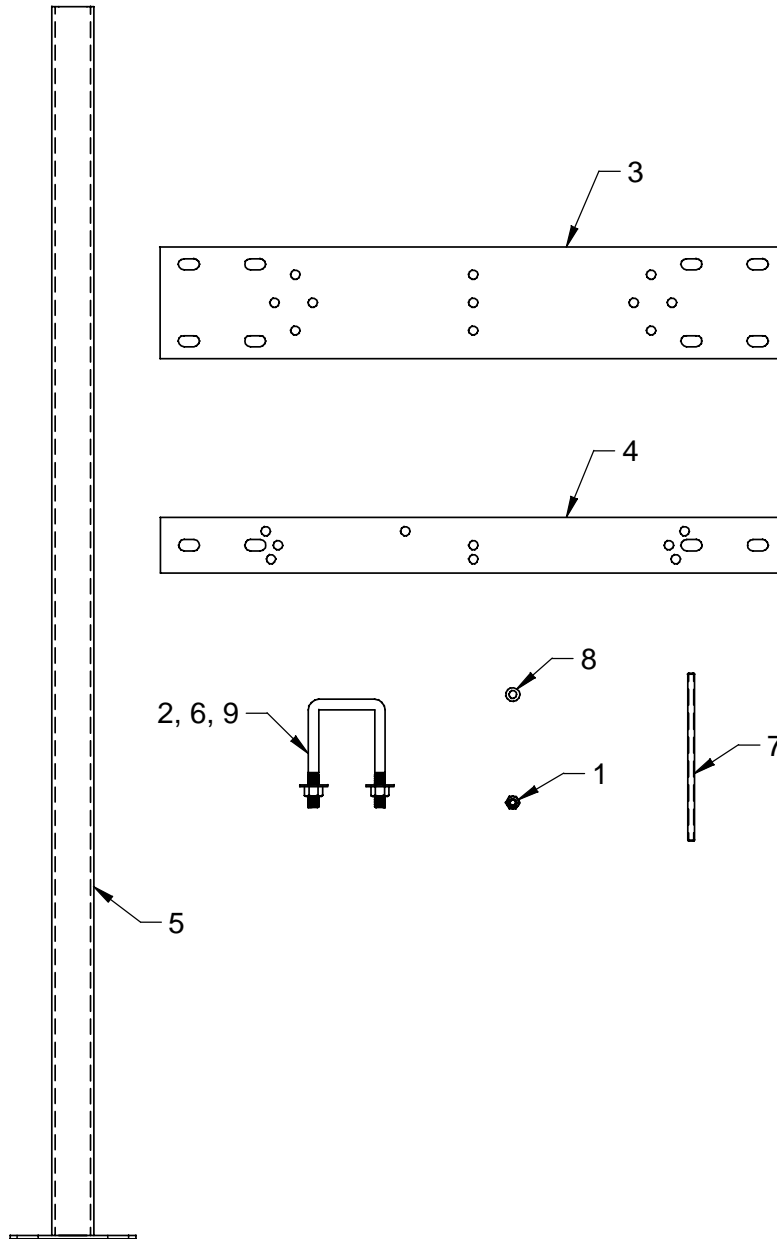
# MLP200

This Mounting Plate System is designed for use with the following models:  
EMABF-TL, EZ-TL, HAC-BL, HTV-BL, HVR-BL, and VRC-TL.

## Parts List

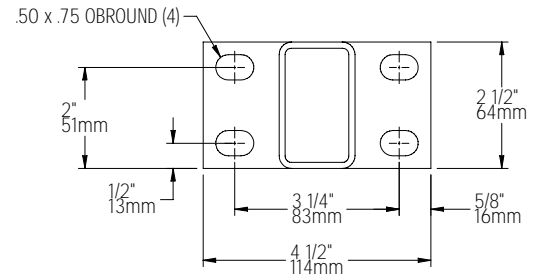
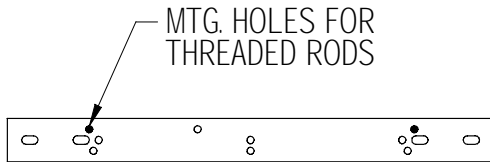
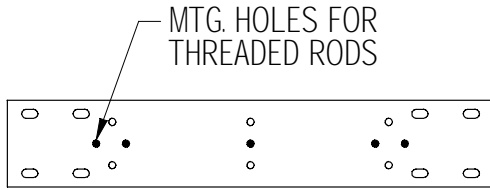
Refer to the illustration to make sure you receive all mounting plate parts. If any parts are missing contact your local distributor or call 1.800.260.6640.

ITEM NO.	QTY.	PART NO.	DESCRIPTION
1	64	110041643890	Hex Nut 1/4-20
2	24	110175443890	Hex Nut 3/8-16
3	2	28779C	Upper Mounting Plate
4	2	28780C	Lower Mounting Plate
5	3	28781C	Support Column Assy.
6	12	75707C	U-Bolt 3/8-16 UNC 2A
7	16	75711C	Threaded Rod 1/4-20 x 6 In.
8	64	75544C	Flat Washer 1/4 In.
9	24	75545C	Flat Washer 3/8 In.

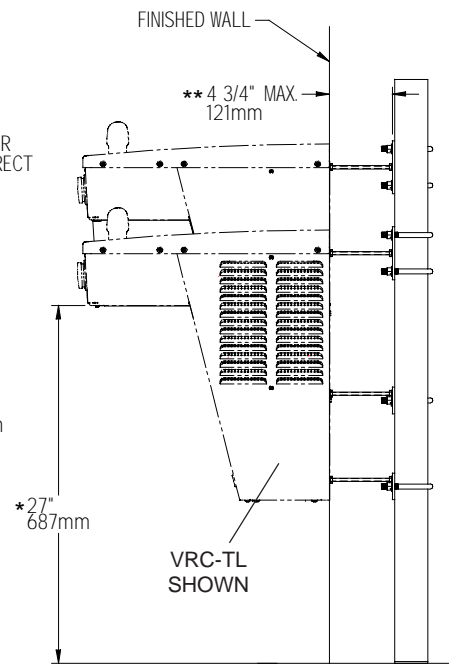
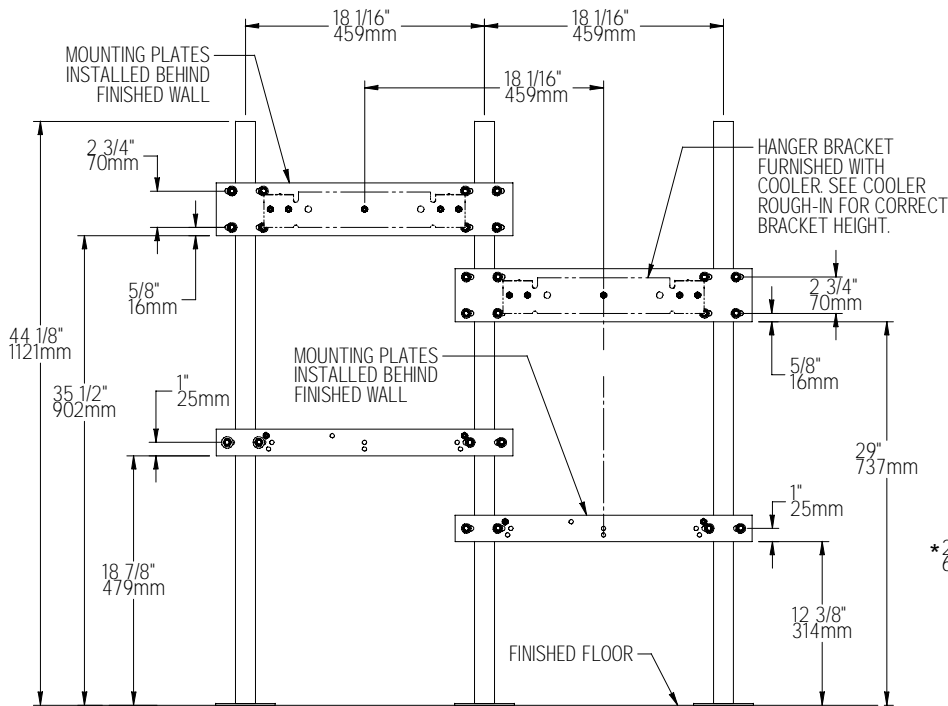
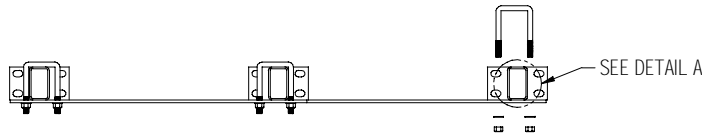
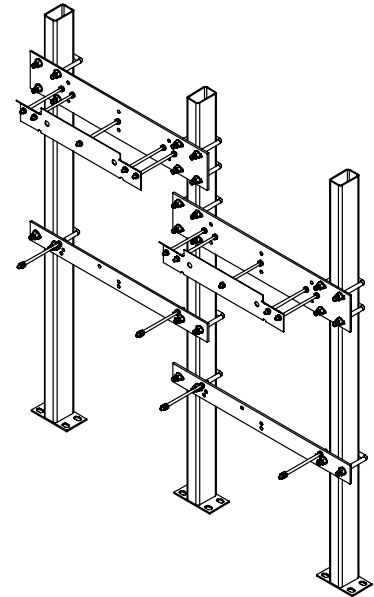


# MLP200

## EMABF-TL, HAC-BL, HVR-BL, and VRC-TL Models - For electrical, waste, and water supply locations please refer to the Installation/Owners manual.



DETAIL A



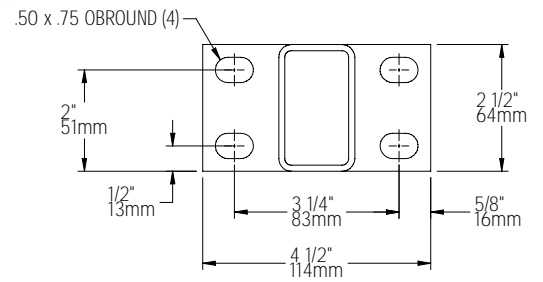
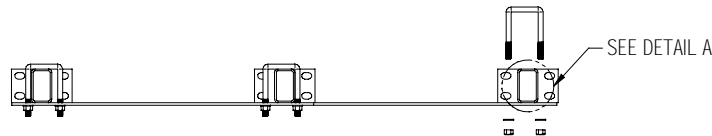
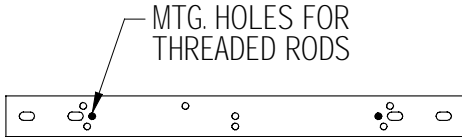
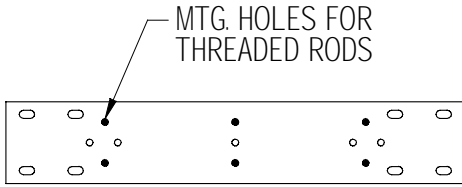
\* ADA REQUIREMENT - REDUCE HEIGHT BY 3" FOR INSTALLATION OF CHILDRENS ADA COOLER.

\*\* WITH STANDARD STUD LENGTH OF 6 INCHES.

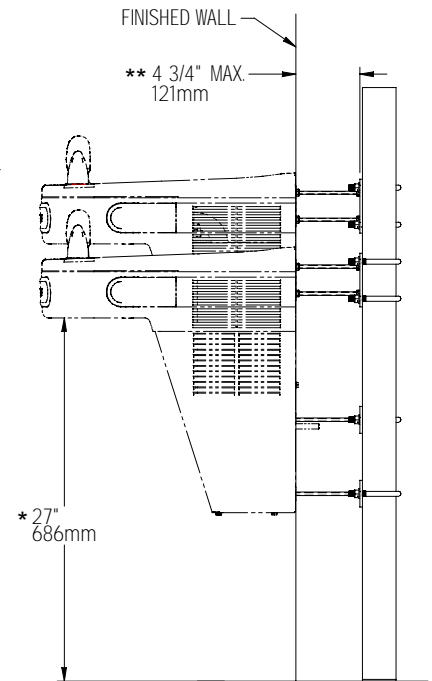
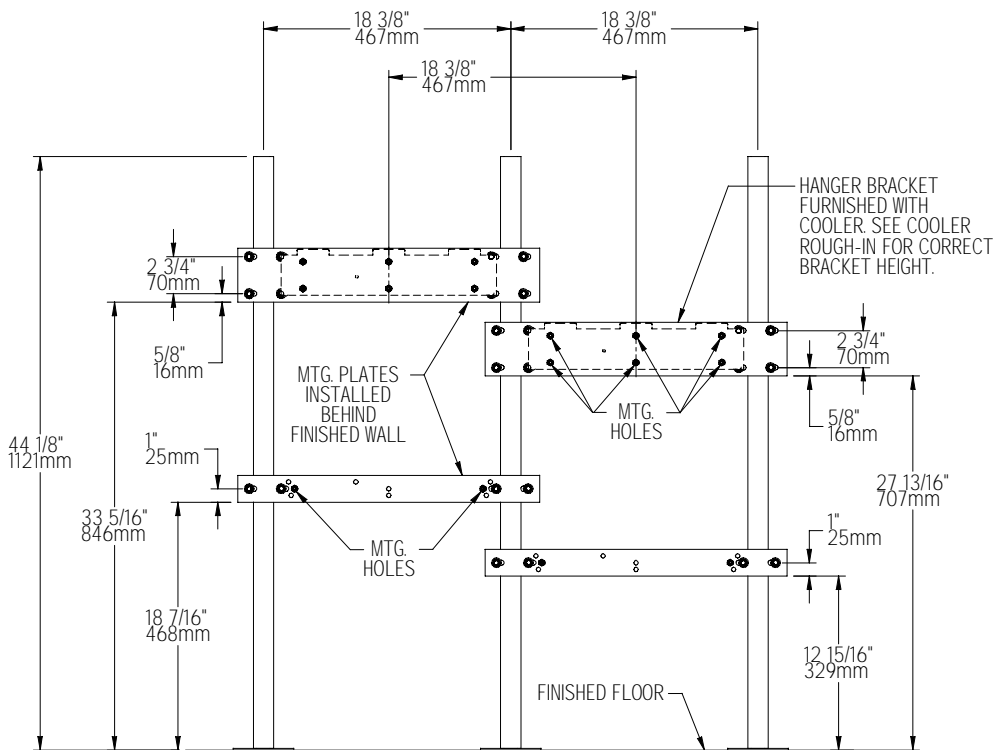
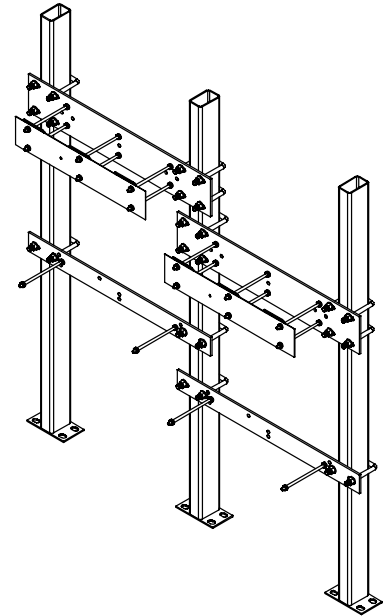
NOTE - AFTER INSTALLATION, U-BOLTS AND THREADED RODS MAY NEED TO BE TRIMMED.

# MLP200

**EZ-TL Model - For electrical, waste, and water supply locations please refer to the Installation/Owners manual.**



DETAIL A



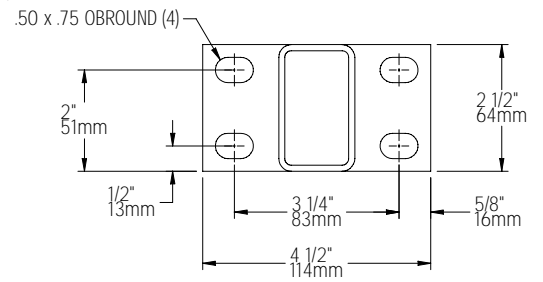
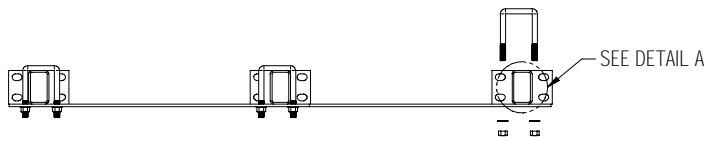
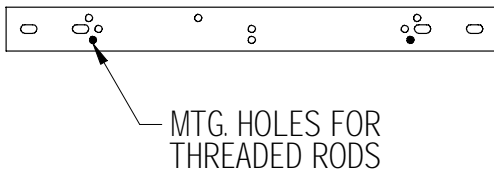
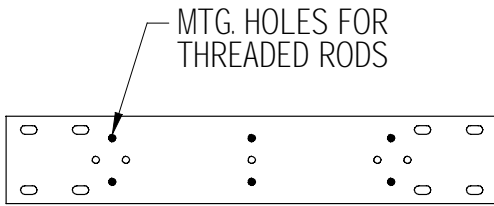
\* ADA REQUIREMENT - REDUCE HEIGHT BY 3" FOR INSTALLATION OF CHILDRENS ADA COOLER.

\*\* WITH STANDARD STUD LENGTH OF 6 INCHES.

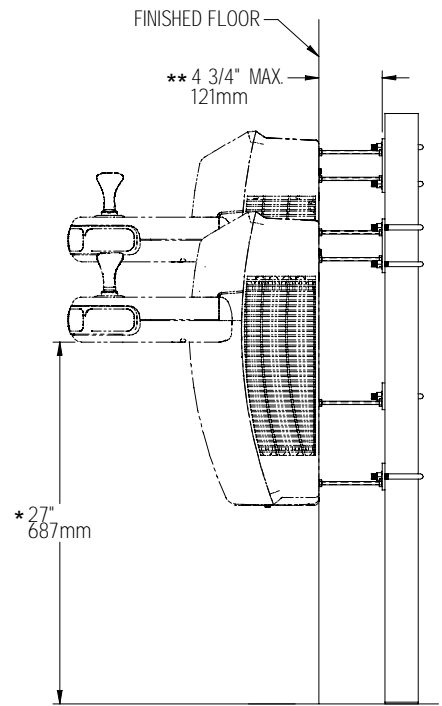
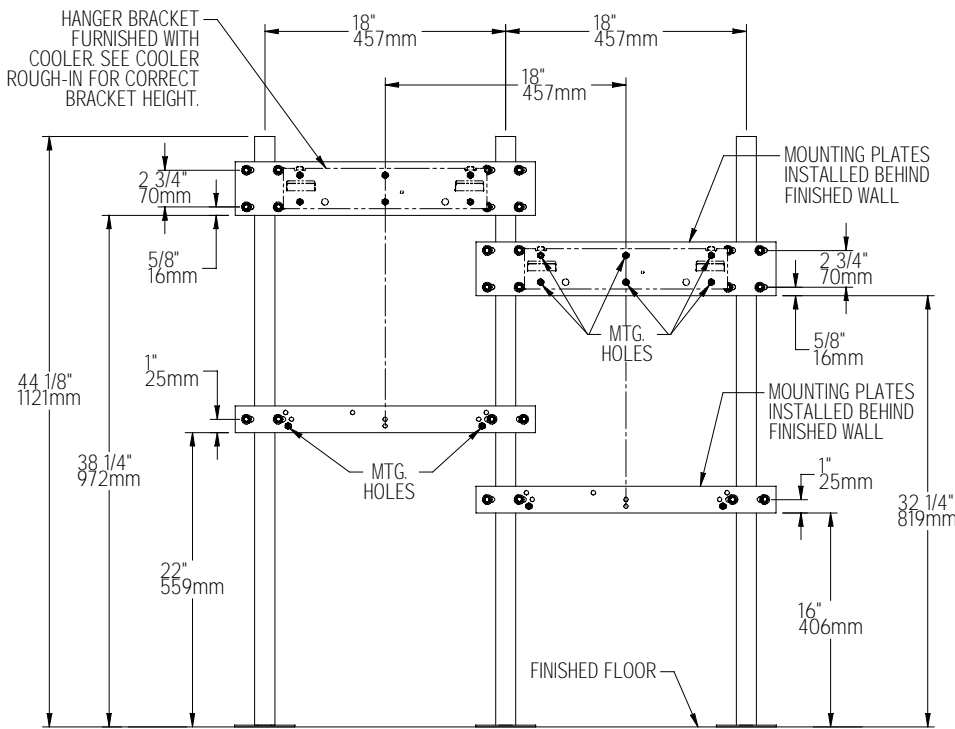
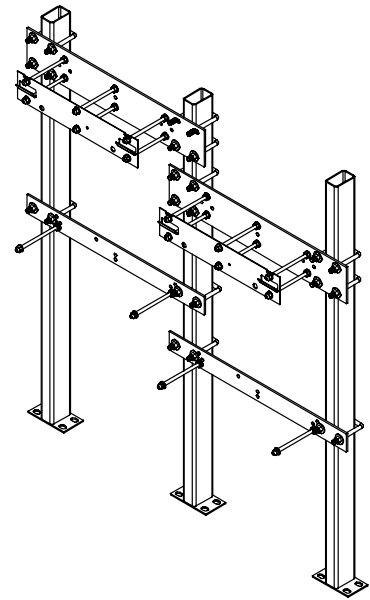
NOTE - AFTER INSTALLATION, U-BOLTS AND THREADED RODS MAY NEED TO BE TRIMMED.

# MLP200

**HTV-BL Model - For electrical, waste, and water supply locations please refer to the Installation/Owners manual.**



**DETAIL A**



**\* ADA REQUIREMENT - REDUCE HEIGHT BY 3" FOR INSTALLATION OF CHILDRENS ADA COOLER.**

**\*\* WITH STANDARD STUD LENGTH OF 6 INCHES.**

**NOTE - AFTER INSTALLATION, U-BOLTS AND THREADED RODS MAY NEED TO BE TRIMMED.**

REPAIR SERVICE INFORMATION CALL TOLL FREE NUMBER 1.800.260.6640