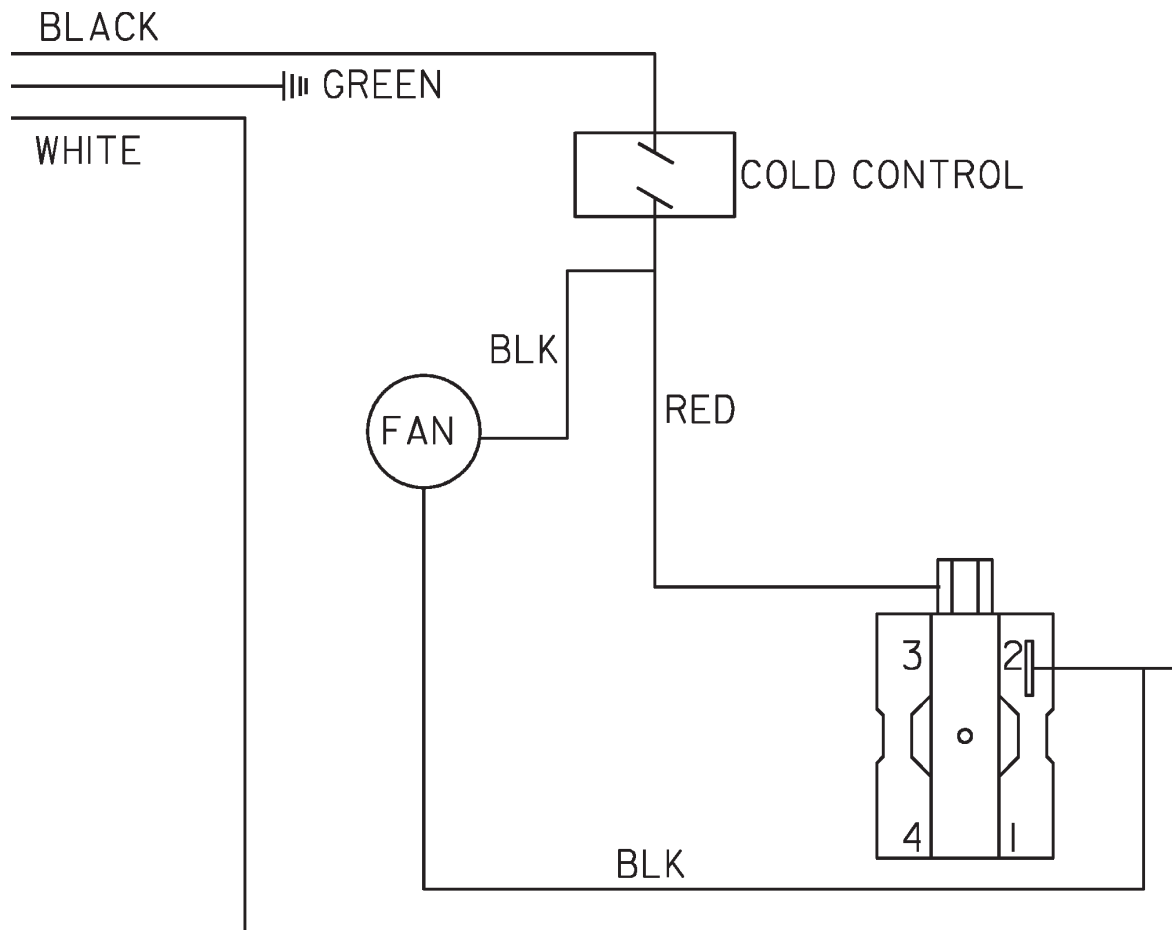


# INSTRUCTION SHEET FOR 35815C COMPRESSOR SERVICE KIT

THIS KIT CONTAINS TWO NEW ITEMS FOR THIS COMPRESSOR.

- A NEW RELAY (P/N 30681C) WHICH DOES NOT HAVE THE 1/4" CONNNECTOR FOR THE COMMON COMPRESSOR TERMINAL AND A RED WIRE (P/N 36014C) WITH A PIN CONNECTOR FOR THE COMMON TERMINAL.
- THE RED WIRE SHOULD BE USED TO REPLACE THE HOT SIDE OF THE POWER CORD BETWEEN THE COLD CONTROL AND THE COMPRESSOR COMMON PIN. A PIGGY BACK CONNECTOR IS PROVIDED FOR CONNECTING THE FAN LEAD. IF YOUR COOLER IS NOT FAN COOLED THE EXTRA 1/4" TERMINAL SHOULD BE REMOVED.
- IF THIS COMPRESSOR IS AN EXACT REPLACEMENT FOR YOUR OLD ONE AND YOUR OLD RELAY IS IN GOOD CONDITION IT MAY BE USED IN PLACE OF THE NEW RELAY AND RED WIRE.

## WIRING DIAGRAM



FOR PARTS, CONTACT YOUR LOCAL DISTRIBUTOR OR CALL 1.800.323.0620