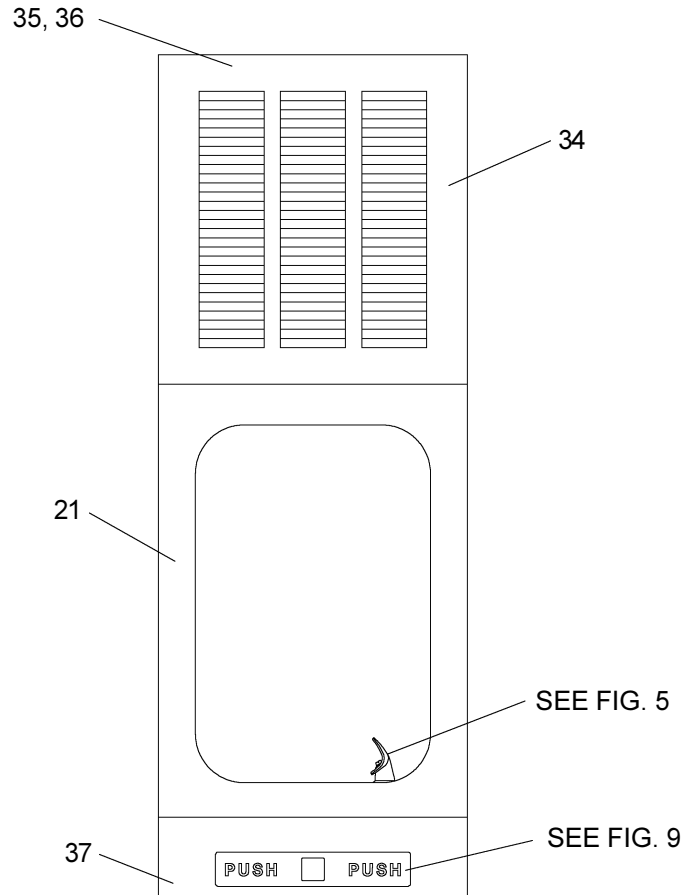


Installation/Care/Use Manual

Fully Recessed Refrigerated Fountain with FLEXI-GUARD[®]



Installer

To assure you install this model easily and correctly, PLEASE READ THESE SIMPLE INSTRUCTIONS BEFORE STARTING THE INSTALLATION. CHECK YOUR INSTALLATION FOR COMPLIANCE WITH PLUMBING, ELECTRICAL AND OTHER APPLICABLE CODES. After installation, leave these instructions inside the fountain for future reference.

IMPORTANT

ALL SERVICE TO BE PERFORMED BY AN AUTHORIZED SERVICE PERSON

IMPORTANT! INSTALLER PLEASE NOTE.

THE GROUNDING OF ELECTRICAL EQUIPMENT SUCH AS TELEPHONE, COMPUTERS, ETC. TO WATER LINES IS A COMMON PROCEDURE. THIS GROUNDING MAY BE IN THE BUILDING OR MAY OCCUR AWAY FROM THE BUILDING. THIS GROUNDING CAN CAUSE ELECTRICAL FEEDBACK INTO A FOUNTAIN, CREATING AN ELECTROLYSIS WHICH CAUSES A METALLIC TASTE OR AN INCREASE IN THE METAL CONTENT OF THE WATER. THIS CONDITION IS AVOIDABLE BY USING THE PROPER MATERIALS AS INDICATED. ANY DRAIN FITTINGS PROVIDED BY THE INSTALLER SHOULD BE MADE OF PLASTIC TO ELECTRICALLY ISOLATE THE FOUNTAIN FROM THE BUILDING PLUMBING SYSTEM.

EHFRA7C ROUGH-IN

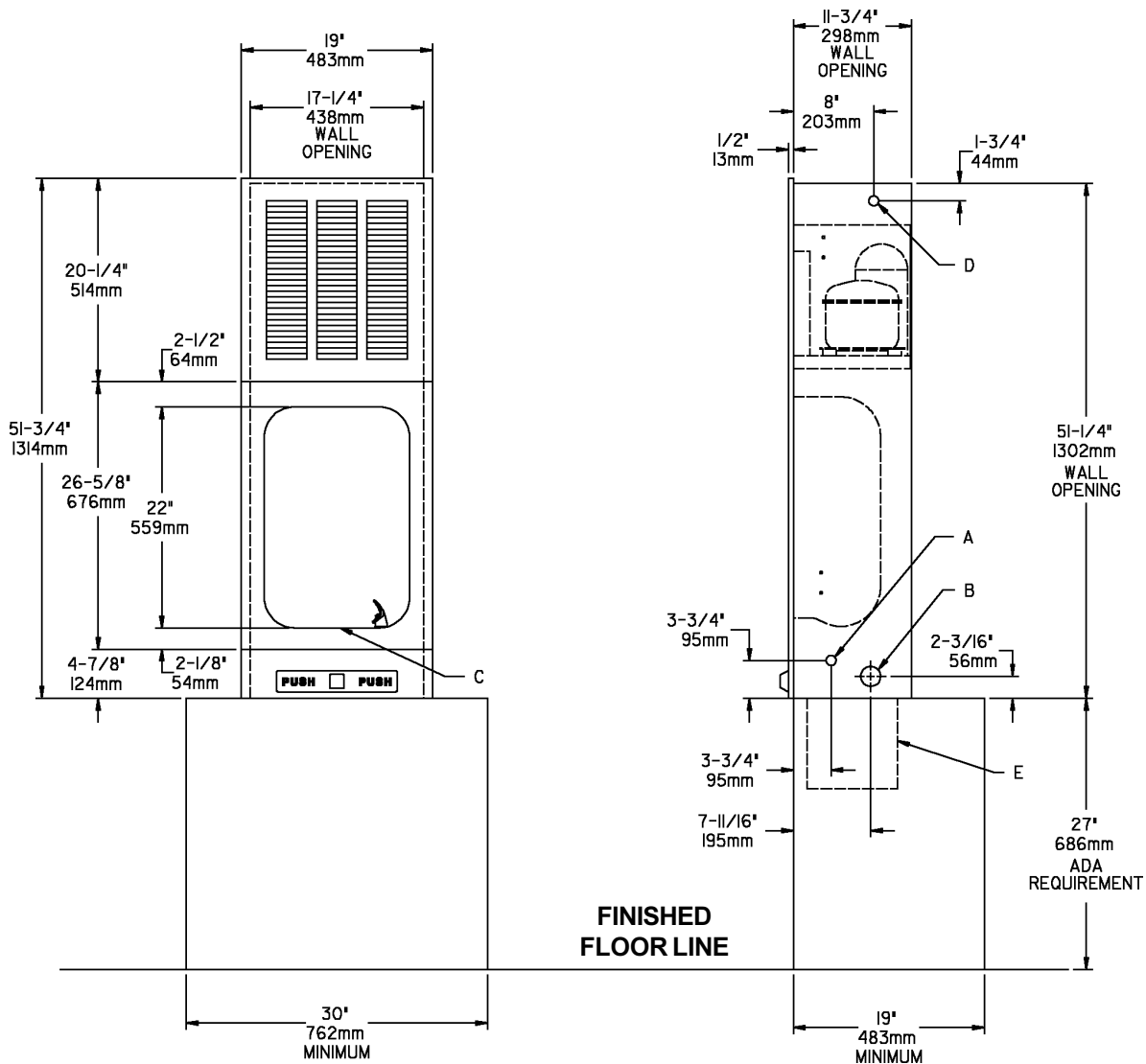


FIG. 1

LEGEND:

A = RECOMMENDED WATER SUPPLY LOCATION 3/8" O.D. UNPLATED COPPER TUBE CONNECT STUB 1-1/2" (38mm) OUT FROM WALL, SHUT OFF BY OTHERS (BOTH SIDES).

B = RECOMMENDED LOCATION FOR WASTE OUTLET 1-1/4" O.D. DRAIN (BOTH SIDES).

C = 1-1/4" TRAP NOT FURNISHED.

D = ELECTRICAL SUPPLY LOCATION (BOTH SIDES).

E = ACCESS TO TRAP MUST BE PROVIDED. IF REAR ACCESS IS NOT POSSIBLE, INSTALLATION CAN BE MADE THROUGH OPTIONAL ACCESS PANEL AP-99.

INSTALLATION INSTRUCTIONS

1. **Remove** shipping brace from mounting box and discard.
2. **Fasten** mounting box into wall cutout using screws or bolts (provided by others) through holes or knockouts provided on each side of the mounting box. (See Fig. 1)
3. **Place** refrigeration package into mounting box and connect water lines. (See Fig. 1)
4. **Remove** access panel (on bottom of mounting box) and install fountain body.
5. **Connect** water outlet tube on refrigeration package to water in tube on regulator holder (Item 19) with tubing and fitting provided. (See Fig. 2)
**** For glassfiller models see fig. 3.**
6. **Water** inlet is 3/8" O.D. and waste tube is 1-1/4" O.D. Contractor is to supply waste trap and service stop valve in accordance with local codes.
7. **Connecting** lines to be unplated copper and thoroughly flushed to remove all foreign matter before connecting to refrigeration package. The furnished strainer (Item 28) should be added to the supply line.
8. **Connect** the refrigeration package to the supply line with a shut off valve and install a 3/8" (10mm) unplated copper water line between the valve and the cooler. Remove burrs from outside of waterline. Insert water line straight into the fittings until they reach a positive stop, approximately 3/4". (See Figs. 6 and 7) **DO NOT SOLDER TUBES INSERTED INTO THE STRAINER AS DAMAGE TO THE O-RINGS MAY RESULT.**
9. **Electrical:** Insure power supply is identical in voltage, hertz, and phase to that specified on the refrigeration package serial plate. Never wire compressor directly to the power supply.
10. **Turn** water supply on and check thoroughly for leaks.
11. **Release** air from tank by depressing push bar; a steady stream of water assures all air is removed.
12. **Re-check** for leaks.
13. **Stream** height is factory set at 35 PSI. If supply pressure varies greatly from this, turn adjustment screw on regulator (Item 22). Clockwise adjustment will raise the stream height and counter-clockwise adjustment will lower stream height. For best adjustment, stream should hit basin approximately 6-1/2" from the bubbler.
14. **Rotate** fan blade on refrigeration package to insure proper clearance and free fan action.
15. **Connect** power supply.
16. **Replace** access panel and install grill using #8 x 1.00" (25mm) PH screws and small clips provided.

TROUBLE SHOOTING AND MAINTENANCE

1. **Orifice Assy:** Mineral deposits on orifice can cause water flow to spurt or not regulate. Mineral deposits may be removed from orifice with a small round file not over 1/8 diameter or a small diameter wire. **CAUTION: Do not file or cut orifice materials.**
2. **Actuation of Quick Connect Water Fittings:** Cooler is provided with lead-free connectors which utilize an o-ring water seal. To remove tubing from the fitting, relieve water pressure, push in on the gray collar while pulling on the tubing (See Fig. 7). To insert tubing, push tube straight into the fitting until it reaches a positive stop, approximately 3/4".
3. **CAUTION:** Cleaning of Bronzestone models requires special care. Outer surfaces must be cleaned with a mild detergent or a mixture of vinegar and water only, rinsed and wiped dry. Abrasive and acidic cleaners may eventually damage the Bronzestone finish.

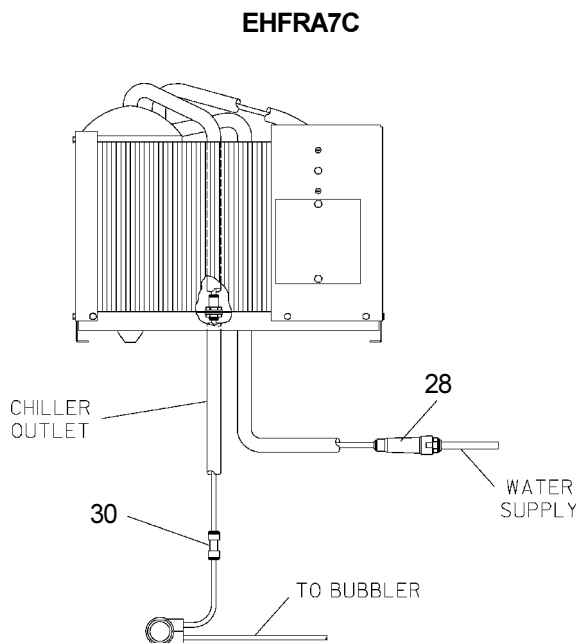


FIG. 2

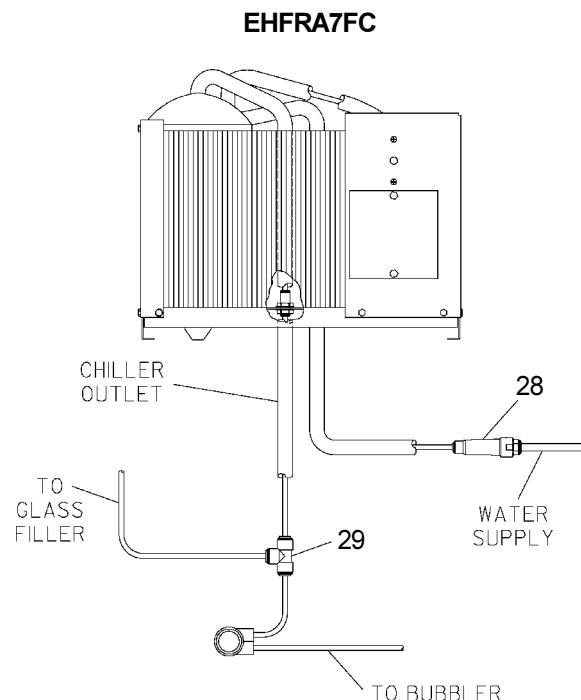


FIG. 3

EHFRA7C*A EHFRA7FC*A

PARTS LIST		
ITEM NO.	PART NO.	DESCRIPTION
1	15005C	NUT - RETAINING
2	21705C	CLIP - PUSH ROD
3	21708C	PUSH BAR ASSY
4	21695C	BRKT - LEVER PUSH
5	21696C	BRKT - PUSH BAR MTG
6	31525028	O-RING
7	40045C	HEX NUT - UNPLTD
8	40206000	RETAINER
9	40322C	ORIFICE ASSY
10	40493C	GLASS FILLER
11	72000833	WASTE ARM ASSY
12	40038C	STRAINER
13	40619C	FERRULE
14	40628C	WASTE ARM
15	50074C	GASKET - TAILPIPE
16	55997C	PEDESTAL
17	50198C	BUSHING - SNAP
18	56011C	HOUSING ASSY
19	50986C	HOLDER - REGULATOR
20	56073C	BUBBLER ASSY
21	55001089	FOUNTAIN
	EHFRADF	FOUNTAIN W/GF
22	61314C	REGULATOR
23	62084C	TUBE ASSY - GF
24	70002C	SCREW-#10 X .50 HHSM
25	70012C	NUT - 3/8-18 LKNT
26	70278C	ROD - SUPPORT
27	70378C	ROD - PUSH
28	55996C	STRAINER
29	70682C	TEE - 1/4 (EHFRA7FC)
30	70683C	UNION- 1/4 (EHFRA7C)
31	70379C	ROD - PIVOT
32	112627543890	SCREW - #10-24 X .50 PHTC
33	75555C	CLIP -.125 STUD LOCK
34	EG25	GRILL
35	74070030	SCREW - #8 X 1.00 PH
36	74070032	SPEED NUT #8
37	74130045	CLIP - TINNERMAN

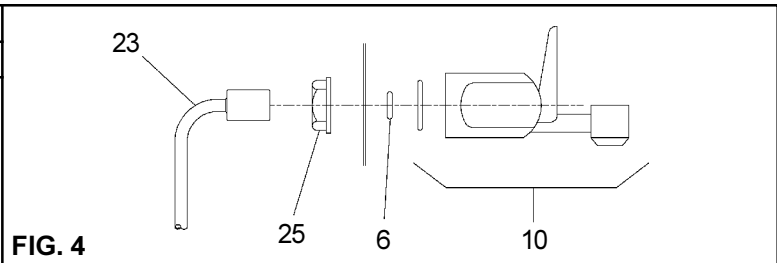


FIG. 4

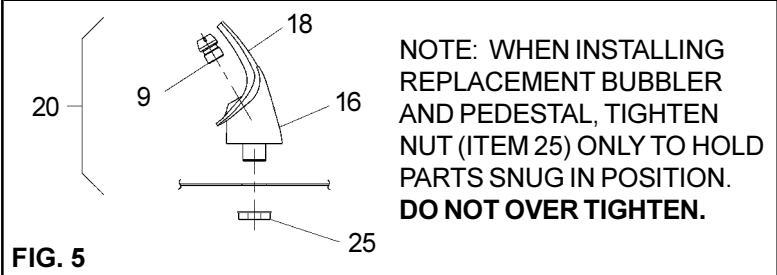


FIG. 5

NOTE: WHEN INSTALLING REPLACEMENT BUBBLER AND PEDESTAL, TIGHTEN NUT (ITEM 25) ONLY TO HOLD PARTS SNUG IN POSITION. DO NOT OVER TIGHTEN.

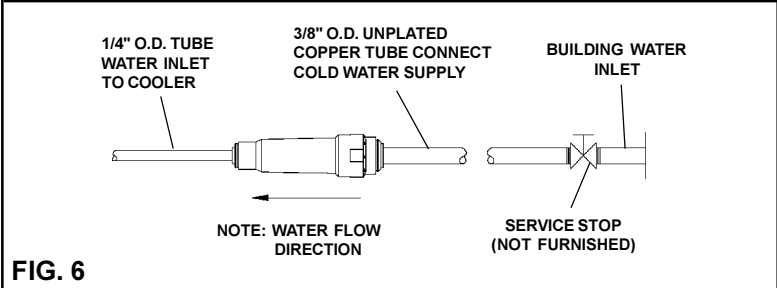


FIG. 6

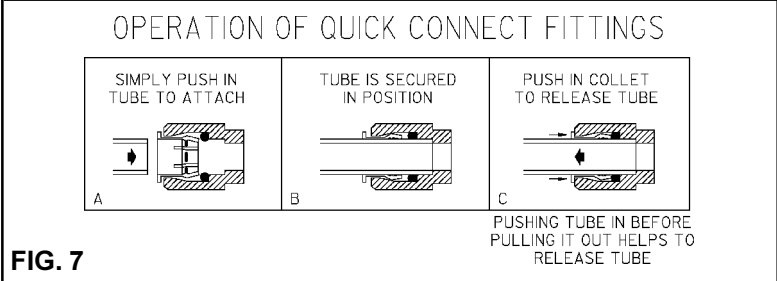


FIG. 7

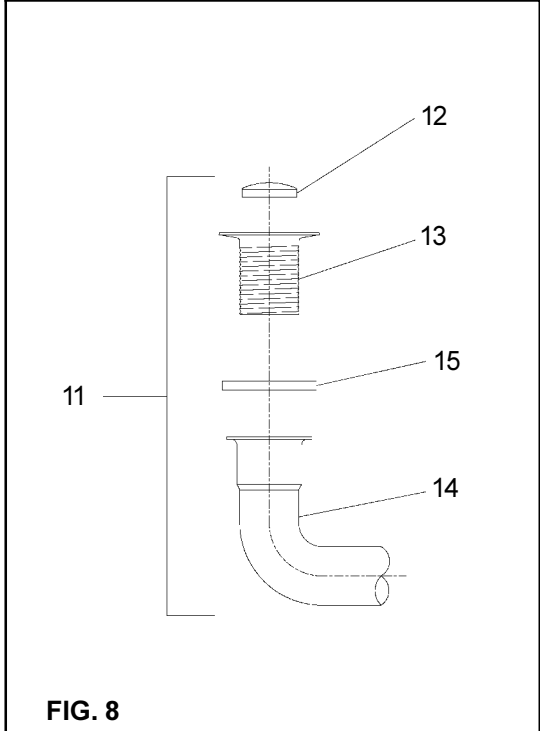


FIG. 8

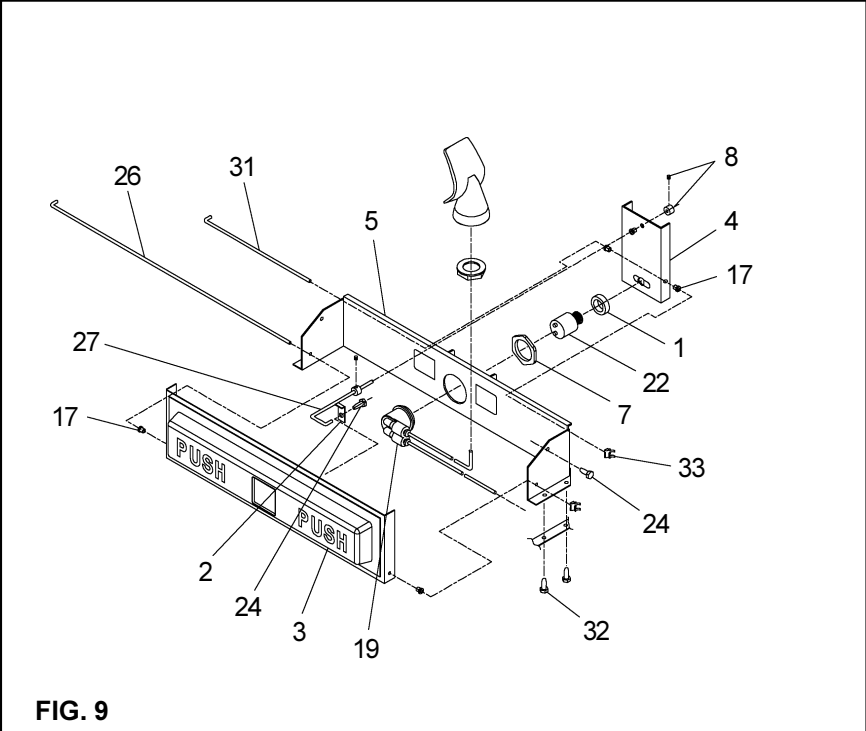


FIG. 9

FOR PARTS, CONTACT YOUR LOCAL DISTRIBUTOR OR CALL 1.800.323.0620
ELKAY MANUFACTURING COMPANY • 2222 CAMDEN COURT • OAK BROOK, IL 60523 • 630.574.8484