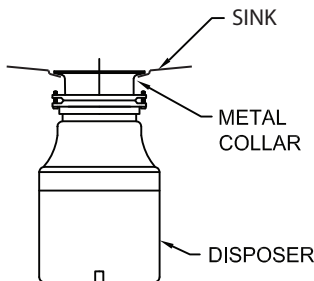


# Installation Instructions

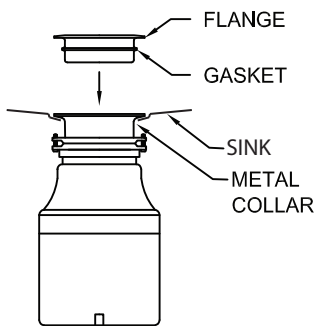
## LKD35 / RVD35 Series

## LKS35 / RVS35 Series

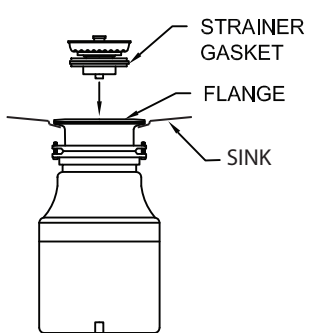
### LKD35 / RVD35 - SINK FLANGE WITH REMOVABLE STRAINER FOR GARBAGE DISPOSALS



- ① MAKE SURE DISPOSER IS INSTALLED PROPERLY TO SINK AND CLAMP IS SECURE
- ② CLEAN INSIDE OF METAL COLLAR (SUPPLIED WITH GARBAGE DISPOSER)



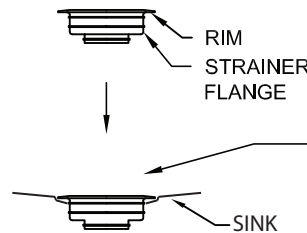
- ③ LUBRICATE FLANGE GASKET WITH WATER AND PUSH FLANGE SLOWLY INTO THE METAL COLLAR. PRESS FIRMLY UNTIL IN PLACE.



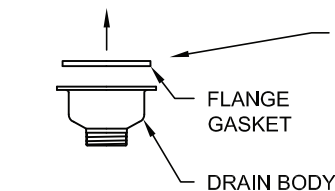
- ④ LUBRICATE GASKET ON STRAINER WITH WATER AND PUSH SLOWLY INTO THE FLANGE

WILL NOT FIT ANY GARBAGE DISPOSAL THAT ACCOMMODATES A 3-1/4"(83mm) DIAMETER FLANGE (I.E. GE, SINKMASTER, WHIRLWAY MODELS WITH THE EZ MOUNT FLANGE). WILL NOT FIT BATCH FEED GARBAGE DISPOSALS.

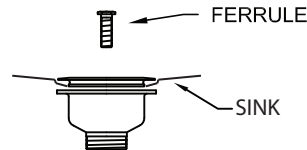
### LKS35 / RVS35 - DRAIN WITH REMOVABLE STRAINER



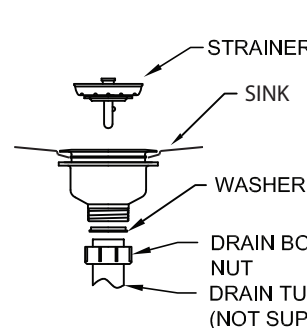
- ① APPLY A SMALL AMOUNT OF NEUTRAL CURE\* SILICONE CAULK / ADHESIVE UNDER THE RIM OF STRAINER FLANGE
- ② PLACE INTO SINK



- ③ LUBRICATE FLANGE GASKET WITH WATER, PLACE INTO LIP OF DRAIN BODY AND POSITION DRAIN BODY ON THE SINK BOTTOM



- ④ LINE UP RIBS IN DRAIN BODY AND STRAINER FLANGE THEN SCREW IN FERRULE. **CAUTION:** HAND TIGHTEN THEN 1/4 TURN WITH SMALL SCREW DRIVER. DO NOT OVER TIGHTEN. REMOVE EXCESS CAULK / ADHESIVE



- ⑤ PUSH STRAINER INTO FERRULE IN DRAIN BODY
- ⑥ MAKE SURE WASHER IS IN POSITION, SLIDE NUT ON 1 1/2" DRAIN TUBING AND HAND TIGHTEN THE DRAIN BODY NUT. TEST FOR LEAKS.

\*SOME EXAMPLES OF NEUTRAL CURE SEALANTS ARE AS FOLLOWS:

- GE SILICONE II PRODUCTS
- POLYSEAMSEAL EVERBRIGHT ACTIVE SILICONE SEALANT
- WHITE LIGHTNING SILICONE ULTRA KITCHEN AND BATH
- DAP SILICONE PRODUCTS