

ELKAY

INSTALLATION INSTRUCTIONS

SAVE FOR END USER

ELKAY FAUCET LIMITED WARRANTY

Elkay warrants its faucets to be free of defects in workmanship and material for a period of one year from the date of purchase. Replacement parts are available from Elkay for a nominal charge. Upon return of a defective part to Elkay during the warranty period with written notice of the claimed defect, Elkay will refund the replacement charge.

WASTE FITTINGS AND ACCESSORIES ARE NOT WARRANTED; OTHER WARRANTY CONDITIONS:

Our warranty does not cover product failure caused by abusive treatment, misuse, or damage due to handling or faulty installations. This warranty is extended only to the original consumer purchaser of the product. This warranty does not cover shipping costs, labor costs, or any other charges for such items as installation or replacement of the sink, diagnosis or replacement of any faucet or component part, or any other expense or loss.

ALL INCIDENTAL OR CONSEQUENTIAL DAMAGES ARE SPECIFICALLY EXCLUDED. NO ADDITIONAL WARRANTIES, EXPRESS OR IMPLIED, ARE GIVEN. ANY IMPLIED WARRANTY, INCLUDING ONE OF MERCHANTABILITY OR FITNESS FOR A PARTICULAR PURPOSE, IS LIMITED TO THE DURATION OF THIS WRITTEN WARRANTY.

Some states do not allow the exclusion or limitation of incidental or consequential damages or limitations on how long an implied warranty lasts, so the above limitations or exclusions may not apply to you.

This warranty gives you specific legal rights, and you may also have other rights which vary from state to state.

TO OBTAIN SERVICE UNDER WARRANTY

1. Write to: Elkay
Attention: Consumer Service
2222 Camden Court
Oak Brook, Illinois 60523
2. Include a letter containing the following information:
 - a. Date of purchase and installation
 - b. Description of nature of defect
 - c. Model number or description of model and/or component part if possible.

CARE AND CLEANING INSTRUCTIONS

Your Elkay faucet has been constructed of the finest materials, however, certain precautions must be taken to maintain the lustrous decorative finish.

Do not use abrasive cleanser or harsh chemical cleanser on this product which could damage the finish.

Use of a soft cloth with a warm water wash to wipe down the faucet will generally remove dry water spots. Never use alcohol or other organic solvents.

TO PURCHASERS OF ELKAY INSTITUTIONAL FAUCETS

By public referendum known as "Proposition 65" the State of California requires manufacturers of many types of products to warn consumers if their products contain certain chemicals listed by the State of California as either carcinogen or reproductive toxins.

This warning is a requirement only in the State of California. More than 200 chemicals are listed by the state as carcinogen or reproductive toxins for which similar warnings are required and many of the listed chemicals occur naturally in food, water and the atmosphere.

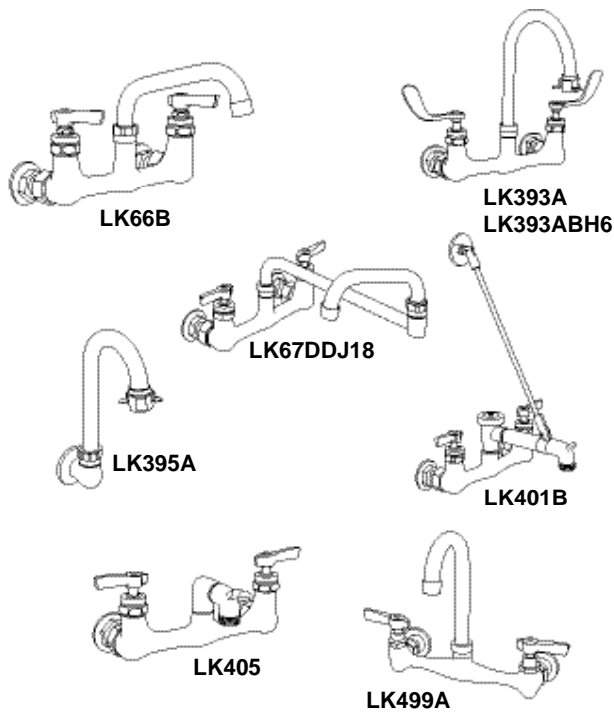
This California listing imposes limits that, in many cases, are far below those allowed by the federal government and like all brass or bronze plumbing products, this item already meets federal standards and guidelines for maximum allowable lead content.

Brass faucets have been used for decades without any proven harmful effects and industry tests have further indicated no significant health risks.

NOTICE: TO OWNERS OF ELKAY INSTITUTIONAL FAUCETS – CONSUMER WARNING!

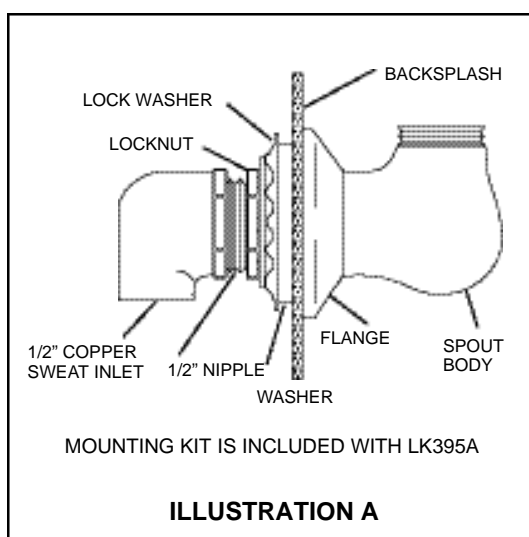
This product contains chemicals known to the State of California to cause birth defects or other reproductive harm. Lead, which is contained in all brass and bronze faucets in very limited amounts appears on the state's list.

WALL MOUNT ASSEMBLY



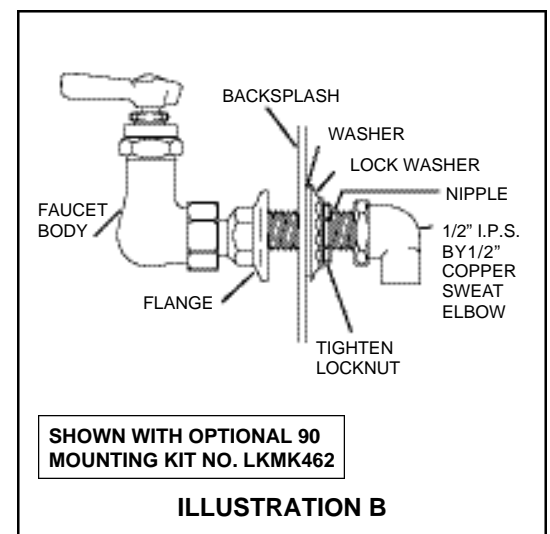
General Instructions:

- Turn off the water supply at the main source.
- Hand tighten all parts prior to tightening with wrench. Do not force parts together.
- Handle plated surfaces with care, being careful not to scratch with tools.
- Wall mount faucets have a 1/2" I.P.S. female flanged inlet.
- For easier assembly, you may purchase as an accessory, the LKMK462 mounting kit (see illustration B).



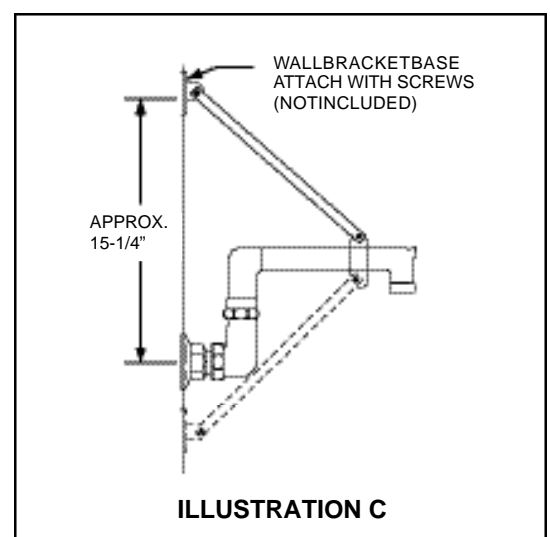
Assemble Flanges to Backsplash:

1. Apply teflon tape or pipe joint compound to the supply line nipples.
2. Place nipples through holes in backsplash.
3. Assemble each flange to one nipple, then the other.
4. Using the optional LKMK462, apply in order behind the backsplash: rubber washer, lock washer, lock nut and elbow (see illustration B).
5. Thread flange loosely against wall or backsplash.

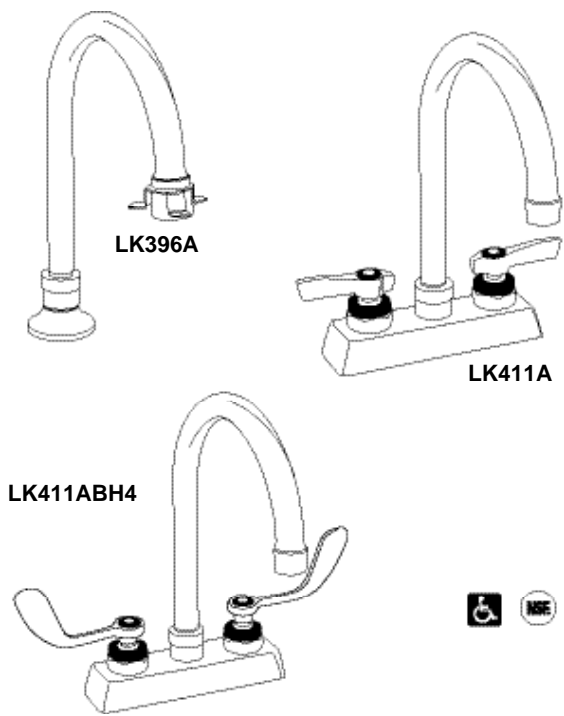


Assemble Faucet to Flange:

1. Carefully orient, mount and hand tighten the faucet to the two flanges. Be sure to include the washers provided.
2. Use wrench to tighten flange against backsplash. (Maintain alignment of faucet or spout to sink while tightening.)
3. Wrench tighten flanges to faucet body, tighten flange against backsplash.
4. Make sure drain is attached and turn on water supply – being sure to check for leaks. Wrench tighten where needed.
5. For Model LK401B, the support bracket may either be placed above or below the faucet (see illustration C). After installing the faucet, place wall bracket against wall for location of the proper anchors and fasteners.



DECK MOUNT ASSEMBLY



General Instructions:

- Turn off the water supply at the main source.
- Hand tighten all parts prior to tightening with wrench. Do not force parts together.
- Handle plated surfaces with care, being careful not to scratch with tools.
- All deck mount faucets and spouts come complete with compression nut, cone washer and friction ring for 1/2" O.D. tube.

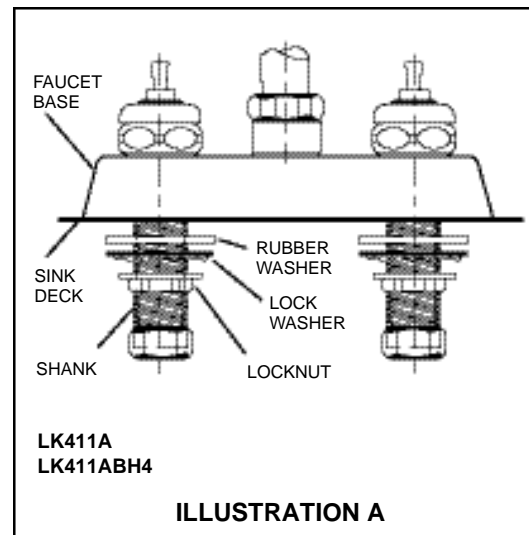


ILLUSTRATION A

Assemble Base to Sink Deck:

1. Apply teflon tape or pipe joint compound to the threads on the shank(s).
2. Apply a small amount of plumbers putty or sealant along faucet base.
3. Place shank(s) through holes in deck.
4. Apply in order: rubber washer, lock washer and lock nut (see illustrations A and B).
5. Use wrench to tighten locknut against deck of sink. (Maintain alignment of faucet or spout to sink while tightening.)
6. Attach supply lines.
7. Make sure drain is attached and turn on water supply – being sure to check for leaks. Tighten with wrench where needed.

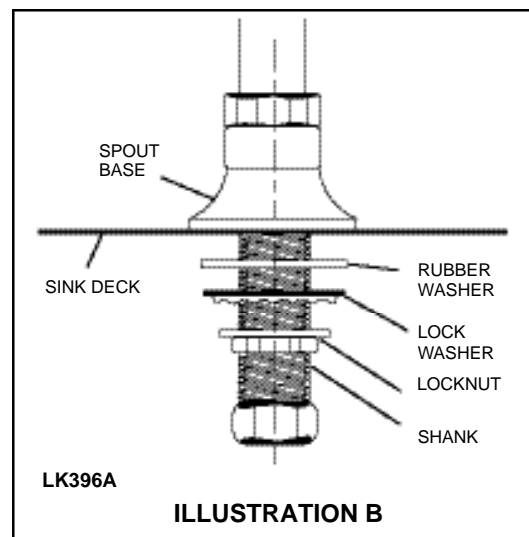
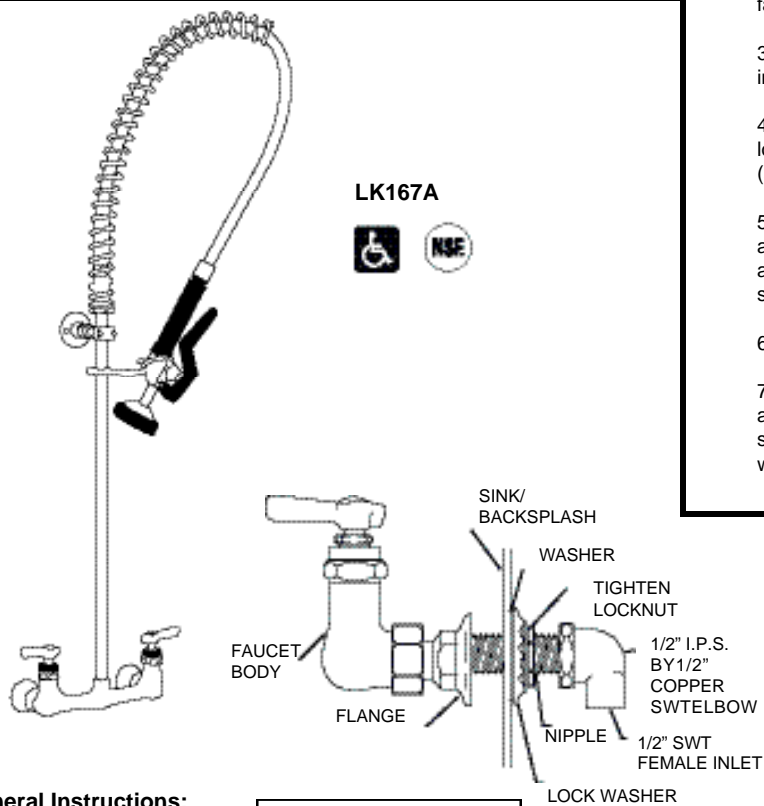


ILLUSTRATION B

PRE-RINSE ASSEMBLY



LK167A



SHOWN WITH OPTIONAL 90 MOUNTING KIT NO. LKMK462

ILLUSTRATION A

General Instructions:

- Turn off the water supply at the main source.
- Hand tighten all parts prior to tightening with wrench. Do not force parts together.
- Handle plated surfaces with care, being careful not to scratch with tools.
- All wall mount faucets have a 1/2" I.P.S. female flanged inlet.
- For easier assembly, you may purchase as an accessory, the LKMK462 mounting kit (see illustration A). For spout model LK395Aa mounting kit is included.

Apply Pipe Joint Compound or Teflon Tape to threads on both ends of Riser Pipe. Thread Riser Pipe into Faucet Body and hand tighten.

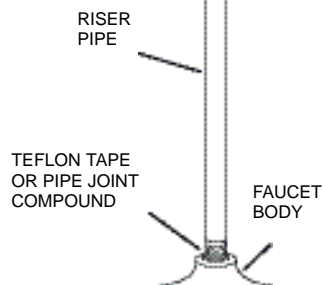


ILLUSTRATION B

Assemble Flanges to Backsplash:

1. Apply teflon tape or pipe joint compound to the supply line nipples.
2. Place nipples through holes in backsplash.
3. Assemble flange of each coupling to one nipple, then the other.
4. Thread flange loosely against wall or backsplash.

Spread (open) clamp section of Hook so it will slide over Riser without marring finish of Riser. Orient Spray Head Hook with hook up and assemble to Riser. Place approximately one-half down length of Riser. Do not tighten at this time.

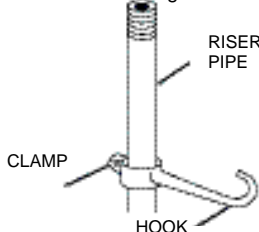


ILLUSTRATION C

- A. Assemble Spring Retainer to Riser Pipe and tighten with wrench. This will also tighten Riser Pipe on Faucet Body (see Illustration D).
- B. Insure O-ring is in place inside of Hose Coupling prior to assembly (see Illustration E). Additional O-rings are provided for future use.

ASSEMBLE FAUCET TO FLANGES:

1. Carefully orient, mount and hand tighten the faucet to the two flanges. Be sure to include the washers provided.
2. Use wrench to tighten flange against wall or backsplash. (Maintain alignment of faucet or spout to sink while tightening.)
3. Wrench tighten couplings to faucet body, tighten flange against sink/backsplash.
4. Assemble riser pipe (see illustration B).
5. Assemble spray head hook to riser (see illustration C).
6. Assemble wall bracket (see illustration D).
7. Assemble hose, spring, and spray head (see illustration E).
8. Make sure drain is attached and turn on water supply – being sure to check for leaks. Tighten with wrench where needed.

CAUTION! Manufacturer recommends the use of Wall Bracket Assembly to secure riser pipe on all Pre-Rinse Assemblies

Determine correct length of Support Rod from Wall to Riser Pipe. Cut Rod to approximate size. Affix Wall Bracket Base securely to Wall. Install Compression Nut and Brass Ferrule and tighten securely.

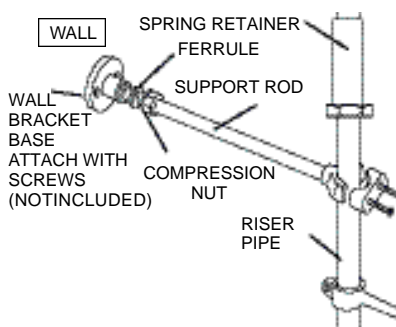


ILLUSTRATION D

NOTE: Wall Bracket should be located toward top of Riser Pipe as close as possible to Spring Retainer.

A. Assemble Large Coil Spring over Hose and onto Spring Retainer. IMPORTANT: Spring must be assembled vertically with large curve of spring to the top.

B. Assemble Spray Head Ring over Spray Head Grip and assemble Spray Assembly to Hose. Tighten with wrench. Insure O-ring is in place prior to assembling (see illustration E). NOTE: Additional O-rings are provided in a plastic bag. Realign Spray Head Hook on Riser and tighten. Tighten all Wall Bracket Screws.

POSITIVE SEAL-O-RING CONSTRUCTION ELIMINATES NEED FOR WASHERS

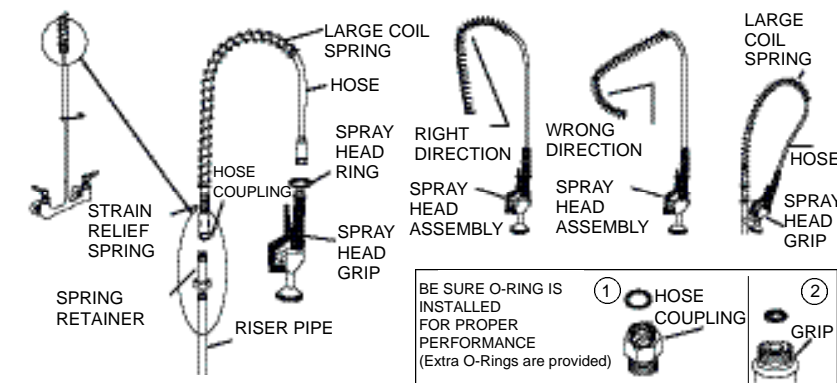


ILLUSTRATION E